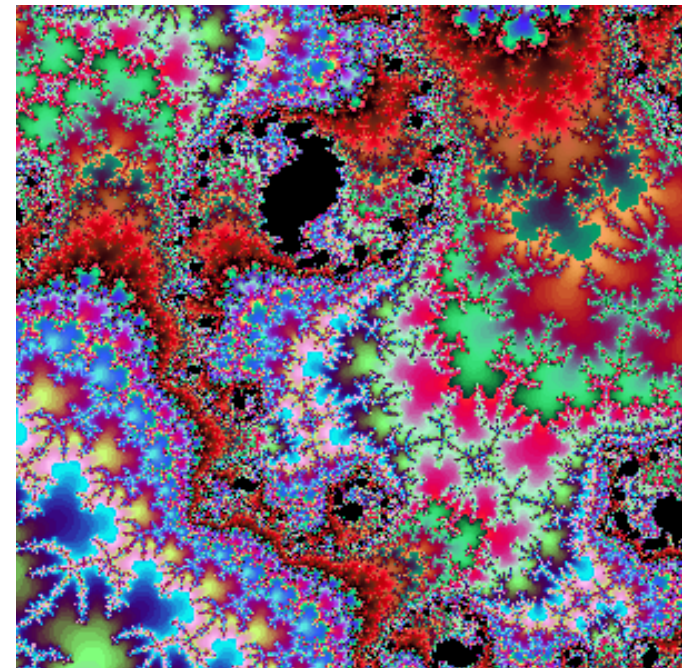


2.009 Product engineering processes

iteration is the autobahn to improvement



2.009 Product Engineering Processes

Today

Assembly review details

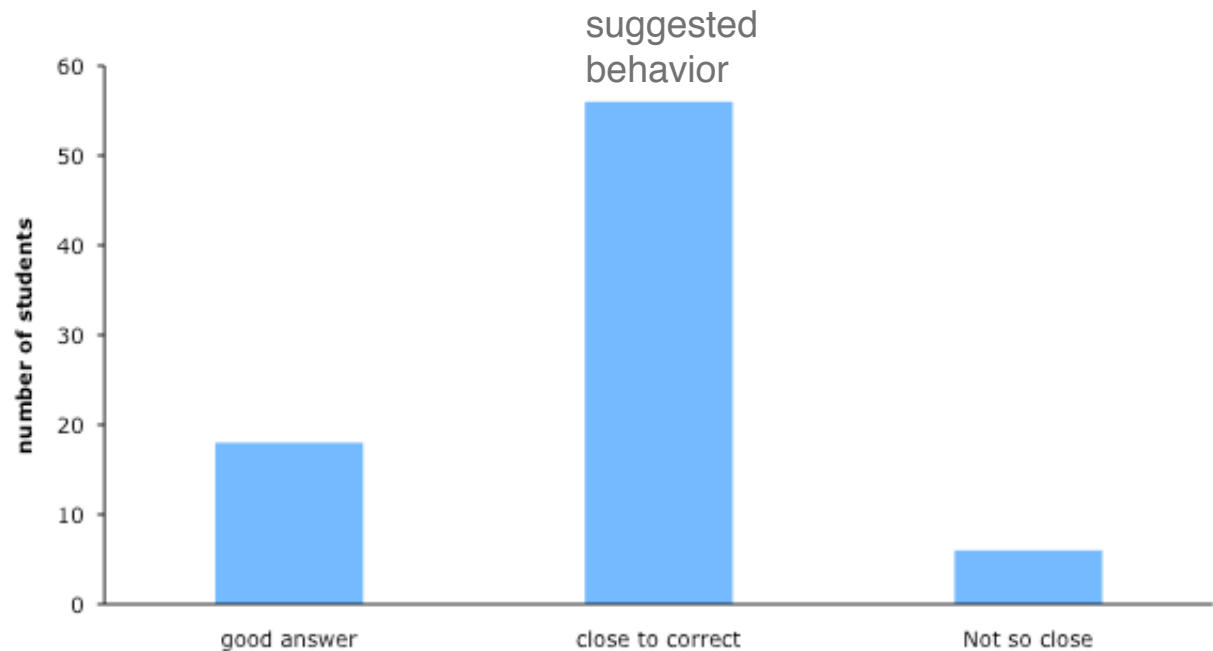
Consulting strategy and preparation for assembly review

But first...

what is an ethic?

a code of behavior or conduct justified according to a reasoned value system

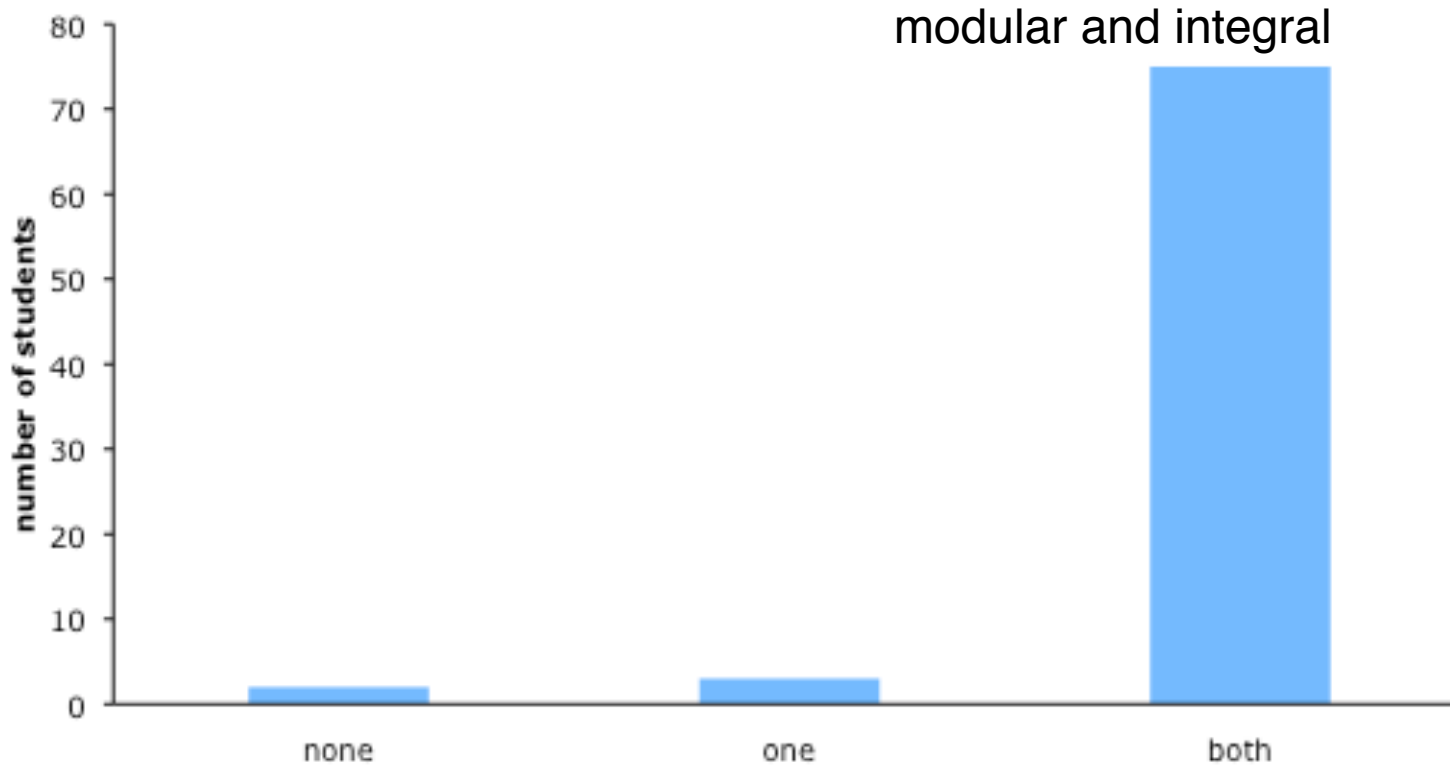
“something all politicians are lacking”



Product architecture

name two product architectures

inherent to design, not an add-on
probably modular unless it can't be



Modular architecture

characteristics

task allocation and out-sourcing

economies of scale

reuse/standardization for developing new products

maintenance

adaptation/mass customization (combinatorial design)

Integrated architecture

characteristics

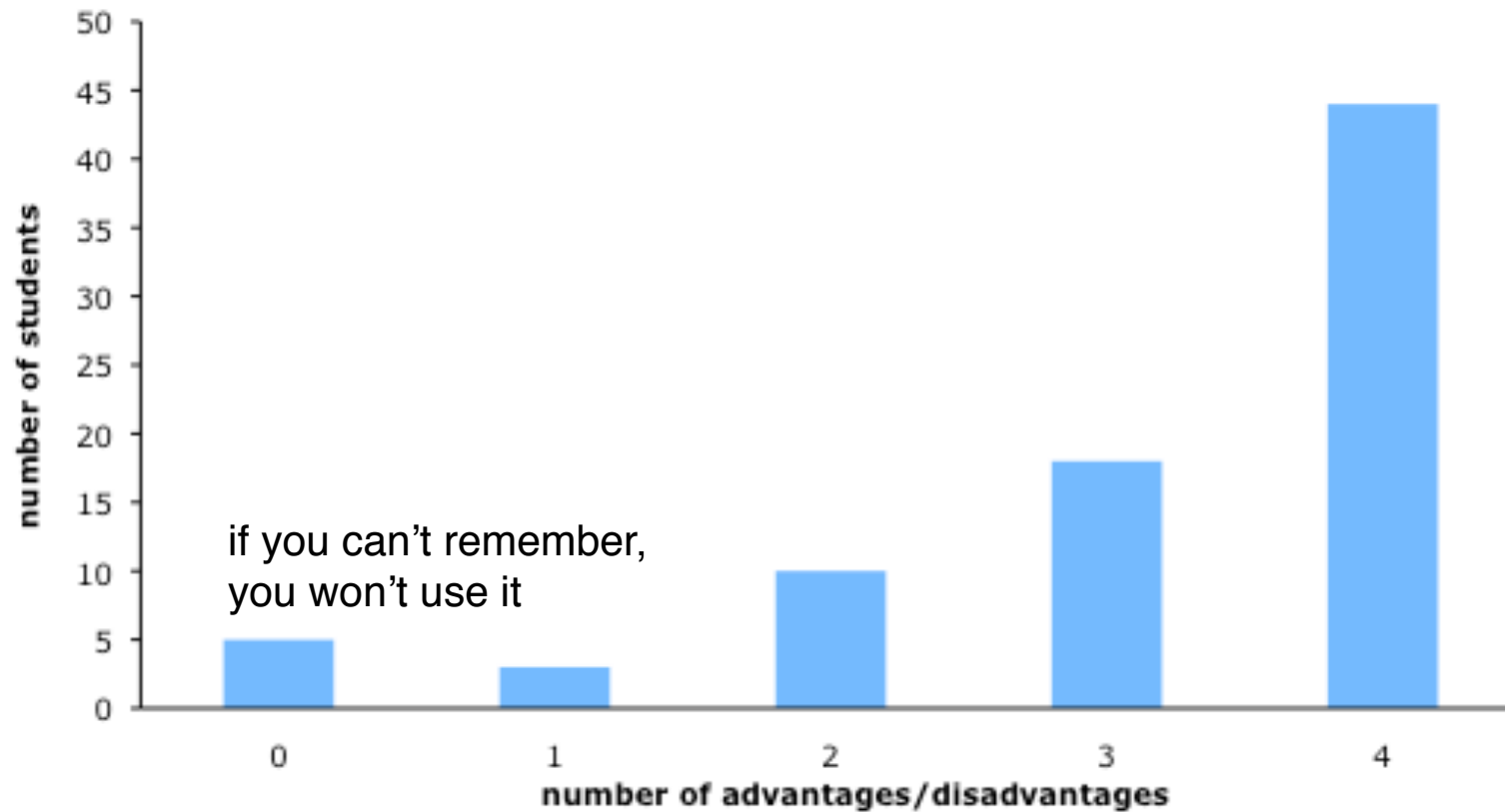
Performance: modularity can mean performance sacrifices especially when performance is $f(\text{size, shape, mass})$

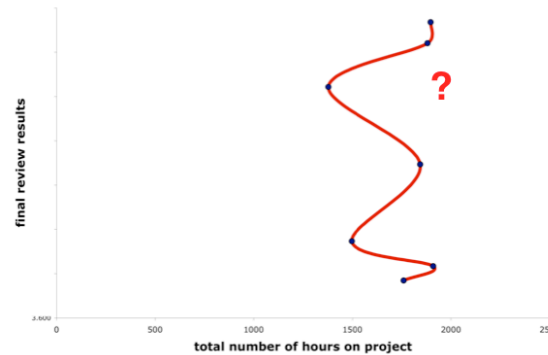
it is easier to optimize overall system with an integrated architecture

keep in mind as you define your product's structure

Product architecture

list an advantage for each architecture





it's not just about doing...

**it's about
thinking about what you are doing**

Assembly review

Overview

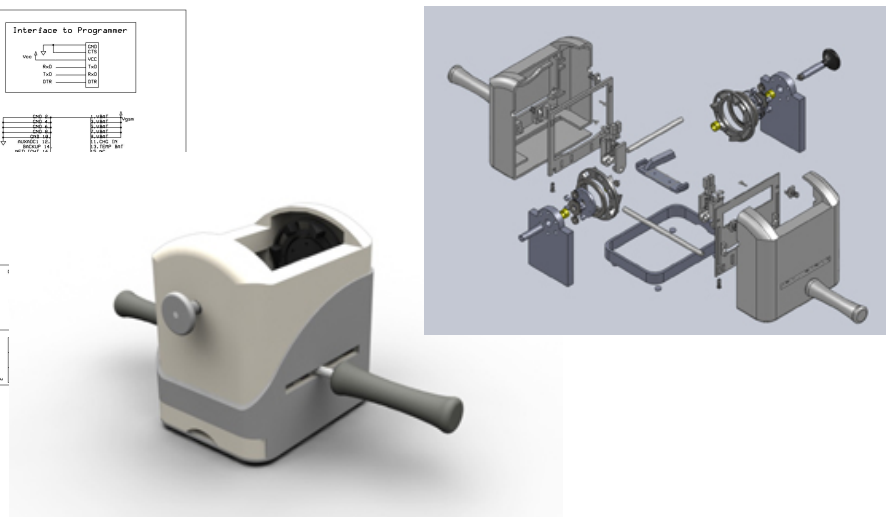
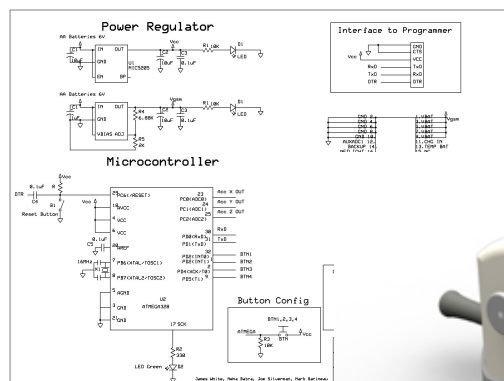
digital submission 5 PM, Tuesday November 1 (red, green, blue, yellow)

digital submission 5 PM, Thursday November 3 (pink, orange, purple, silver)

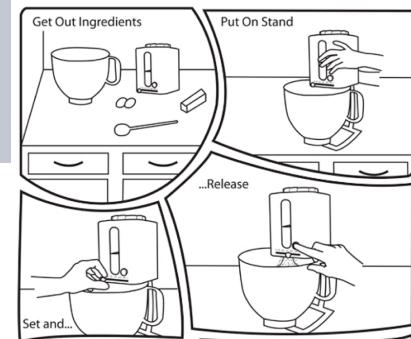
jpg image(s) of assembly, CAD files, list of who-did-what, product contract

should include product variations

might include user storyboards, circuit designs, etc.



The Flour Pot



And before we go to Pappalardo

Reminders

Tutorial today 4 PM in 35-125

Ilan: Solidworks insider tips

Melody: getting started with Solidworks

Final codes of conduct today 5 PM (drwallace)