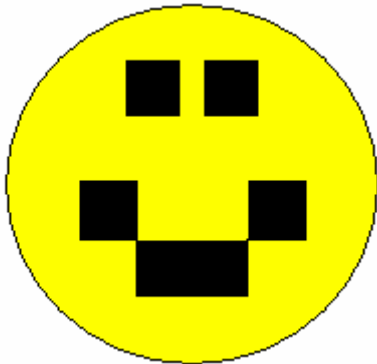


Digital Poker

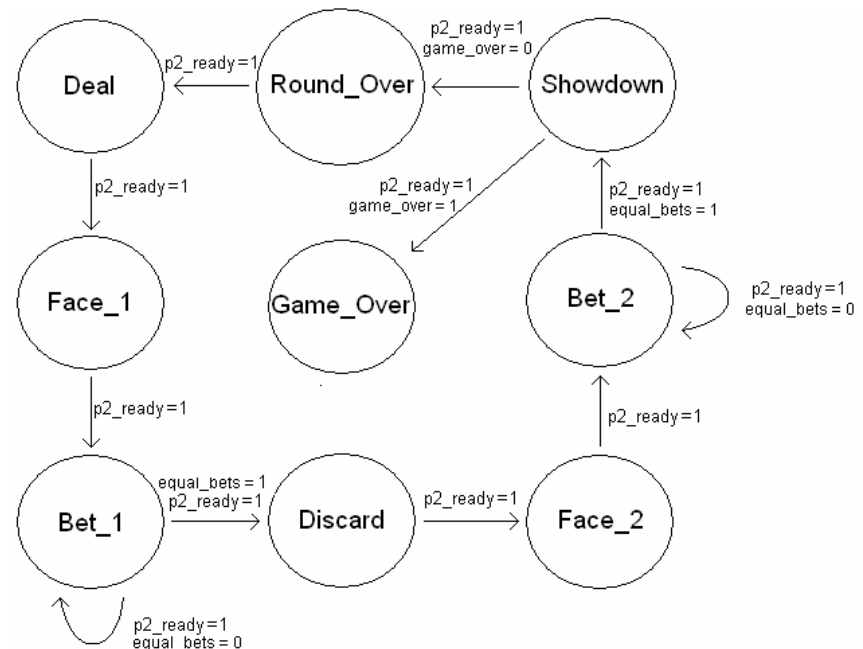


Amy Daitch
Elizabeth Murnane

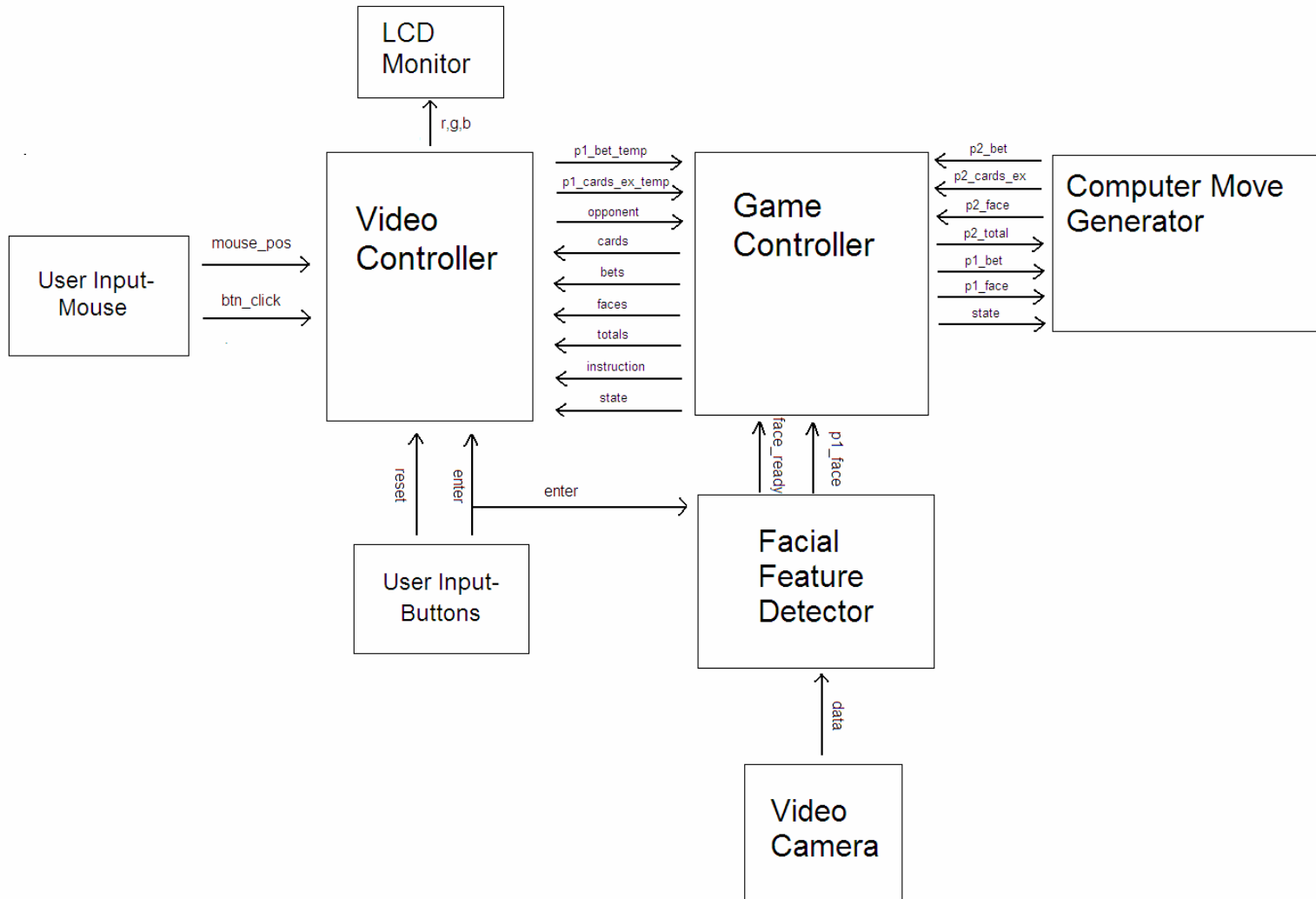


Game Overview

- 5 Card Draw
 - 1 Player vs. Computer
 - Opponent personalities
 - Poker faces
 - 52 card deck
 - Randomized deal
 - Bet periods
 - Multiple games possible



Top Level Block Diagram

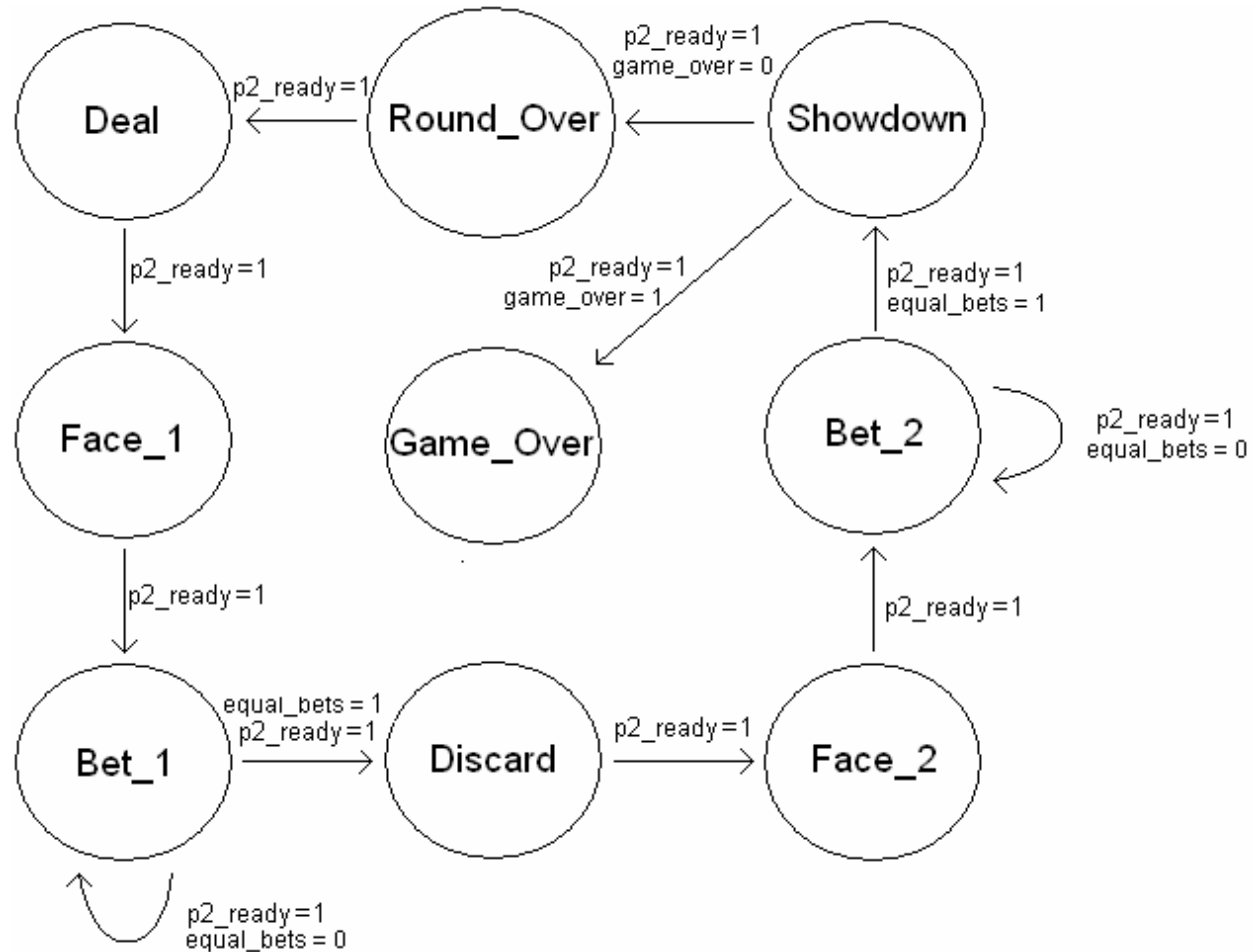


Game Controller

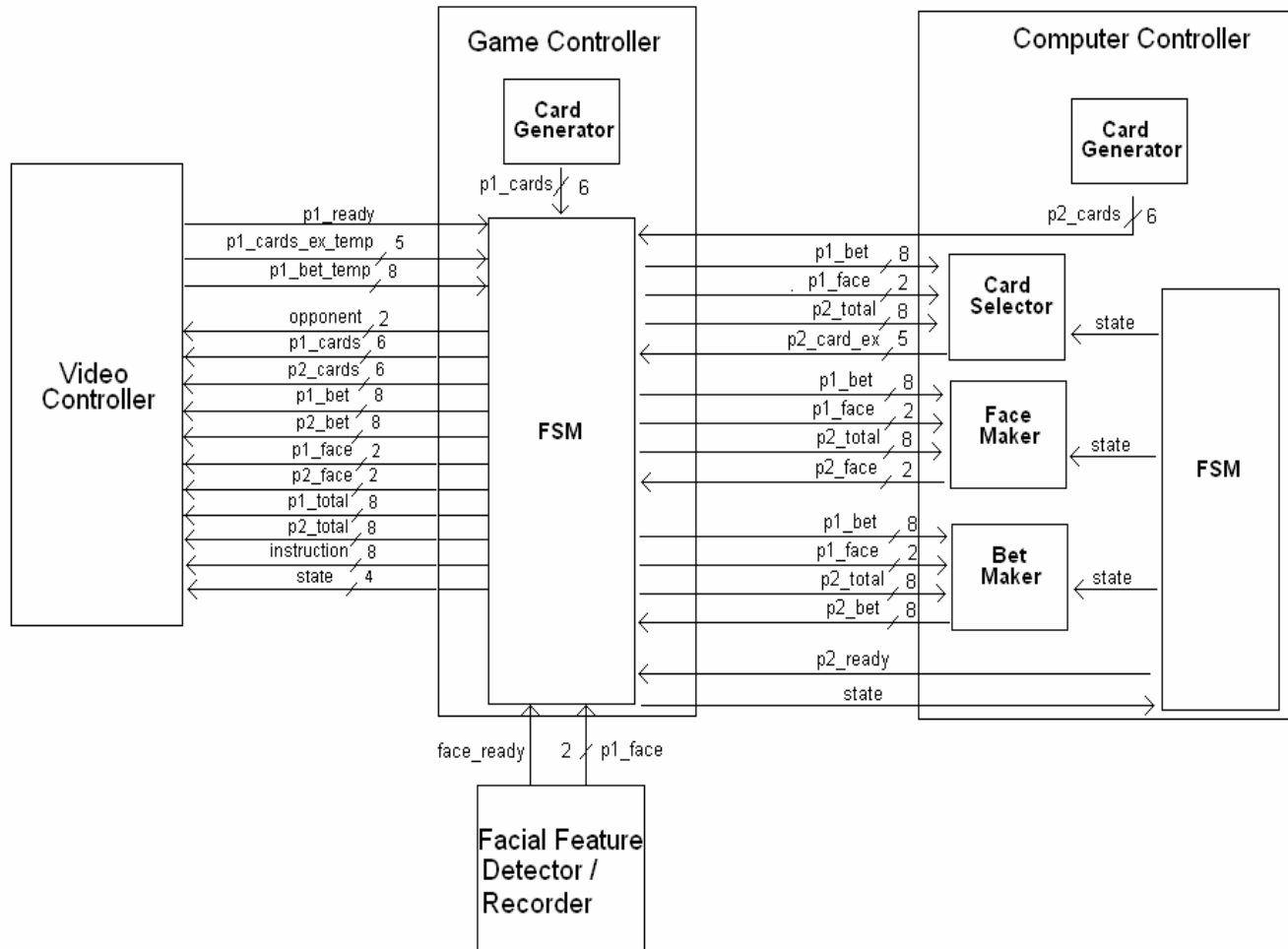
- Accepts user inputs from mouse and Facial Feature detector.
- Tells computer what it should be doing
- Processes both players' game parameters
- Outputs game instructions and both players' bets, faces, cards, and total money to the video unit

Game Control

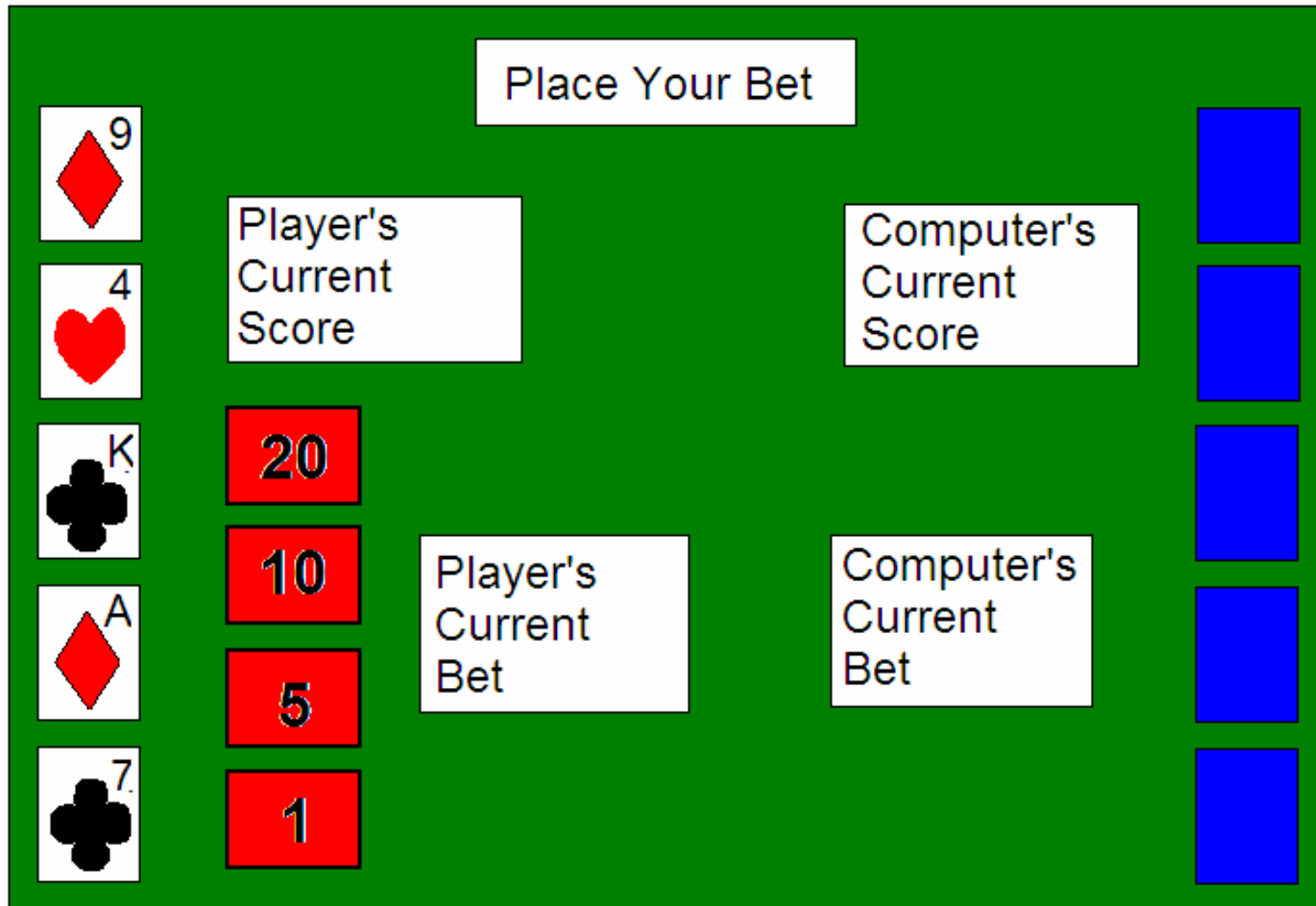
- FSMs direct play



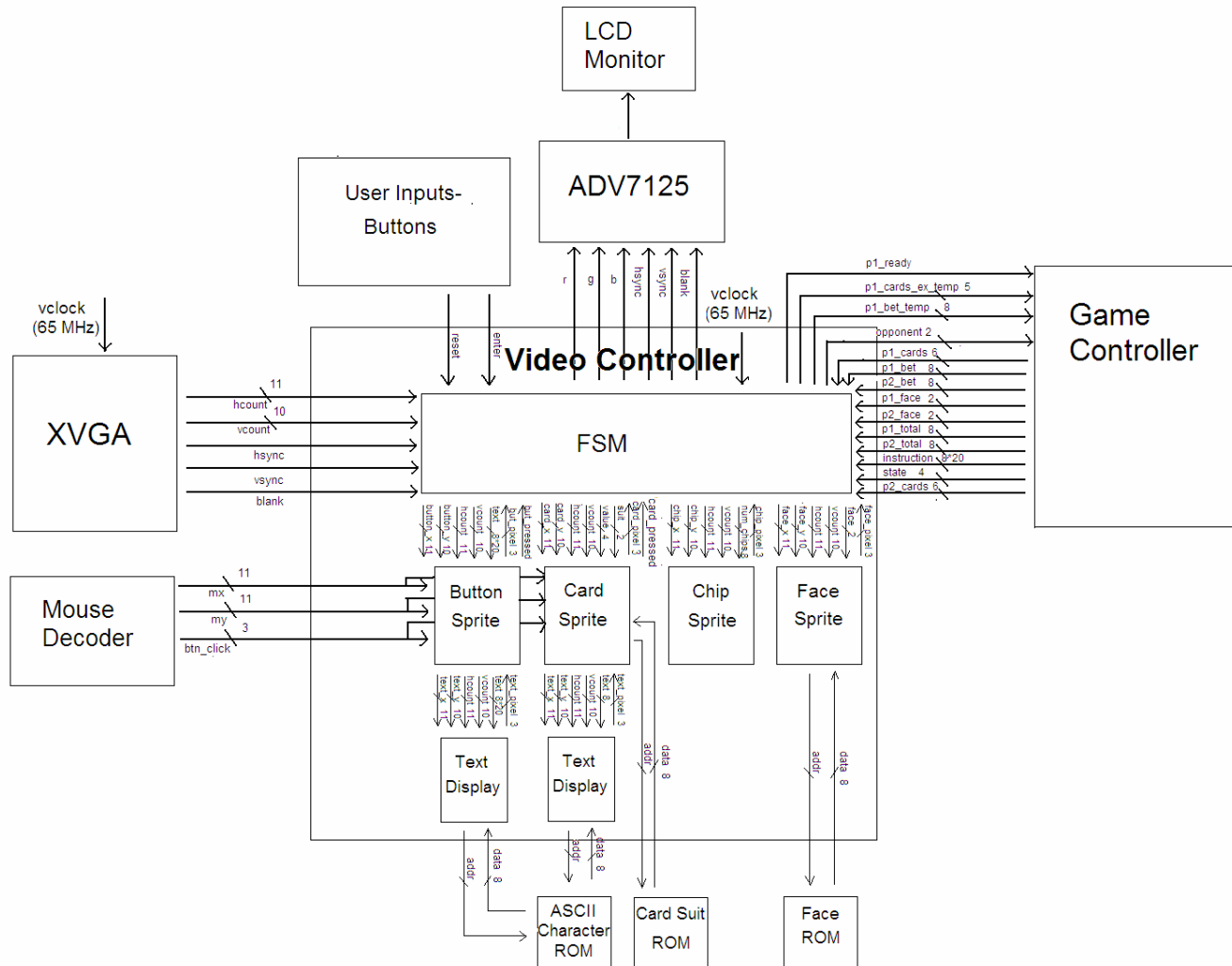
Game Control



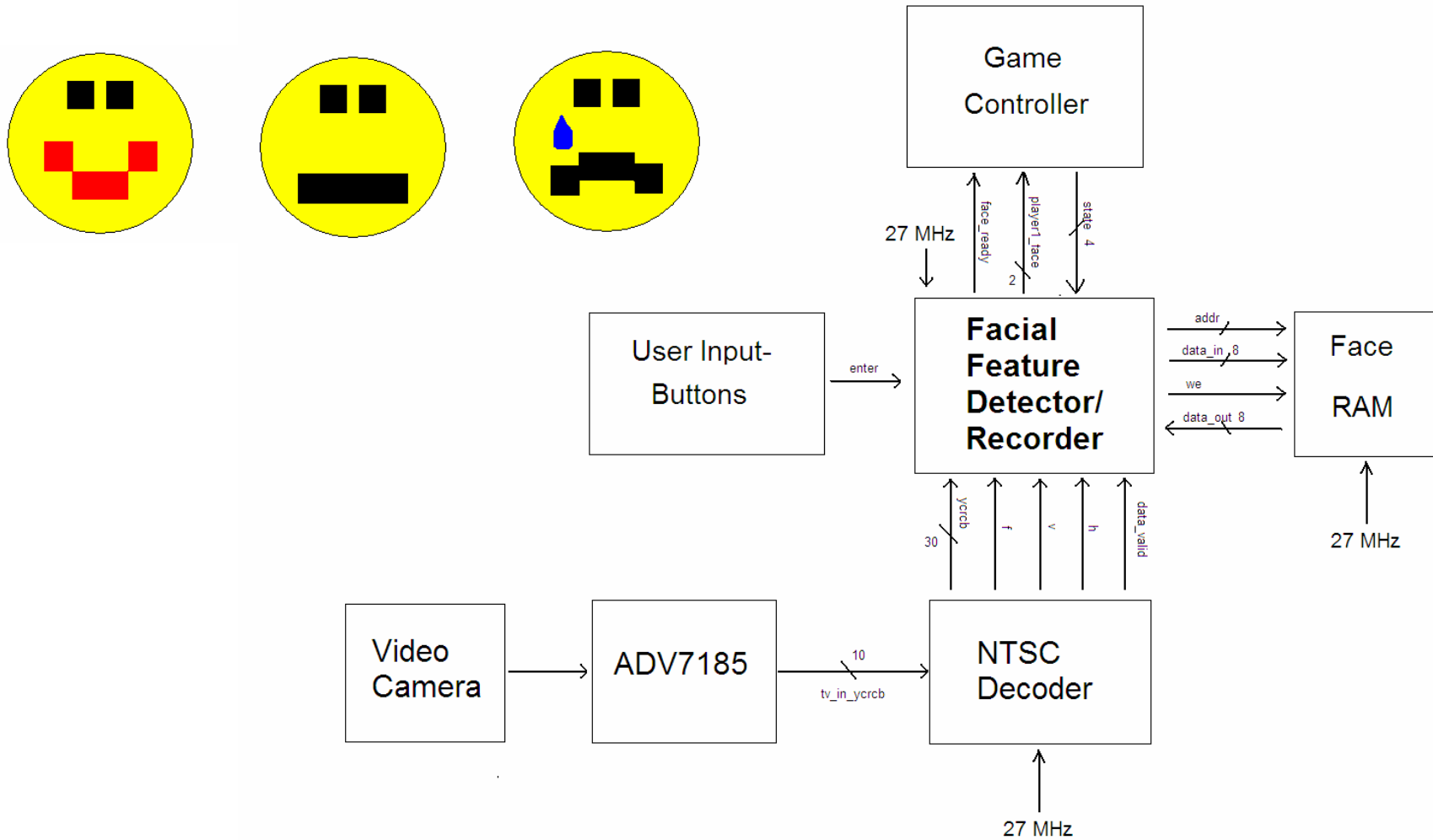
Video Display- Sample Configuration



Video Controller



Facial Feature Detector



Questions?

No? Okay, Great!