

mp3 player

Alma Rico and Amy Wibowo



functionality

- **Audio**

- Play mp3's stored in memory
- Volume control
- Additional Possible Features:
 - Download capability

- **Display**

- Displays play list
- Highlights chosen song
- Additional Possible Features:
 - Song tracking bar
 - Volume display



display

TRULY, MADLY, DEEPLY
AMERICAN GIRLS

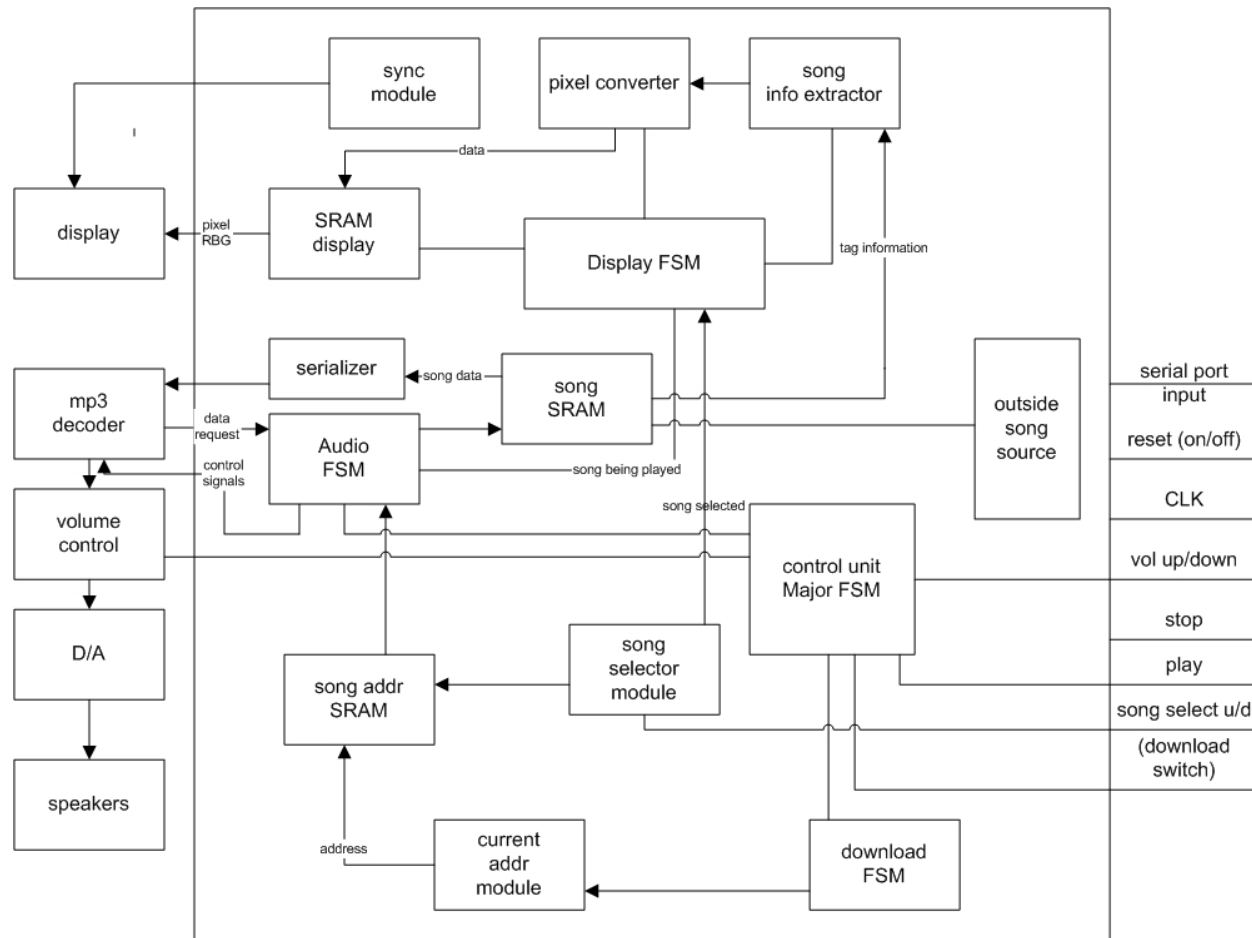
HEY JUDE

▶ CLOCKS

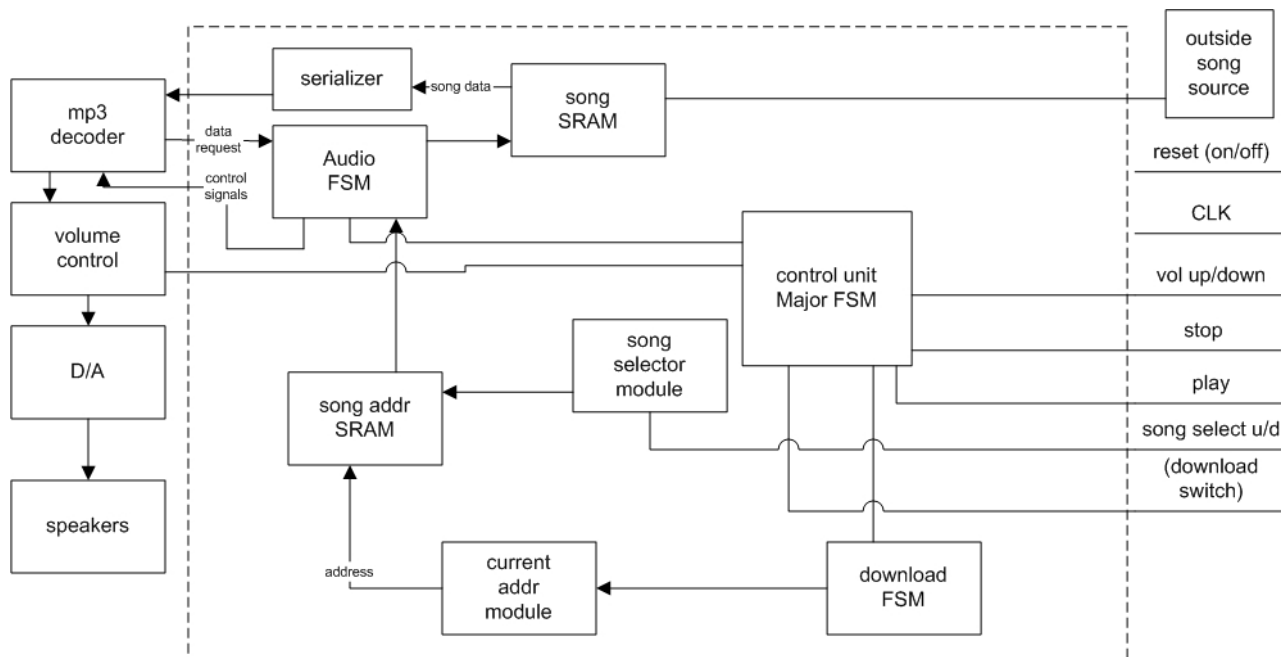
MRS. ROBINSON



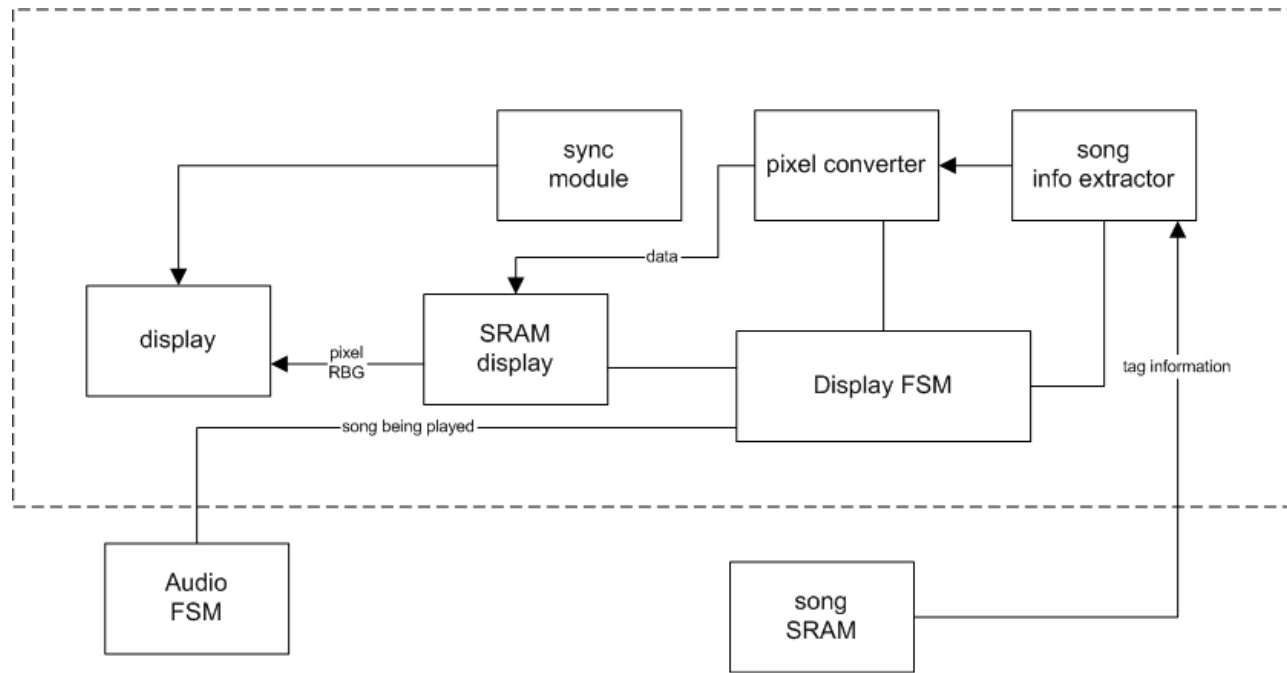
block diagram



block diagram - audio

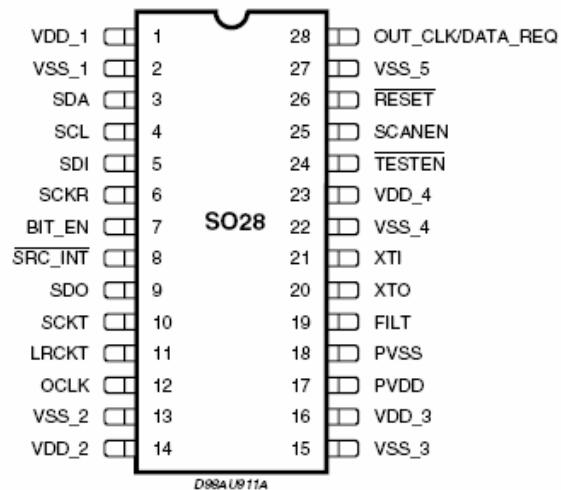


block diagram - video



STA013-mp3 decoder

- Initialization using I²C communication
- Multimedia Mode
 - automatically detects bitrate of mp3 data
 - Generates control signals for DAC



time line

Audio

- Configure mp3 decoder (Tue, 4/26)
- Download 1 song to SRAM and play it back (Fri, 4/29)
- User interface with buttons (Mon, 5/3)
- Add support for user upload of multiple songs



time line

Display

- Display patterned screen (Tue, 4/26)
- Display characters from SRAM to the screen (Sun, 5/1)
- Extract song information from an mp3 file and save it to RAM (Tue, 5/4)
- Connect play list with interface (user select) (Wed, 5/5)





Danime