

**GENERAL INFORMATION**

The present *spare parts* list enables one to order exactly the right spare parts.

When ordering specify:

- 1) the part's code number followed by its description;
- 2) the motorcycle's serial number, stamped on the steering head.

Reference to right and left apply to the vehicle in terms of its direction of movement.

**VALIDIT**

- f.m.** Until V.I.N.
- d.m.** From V.I.N.
- f.m.m.** Up to engine number
- d.m.m.** From engine number

- RED motorcycle
- ◆ GREY motorcycle
- BLACK motorcycle
- ▲ YELLOW motorcycle
- ▼ BLUE motorcycle

*All data are subject to modification without prior notice.*

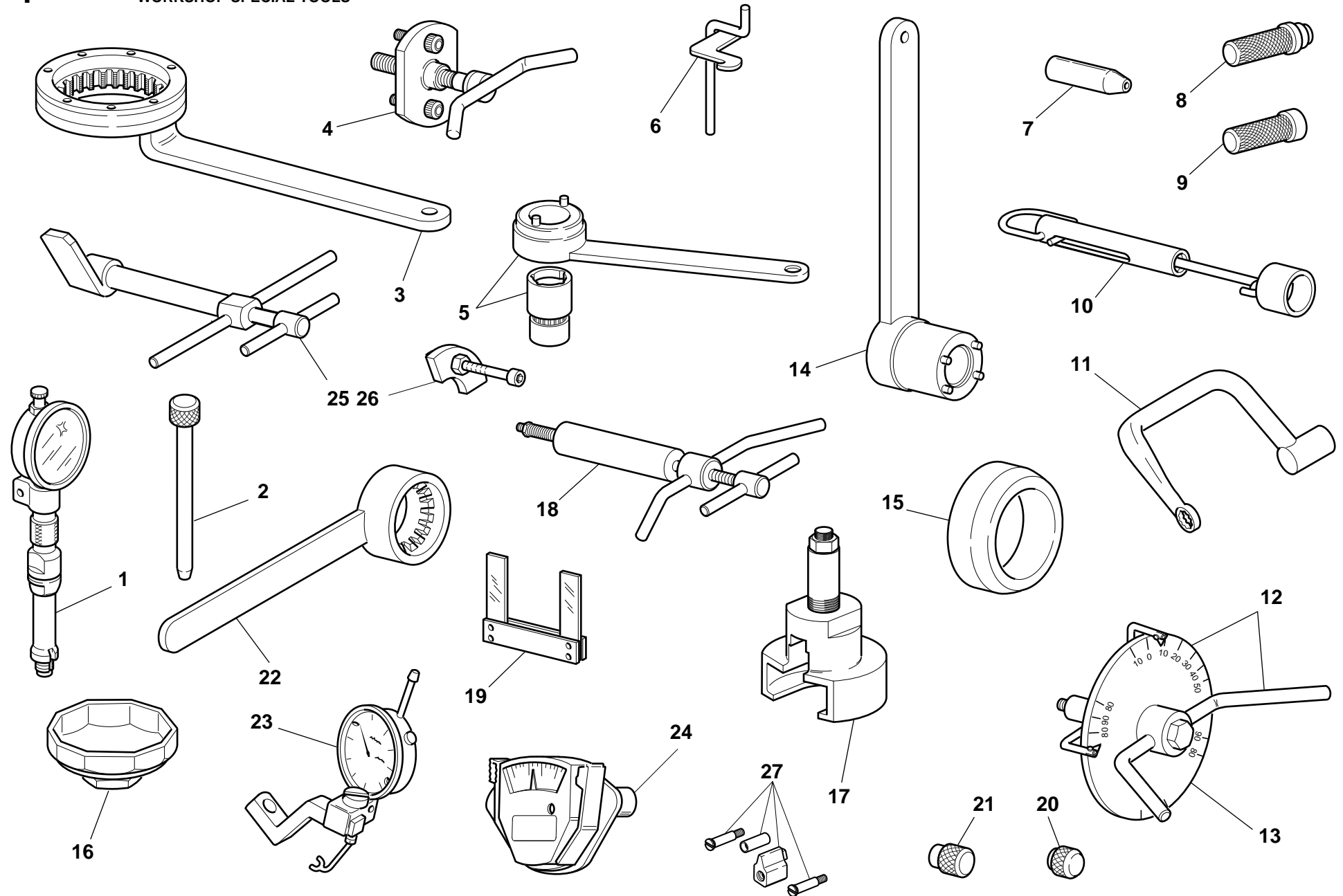
**DUCATI MOTOR S.p.A.**  
*Uffici Commerciali Amministrativi:*  
Via A. Cavalieri Ducati n. 3  
40132 Bologna, Italy  
Telefono 39 51 6413111  
Fax 39 51 406580  
Internet [www.ducati.com](http://www.ducati.com)



**CONTENS**



5	001	WORKSHOP SPECIAL TOOLS	97	045	SIDE PANNIERS
7	001.1	WORKSHOP SPECIAL TOOLS	99	046	FUELL INFEED
9	001.2	DIAGNOSIS TESTER MATHESIS	101	047	MARKING PLATES
11	002	GEARCHANGE			
13	003	GEAR-BOX			
15	004	CLUTCH			
17	005	CLUTCH COVER			
19	006	CRANKSHAFT			
21	007	CYLINDERS - PISTONS			
23	008	TIMING			
25	009	FILTERS AND OIL PUMP			
27	010	HALF CRANKCASES			
29	011	WATER PUMP - ALTERNATOR COVER			
31	012	ELECTRIC STARTER AND IGNITION			
33	013	HEAD: TIMING			
35	014	VERTICAL HEAD			
37	015	HORIZONTAL HEAD			
39	016	THROTTLE BODY			
41	017	EXHAUST SYSTEM			
43	018	STANDS			
45	019	FRAME			
47	020	L.H. FOOT RESTS			
49	021	R.H. FOOT RESTS			
51	022	HEADLIGHT HOLDER			
53	023	HEAD-LIGHT AND ELECTRIC WIRING			
55	024	INSTRUMENT PANEL			
57	025	HANDLEBAR AND CONTROLS			
59	026	FRONT FORK			
61	027	CLUTCH CONTROL			
63	028	FRONT HYDRAULIC BRAKE			
65	029	WATER RADIATOR ASSY			
67	030	COOLING CIRCUIT			
69	031	ELECTRIC SYSTEM			
71	032	BATTERY BOX MOUNT			
73	033	AIR INDUCTIO AND OIL VENT			
75	034	SWINGARM AND CHAIN			
77	035	REAR SUSPENSION			
79	036	REAR HYDRAULIC BRAKE			
81	037	WHEELS			
83	038	NUMBER PLATE HOLDER			
85	039	SEAT			
87	040	FUEL TANK			
89	041	FUEL SYSTEM			
91	042	HEADLIGHT FAIRING			
93	043	FAIRING			
95	044	PANNIERS FASTENS			

DRAWING **1** WORKSHOP SPECIAL TOOLS



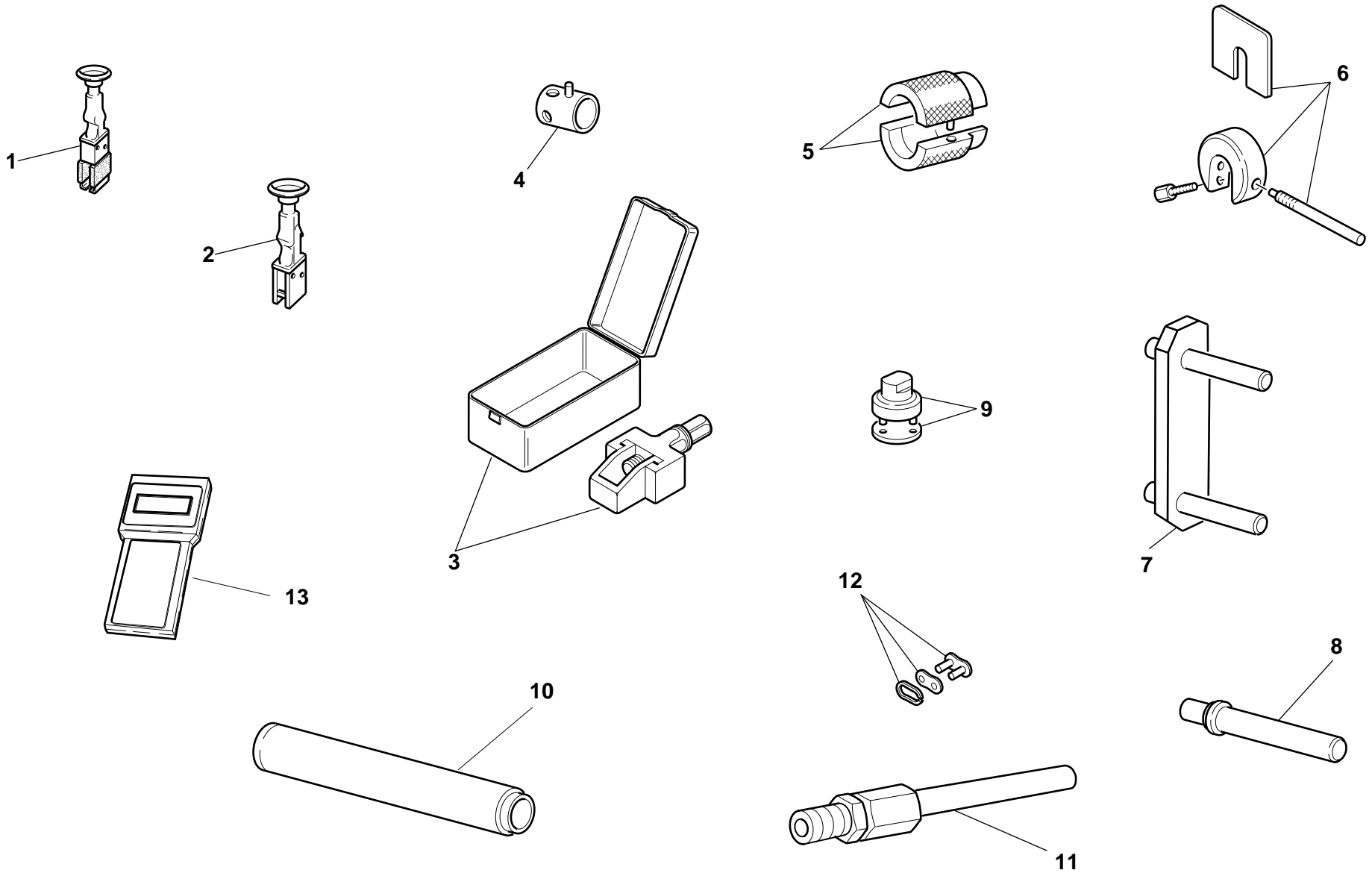
DRAWING 1

## WORKSHOP SPECIAL TOOLS


NOTES	NO.	CODE NO.	DESCRIPTION	VALIDITY	Q.TY		NOTES	NO.	CODE NO.	DESCRIPTION	VALIDITY	Q.TY	
	1	88765.0968	T.D.C. control gauge		1		20	0000.44120	Spacer for checking lower valve shim			1	
	2	88713.0262	Pin for assembling rocker arms		1		21	0000.44119	Spacer for checking lower valve shim			1	
	3	88713.0146	Clutch drum holder wrench		1		22	88713.0710	Alternator holder wrench for tightening nut			1	
	4	88713.0144	Extractor for removal of chain/generator cover		1		23	88765.1058	Valve lift gauge			1	
	5	88700.5644	Timing belt rollers holder wrench		1		24	051.2.001.1A	Torque wrench for timing belt			1	
	6	88713.0143	Tool for assembling closing rocker and spring		1		25	88713.1215	Tool to assemble the steering pipe bearings			1	
	7	88700.5749	Crankcases assembling cap		1		26	88713.1091	Plate for positioning gear engagement fork			1	
	8	88713.0869	Tool for assembling water pump front seal		1		27	88765.1086	Conversion kit for 4V belts tensioning tool			1	
	9	88713.0870	Tool for assembling water pump front seal		1								
	10	88713.0748	Torque wrench for timing belt		1								
	11	88713.1139	Head nuts holder wrench		1								
	12	88713.0123	Degree wheel holder tool for ignition advance check		1								
	13	98112.0002	Degree wheel		1								
	14	88713.0137	Crankshaft gear holder wrench for tightening nut		1								
	15	88700.5665	Sleeve for installing clutch bell gear		1								
	16	0675.03.210	Wrench for removing oil filter cartridge		1								
	17	88713.1178	Extractor for primary drive gear		1								
	18	88713.0120	Rocker shaft extractor		1								
	19	88765.1000	Fork feeler gauge 0.1 mm		1								
	19	88765.1005	Fork feeler gauge 0.2 mm		1								
	19	88765.1006	Fork feeler gauge 0.3 mm		1								

DRAWING 1.1

WORKSHOP SPECIAL TOOLS



DRAWING **1.1** **WORKSHOP SPECIAL TOOLS**

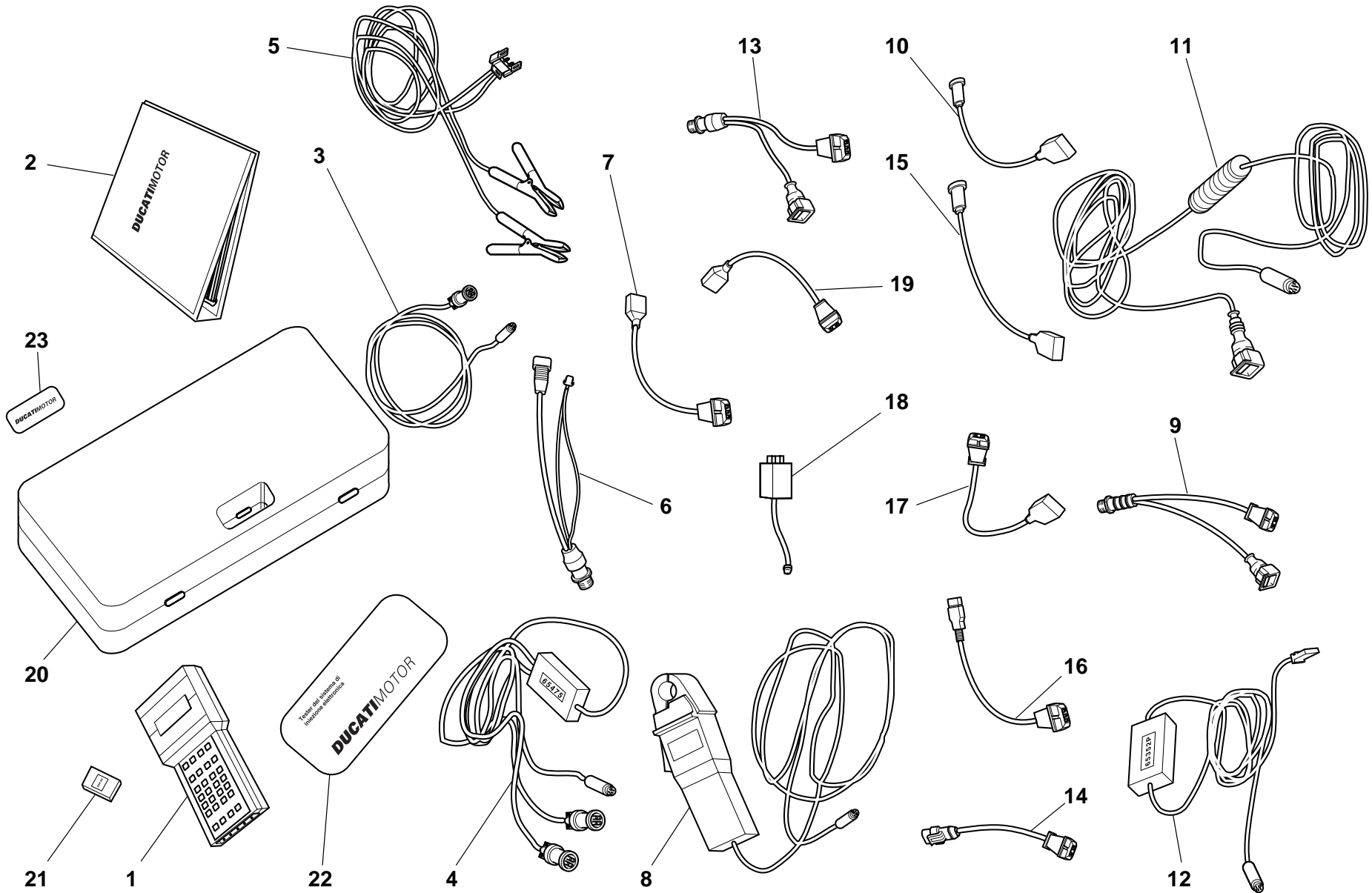
NOTES	NO.	CODE NO.	DESCRIPTION	VALIDITY	Q.TY	
	1	88713.1097	EPR0M extractor		1	
	2	88713.1140	EPR0M chip introducing		1	
	3	88713.1344	Tool for assembling chain		1	
	4	0000.70139	Wrench for front wheel spindle		1	
	5	88713.0960	Tool for overhauling SHOWA forks - assembling seal ring		1	
	6	88713.0957	Tool for holding SHOWA fork spacer		1	
	7	88713.1515	Frame/engine mount		1	
	8	88713.1071	Stopper for assembling the rocker needle bearings		1	
	9	88713.1058	Wrench for assembling the steering head cap		1	
	10	88713.1072	Stopper for driving the half bearing of the steering head base		1	
	11	88713.1010	Union for exhaust gas suction		1	
	12	677.4.003.1A	Coupling		1	
	13	88765.1068	Check instrument		1	
GB	13	88765.1069	Check instrument		1	
D	13	88765.1070	Check instrument		1	
F	13	88765.1071	Check instrument		1	
E	13	88765.1072	Check instrument		1	

NOTES	NO.	CODE NO.	DESCRIPTION	VALIDITY	Q.TY	
-------	-----	----------	-------------	----------	------	---

DRAWING


# 1.2


## DIAGNOSIS TESTER MATHESIS





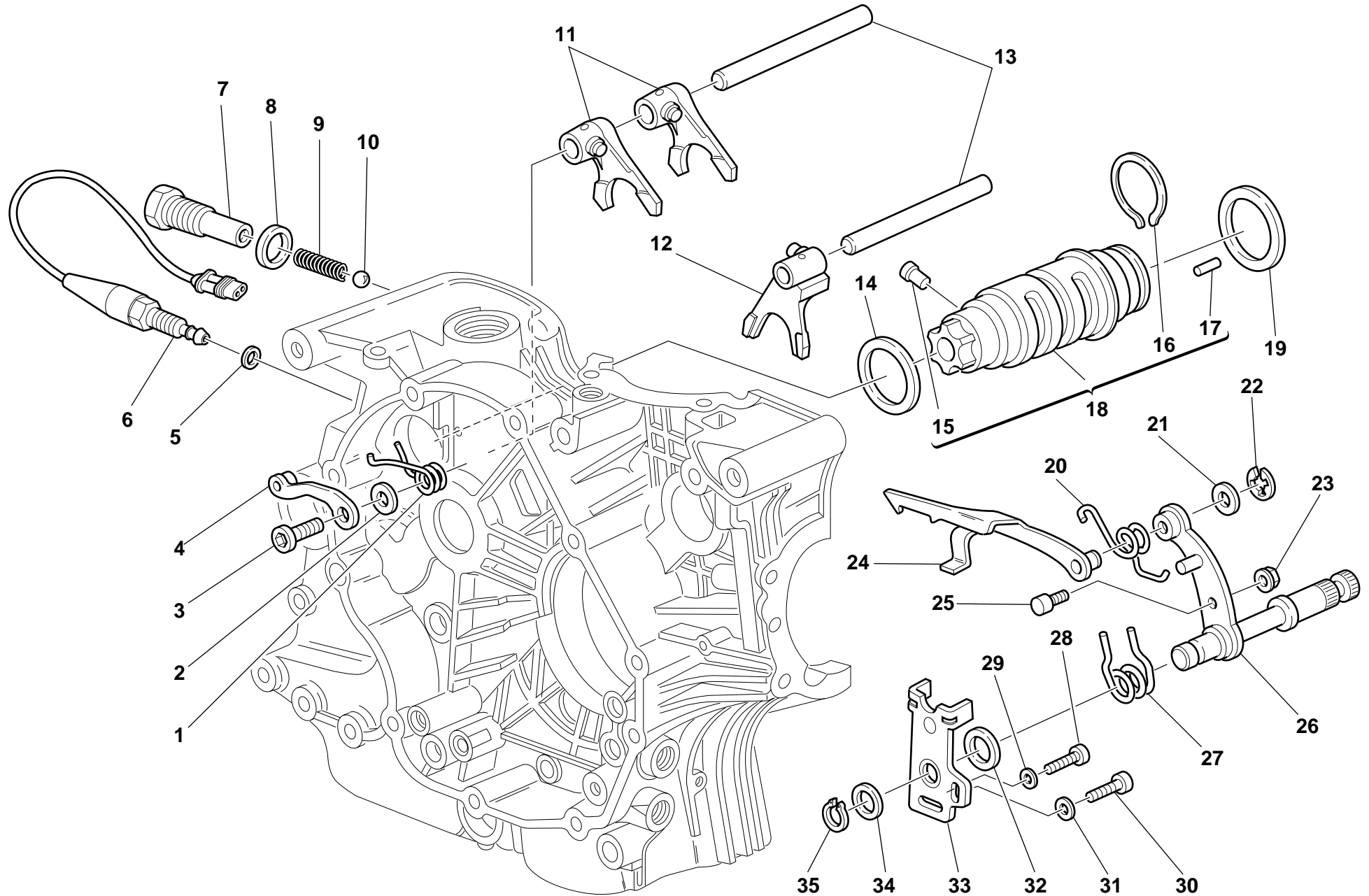
DRAWING **1.2****DIAGNOSIS TESTER  
MATHESIS**

NOTES	NO.	CODE NO.	DESCRIPTION	VALIDITY	Q.TY	
	1	88765.1126Z	Bare Mathesis		1	
	2	914.7.023.1A	Italian manual		1	
	2	914.7.023.1C	German manual		1	
	2	914.7.023.1D	Franch manual		1	
	2	914.7.023.1E	Spanish manual		1	
	2	914.7.023.1B	English manual		1	
	3	88765.1126R	Main cable Mathesis		1	
	4	88765.1126A	Pickup Control cable		1	
	5	88765.1126Q	Battery mains cable		1	
	6	88765.1126	Mains cable adapter for self diagnosis		1	
	7	88765.1126N	Sensor for absolute pressure sampling		1	
	8	88765.1126V	Amperometer plier		1	
	9	88765.1126E	Adapter for 3 wires Pickup test cable		1	
	10	88765.1126P	Sensor for air temperature sampling		1	
	11	88765.1126C	Cable for potentiometer adjustment		1	
	12	88765.1126B	Test cable and speed indicator adjustment		1	
	13	88765.1126F	Adapter for 2 wires Pickup test cable		1	
	14	88765.1126D	Adapter for potentiometer adjustment		1	
	15	552.4.028.1A	Sensor for small throttle potentiometer sampling		1	
	16	88765.1126H	Sensor for throttle potentiomer sampling		1	



NOTES	NO.	CODE NO.	DESCRIPTION	VALIDITY	Q.TY	
	17	88765.1126G	Sensor for air/water temperature sampling		1	
	18	88765.1126M	Sfety remote switch		1	
	19	88765.1126L	2 Wires sampling Pickup sensor		1	
	20	88765.1126U	Case with sponge		1	
	21	88765.1074	English memory card		1	
	21	88765.1075	German memory card		1	
	21	88765.1073	Italian memory card		1	
	21	88765.1076	French memory card		1	
	21	88765.1077	Spanish memory card		1	
	22	88765.1126S	DUCATI sticker for case		1	
	23	88765.1126T	DUCATI sticker RH/LH side		1	

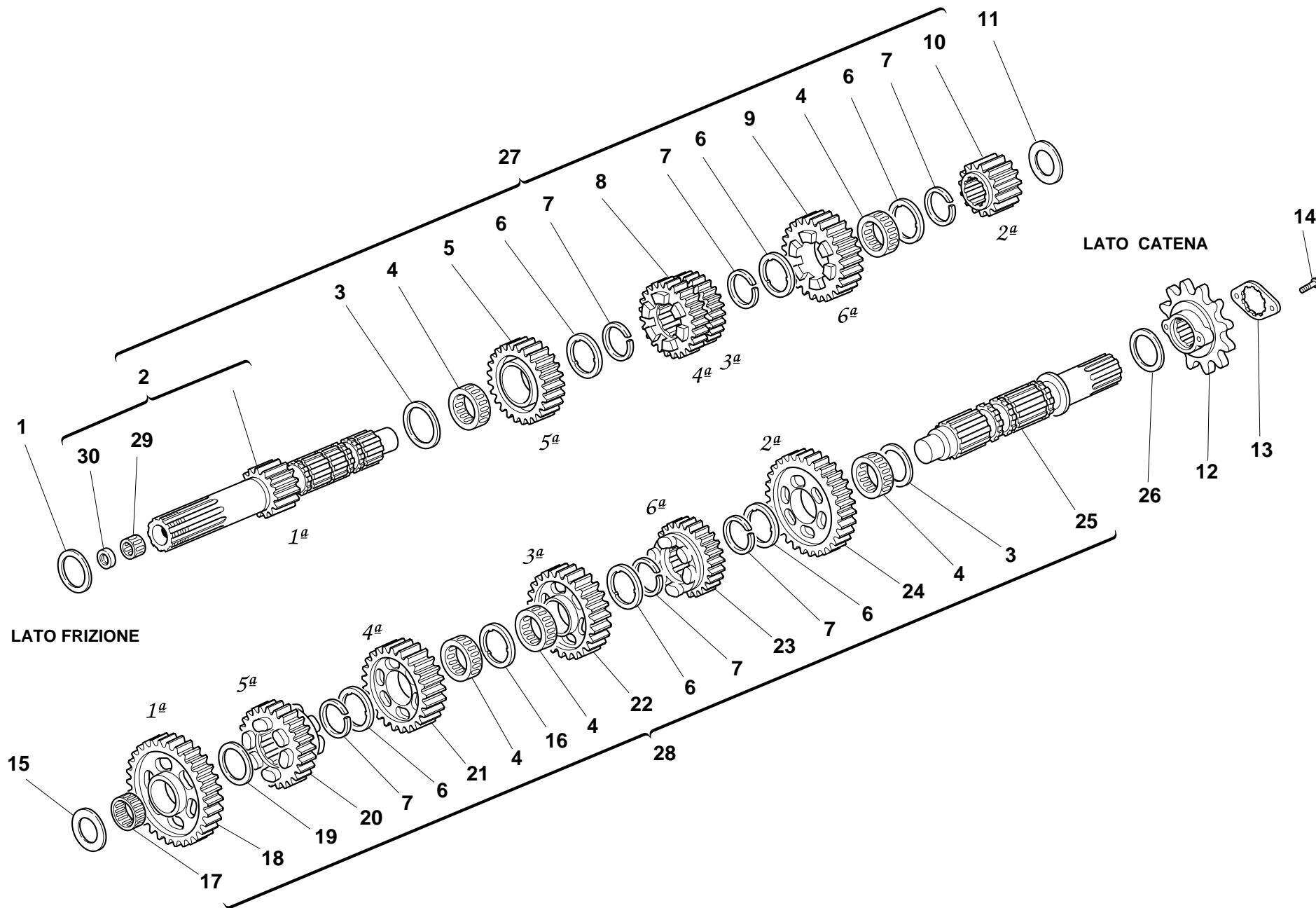
DRAWING 2

GEARCHANGE



DRAWING **2** GEARCHANGE


NOTES	NO.	CODE NO.	DESCRIPTION	VALIDITY	Q.TY		NOTES	NO.	CODE NO.	DESCRIPTION	VALIDITY	Q.TY	
	1	799.1.049.1A	Return spring		1		21	0765.92.205	Shim th. 0.2			2	
	2	852.1.053.1A	Washer		1		22	0214.07.350	Ring			1	
	3	779.1.039.1A	Special screw		1		23	750.5.001.1A	Nut			1	
	4	455.2.003.1A	Gear stopper assembly		1		24	180.1.008.1A	Gearbox drum control fork			1	
	5	420.2.000.8A	Copper gasket		1		25	0660.13.165	Gearchange lever pin			1	
	5	0504.03.085	Gasket th.1,5		1		26	821.1.001.1A	Pin with gearchange lever			1	
	5	0150.92.280	Gasket th.2		1		27	0799.13.110	Gearchange lever return spring			1	
	5	852.1.111.1A	Gasket th.0.5		1		28	60N102509	Screw			1	
	6	539.4.020.1A	Switch		1		29	462.3.003.8A	Washer			1	
	7	0660.13.133	Push rod holder		1		30	771.5.122.2B	Screw			1	
	8	0272.91.090	Gasket		1		31	462.3.003.7A	Washer			1	
	9	0660.13.143	Gear selector spring		1		32	881.1.012.1A	Centering ring			1	
	10	76835.1134	Ball		1		33	826.1.009.1A	Stopper plate			1	
	11	180.1.001.1A	1st,4th-2nd,3rd gear selector fork		2		34	0400.29.126	Shim th. 0.5			1	
	12	180.1.002.1A	5th,6th gear selector fork		1		34	0400.29.125	Shim th. 0.2			2	
	13	0660.13.070	Fork pin		2		35	73500.1542	Circlip			1	
	14	852.1.005.1A	Shim th. 1		1								
	15	0660.13.045	Neutral light operating pin		1								
	16	882.1.006.1A	Needle retaining ring (square cross-section)		1								
	17	821.1.070.1A	Special roller (square cross-section)		6								
	18	182.2.006.2B	Complete gearbox drum		1								
	19	0660.13.060	Shim th. 1		1								
	19	852.1.094.1A	Shim th. 0.9		1								
	20	799.1.025.1A	Fork return spring		1								
	21	0400.09.050	Washer		1								



DRAWING **3****GEAR-BOX**

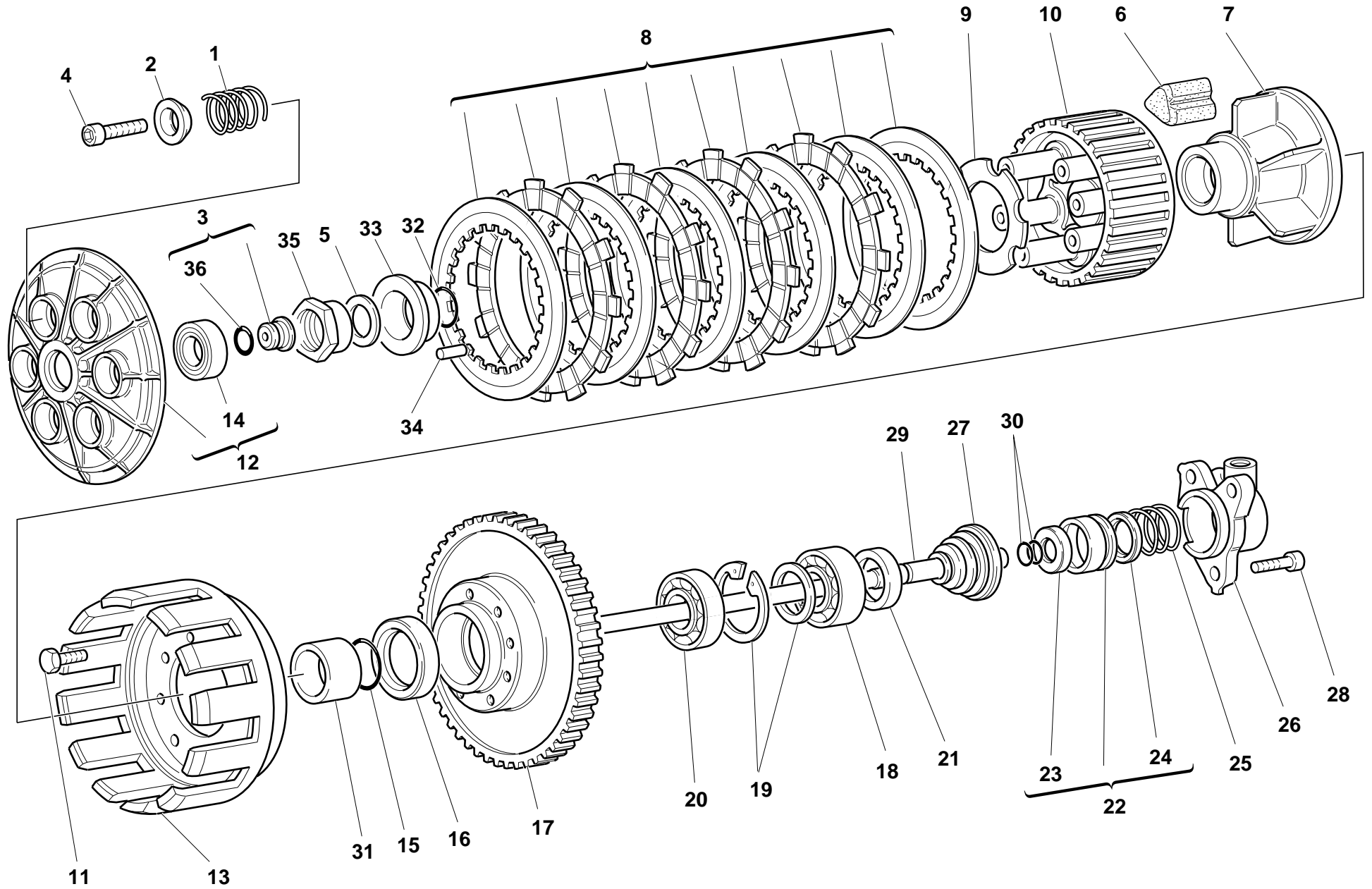
NOTES	NO.	CODE NO.	DESCRIPTION	VALIDITY	Q.TY	
	1	852.1.108.1AH	Shim th. 0.9		1	
	1	0251.47.050	Shim th. 1		1	
	1	852.1.108.1AL	Shim th. 1,1		1	
	1	0251.47.054	Shim th. 1.2		1	
	1	852.1.108.1AN	Shim th. 1,3		1	
	2	150.2.006.1A	Gearbox main shaft		1	
	3	0670.16.150	Shim th. 0.5		2	
	4	701.4.005.1A	Needle bearing		5	
	5	172.1.004.1A	Driving gear 5th sp.		1	
	6	856.1.001.1A	Grooved washer th. 0.5		6	
	7	0670.16.145	Snap ring		6	
	8	172.1.003.1A	Driving gear 3rd/4th sp.		1	
	9	172.1.005.1A	Driving gear 6th sp.		1	
	10	172.1.002.1B	Driving gear 2nd sp.		1	
	11	713.1.014.1A	Shim th. 1.5		1	
	11	713.1.014.1E	Shim th. 1.6		1	
	11	713.1.014.1B	Shim th. 1.7		1	
	11	0670.16.163	Shim th. 1.8		1	
	11	713.1.014.1F	Shim th. 1.9		1	
	11	0670.16.164	Shim th. 2		1	
	12	449.1.027.2A	Chain sprocket Z=15		1	
	13	826.1.011.1A	Sprocket keep plate		1	
	14	8A00.67997	Screw		2	
	15	0670.16.184	Shim th. 1		1	
	15	0670.16.185	Shim th. 1.2		1	
	15	713.1.014.1A	Shim th. 1.5		1	
	15	713.1.014.1E	Shim th. 1.6		1	

CATALOGUE No.: 915.1.046.1C  
ISSUED: 11 - 99



NOTES	NO.	CODE NO.	DESCRIPTION	VALIDITY	Q.TY	
	15	0670.16.164	Shim th. 2		1	
	15	0670.16.165	Shim th. 2.2		1	
	15	713.1.011.1A	Spacer th. 2.3		1	
	16	856.1.031.1A	Grooved washer th. 0.5		1	
	17	76402.0002	Needle bearing		1	
	18	172.1.006.1B	Driven gear 1st sp.		1	
	19	0670.16.155	Shim th. 1		1	
	20	172.1.010.1A	Driven gear 5th sp.		1	
	21	172.1.009.1A	Driven gear 4th sp.		1	
	22	172.1.008.1A	Driven gear 3rd sp.		1	
	23	172.1.011.1A	Driven gear 6th sp.		1	
	24	172.1.007.1B	Driven gear 2nd sp.		1	
	25	149.1.024.1A	Gearbox lay shaft		1	
	26	852.1.105.1AG	Shim th. 0.7		1	
	26	0670.16.170	Shim th. 0.8		1	
	26	852.1.105.1AB	Shim th. 0.9		1	
	26	0670.16.171	Shim th. 1		1	
	26	852.1.105.1AD	Shim th. 1,1		1	
	27	150.2.005.1A	Complete main shaft		1	
	28	150.2.035.1A	Complete lay shaft		1	
	29	76270.0827	Needle bearing		1	
	30	93783.0812	Seal ring		1	

CATALOGUE No.: 915.1.046.1C  
ISSUED: 11 - 99

DRAWING 4 CLUTCH

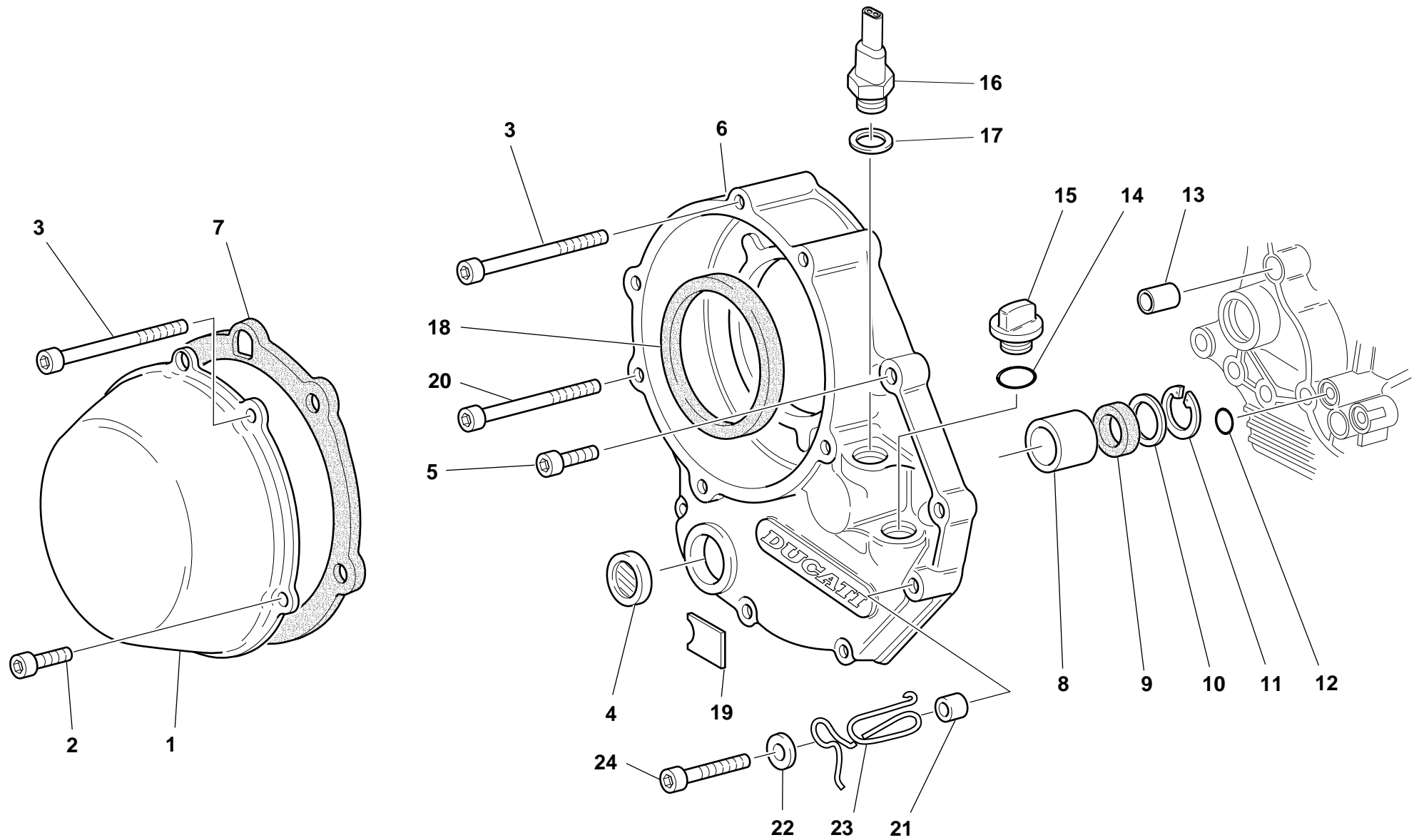


DRAWING **4** CLUTCH

NOTES	NO.	CODE NO.	DESCRIPTION	VALIDITY	Q.TY		NOTES	NO.	CODE NO.	DESCRIPTION	VALIDITY	Q.TY	
	1	0659.16.555	Clutch spring		6		28	60N107335	Screw			3	
	2	841.1.002.2A	Retainer		6		29	117.1.001.2A	Clutch control rod			1	
	3	818.2.009.1A	Clutch control pin		1		30	93823.2018	O-ring			2	
	4	771.5.043.2B	Screw		6		31	713.1.012.1B	Spacer			1	
	5	851.4.001.1A	Lock washer		1		32	93823.0128	O-ring			1	
	6	764.1.003.1B	Rubber pad		12		33	710.1.002.1A	Bush			1	
	7	162.1.001.1B	Plate holder hub		1		34	74224.0570	Pin			1	
	8	190.2.001.3A	Clutch plates set		1		35	750.1.002.1B	Nut			1	
	9	851.1.001.1B	Lock washer		1		36	0400.17.030	O-ring			1	
	10	196.1.001.1B	Clutch drum		1								
	11	70610.8120	Screw		8								
	12	194.2.001.2A	Pressure plate		1								
	13	198.1.027.1A	Clutch housing		1								
	14	702.5.016.1A	Bearing		1								
	15	463.2.053.7A	O-ring		1								
	16	463.4.026.9A	Seal ring		1								
	17	170.2.023.1A	Clutch/crankshaft gears pair		1								
	18	75113.2566	Bearing		1								
	19	881.2.001.1A	Circlip - spacer		1								
	20	463.7.022.6A	Bearing		1								
	21	0660.16.145	Spacer		1								
	22	195.2.002.1B	Piston assembly		1								
	23	930.4.009.1A	Seal ring		1								
	24	93785.0822	Seal ring		1								
	25	799.1.012.1A	Spring		1								
	26	236.1.010.3A	Clutch cap		1								
	27	672.1.006.1A	Rod protection cover		1								


## DRAWING 5

## CLUTCH COVER



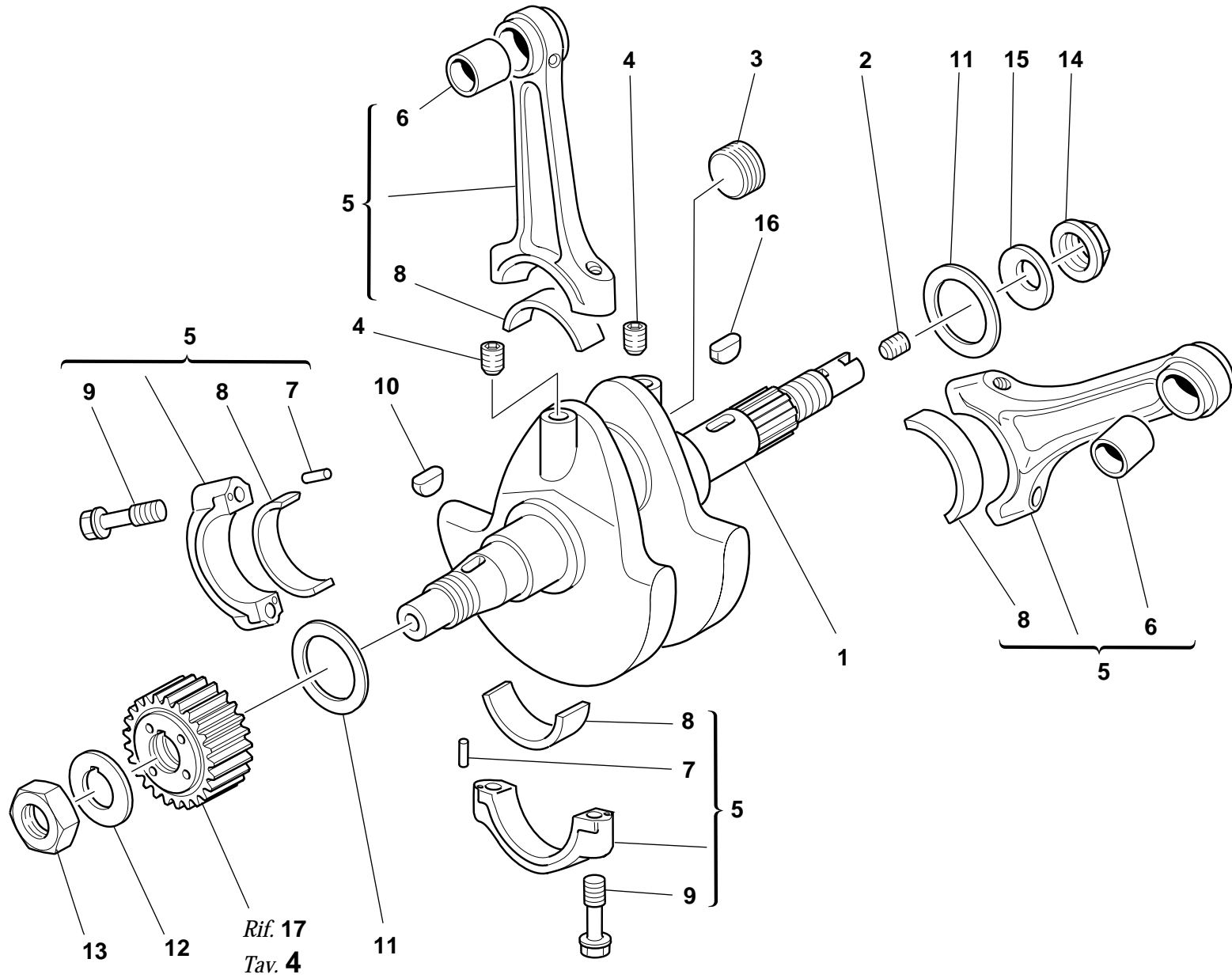


DRAWING **5** **CLUTCH COVER**


NOTES	NO.	CODE NO.	DESCRIPTION	VALIDITY	Q.TY	
	1	243.1.025.1AC	Clutch protection cover		1	
	2	60N102509	Screw		3	
	3	417.6.075.9A	Screw		3	
	4	254.4.001.1A	Oil level inspection cap		1	
	5	60N102510	Screw		5	
	6	243.2.004.1B	Cover clutch side		1	
	7	788.1.052.1A	Cover gasket		1	
	8	0665.49.680	Bush		1	
	9	93784.2030	Seal ring		1	
	10	852.1.008.1A	Shim th. 0.5		1	
	11	73503.3075	Circlip		1	
	12	93827.0114	O-ring		1	
	13	0400.49.240	Locating bush		1	
	14	93823.2082	O-ring		1	
	15	893.1.005.1A	Cap		1	
	16	539.4.008.1D	Switch		1	
	17	0150.70.120	Gasket		1	
	18	463.4.047.7A	Ring		1	
	19	433.1.028.1C	Oil level plate		1	
	20	771.5.078.2B	Screw		1	
	21	0675.49.540	Spacer		1	
	22	734306N01	Washer		1	
	23	881.1.030.1A	Holder		1	
	24	771.5.072.2B	Screw		1	

NOTES	NO.	CODE NO.	DESCRIPTION	VALIDITY	Q.TY	
-------	-----	----------	-------------	----------	------	---

CRANKSHAFT



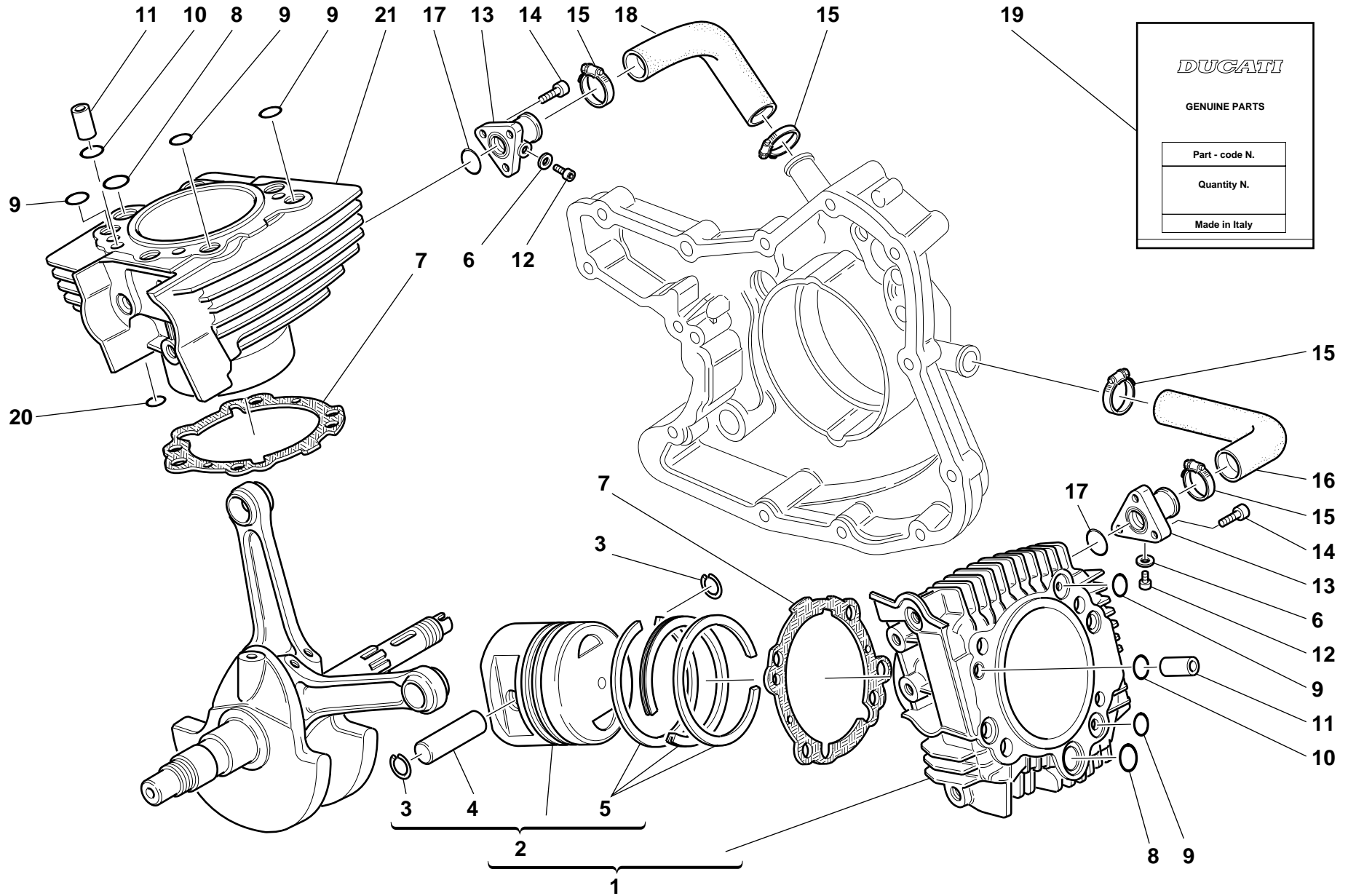
DRAWING **6** **CRANKSHAFT**

NOTES	NO.	CODE NO.	DESCRIPTION	VALIDITY	Q.TY	
	1	146.2.061.1A	Crankshaft (items 2-3-4 included)		1	
	2	779.1.109.1A	Special screw		1	
	3	780.1.016.1A	Cap		1	
	4	72121.2106	Threaded dowel		2	
	5	158.2.002.2A	Connecting rods pair (6-7-8 included)		1	
	6	711.1.007.1A	Bush		2	
	7	74224.0570	Pin		4	
	8	112.1.007.1BA	Half-bearing (RED)		4	
	8	112.1.007.1BB	Half-bearing (BLUE)		4	
	9	779.1.007.2A	Special screw		4	
	10	74172.1008	Woodruff key		1	
	11	852.1.076.2A	Shim th. 0.35		1	
	11	852.1.077.2A	Shim th. 0.4		1	
	11	852.1.078.2A	Shim th. 0.6		1	
	11	852.1.100.1A	Shim th. 0.3		2	
	11	852.1.101.1A	Shim th. 0.5		1	
	11	852.1.112.1A	Shim th. 0.7		1	
	12	0619.47.030	Lock washer		1	
	13	0660.47.040	Nut		1	
	14	750.1.012.2A	Nut		1	
	15	799.1.051.2A	Spring washer		1	
	16	0755.29.025	Woodruff key		1	


NOTES	NO.	CODE NO.	DESCRIPTION	VALIDITY	Q.TY	
-------	-----	----------	-------------	----------	------	---

DRAWING 7

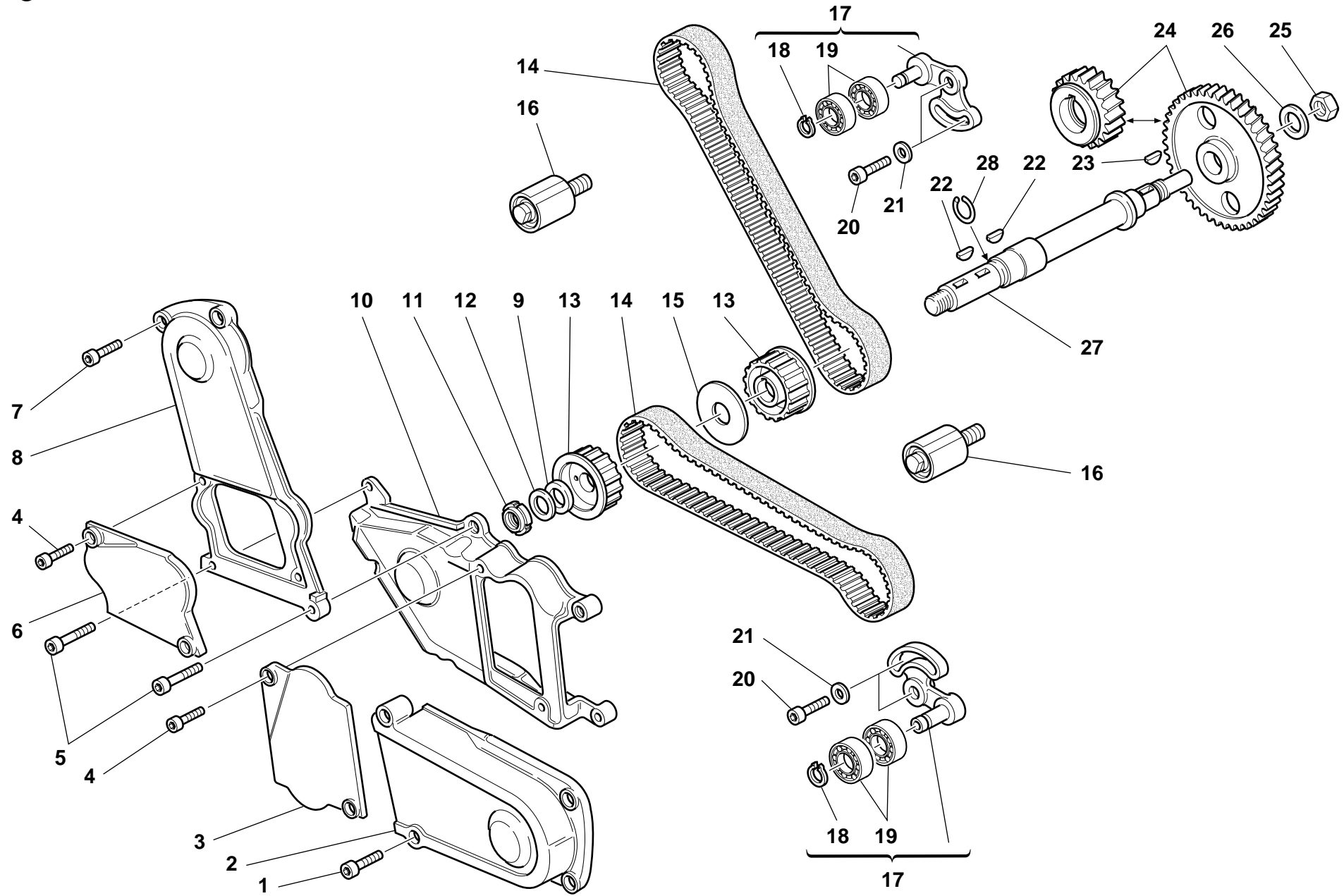
CYLINDERS - PISTONS



DRAWING **7****CYLINDERS - PISTONS**



NOTES	NO.	CODE NO.	DESCRIPTION	VALIDITY	Q.TY	
	1	120.2.037.1A	Horizontal cylinder-piston fit		1	
	2	122.2.039.1A	Complete piston		2	
	3	121.1.006.1A	Piston pin circlip		4	
	4	121.1.005.1A	Piston pin		2	
	5	121.2.003.1A	Piston rings set		2	
	6	420.2.000.7A	Copper gasket		2	
	7	786.1.047.1A	Cylinder-crankcase gasket th. 0.4		2	
	8	93823.3081	O-ring		2	
	9	463.2.019.6A	O-ring		5	
	10	0400.17.030	O-ring		2	
	11	0755.17.125	Bush		2	
	12	60N102504	Screw		2	
	13	814.1.002.1AA	Water inlet union to cylinders		2	
	14	60N107335	Screw		6	
	15	741.4.002.1A	Clamp		4	
	16	800.1.014.1A	Horizontal cylinder water inlet hose		1	
	17	93823.2087	O-ring		2	
	18	800.1.007.1A	Vertical cylinder water inlet hose		1	
	19	791.2.003.1A	Head-cylinder gaskets set		1	
	20	93823.2037	O-ring		1	
	21	120.2.036.1A	Vertical cylinder-piston fit		1	

NOTES	NO.	CODE NO.	DESCRIPTION	VALIDITY	Q.TY	
-------	-----	----------	-------------	----------	------	---



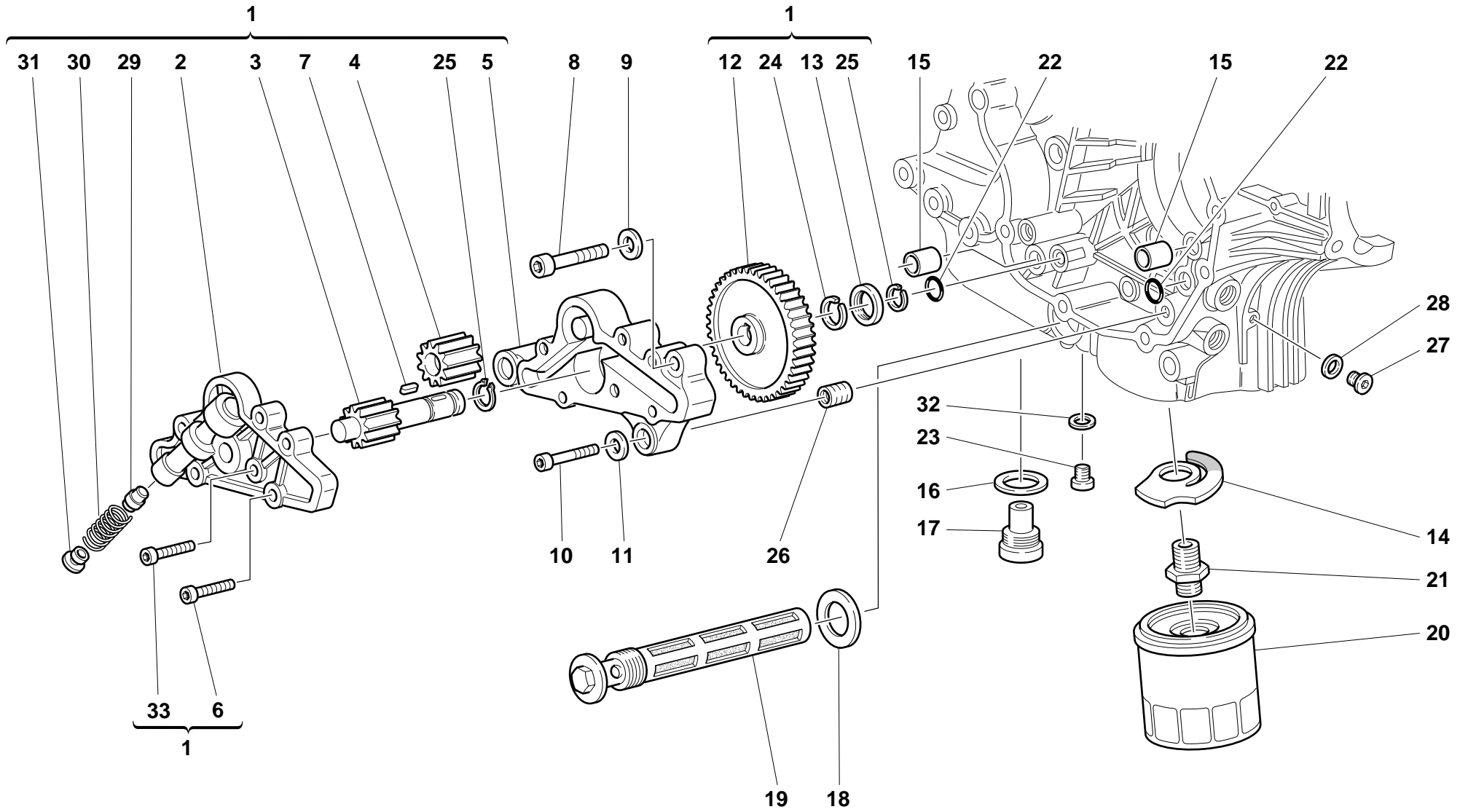
DRAWING 8

## TIMING

NOTES	NO.	CODE NO.	DESCRIPTION	VALIDITY	Q.TY		NOTES	NO.	CODE NO.	DESCRIPTION	VALIDITY	Q.TY	
	1	60N102509	Screw		2		24	171.2.013.1B	Timing gears pair			1	
	2	245.1.008.1AB	Horizontal timing belt cover (GREY)		1		25	0124.40.060	Hexagon nut			1	
	3	245.1.010.1AB	Horizontal tensioner roller cover (GREY)		1		26	0400.29.040	Lock washer			1	
	4	771.5.040.2B	Screw		4		27	147.1.014.1A	Timing lay shaft			1	
	5	60N102510	Screw		3		28	882.1.003.1A	Snap ring			1	
	6	245.1.009.1AB	Vertical tensioner roller cover (GREY)		1								
	7	60N102505	Screw		4								
	8	245.1.007.1AB	Vertical timing belt cover (GREY)		1								
	9	713.1.018.1A	Spacer		1								
	10	245.1.006.1AB	Central cover (GREY)		1								
	11	72944.1542	Elastic-stop ring nut		1								
	12	0797.69.040	Washer		1								
	13	255.1.001.1B	Timing belt roller		2								
	14	737.4.002.1A	Timing drive toothed belt		2								
	15	856.1.002.1A	Belt roller separating washer		1								
	16	0370.29.350	Fixed tensioner assembly		2								
	17	451.2.001.1A	Complete movable tensioner roller		2								
	18	0214.07.350	Ring		2								
	19	75166.1238	Bearing		4								
	20	771.5.122.2B	Screw		4								
	21	462.3.003.7A	Washer		4								
	22	74172.1008	Woodruff key		2								
	23	0755.29.025	Woodruff key		1								

DRAWING 9

FILTERS AND OIL PUMP






DRAWING 9

## FILTERS AND OIL PUMP

NOTES	NO.	CODE NO.	DESCRIPTION	VALIDITY	Q.TY	
	1	174.2.016.2A	Complete oil pump		1	
	2	247.1.104.1A	Pump cover		1	
	3	174.1.002.1A	Pump driving gear		1	
	4	0660.70.065	Pump driven gear		1	
	5	250.2.030.2A	Pump body		1	
	6	779.5.001.1A	Screw		3	
	7	680.1.001.1B	Woodruff key		1	
	8	771.5.129.2B	Screw		2	
	9	462.4.037.8A	Spring washer		2	
	10	60N102510	Screw		1	
	11	462.4.037.6A	Spring washer		1	
	12	174.1.004.1A	Pump drive gear		1	
	13	710.1.001.1A	Bush		1	
	14	799.2.077.1A	Bypass spring		1	
	15	0759.49.280	Locating bush		2	
	16	220.3.208.3A	Gasket		1	
	17	0660.49.053	Oil drain plug with magnet		1	
	18	787.1.009.1A	Gasket		1	
	19	0660.49.800	Oil filter		1	
	20	0905.49.960	Oil filter cartridge		1	
	21	0670.49.910	Nipple		1	
	22	93827.0114	O-ring		2	
	23	779.1.026.1A	Screw		1	
	24	76267.0012	Snap ring		1	
	25	73500.1237	Circlip		2	
	26	0670.49.310	Reduction bush		1	
	27	779.1.162.1A	Cap		1	

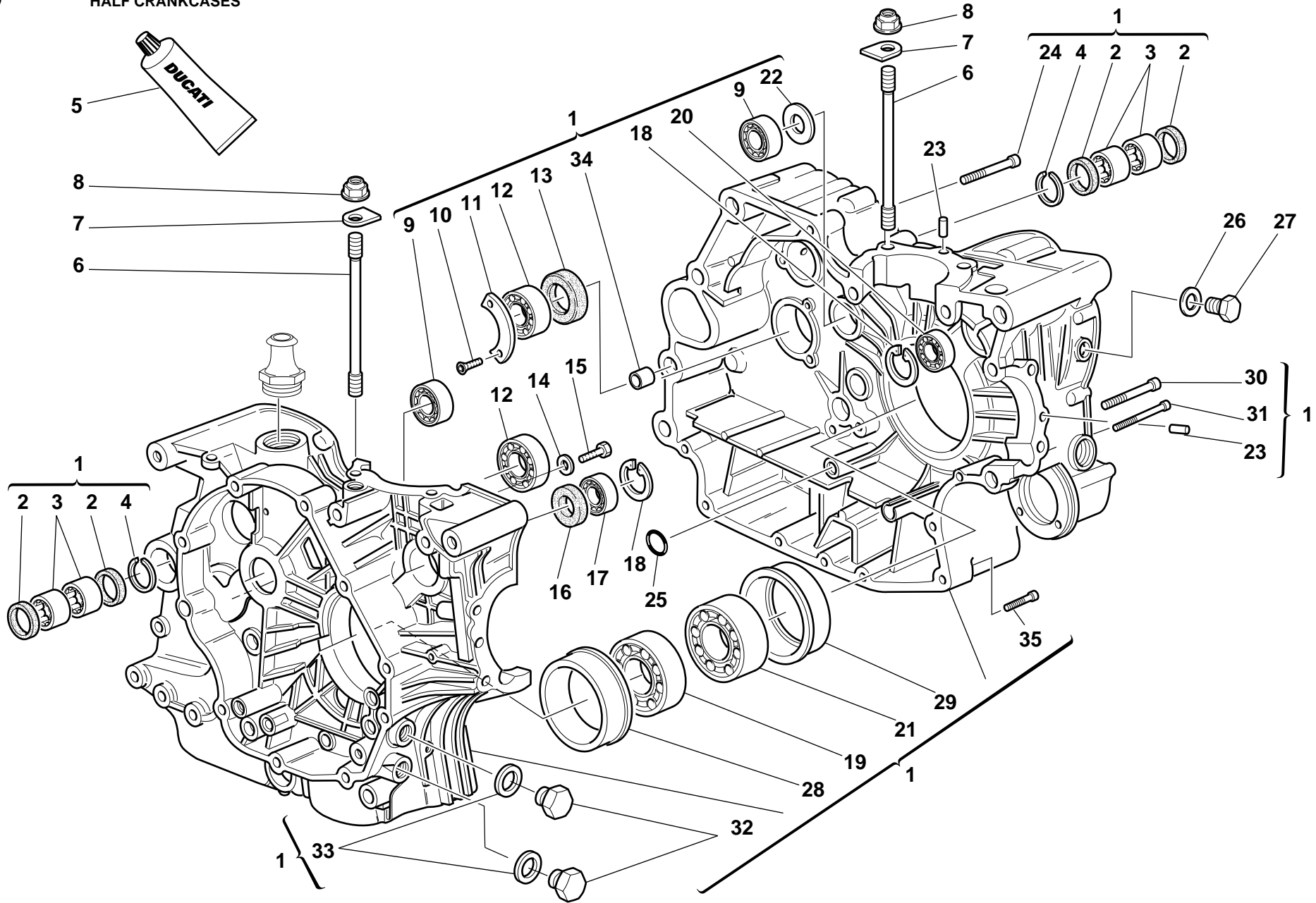
CATALOGUE No.: 915.1.046.1C  
ISSUED: 11 - 99

NOTES	NO.	CODE NO.	DESCRIPTION	VALIDITY	Q.TY	
	28	0150.70.120	Gasket		1	
	29	593.1.018.1A	Bypass valve		1	
	30	799.1.055.1A	Bypass spring		1	
	31	780.1.006.1A	Bypass cap		1	
	32	420.2.006.4A	Aluminium gasket		2	
	33	779.5.005.1A	Screw		3	

CATALOGUE No.: 915.1.046.1C  
ISSUED: 11 - 99

DRAWING 10


HALF CRANKCASES



DRAWING **10** HALF CRANKCASES

NOTES	NO.	CODE NO.	DESCRIPTION	VALIDITY	Q.TY	
	1	225.2.039.3B	Complete half-crankcases pair		1	
	2	0755.49.265	Seal ring		4	
	3	76400.0004	Needle bearing		4	
	4	76266.2668	Snap ring		2	
	5	94247.0014	Fluid sealant		1	
	6	766.1.001.2B	Stud bolt for fastening head cylinder		8	
	7	856.1.024.1A	Special washer		8	
	8	0670.92.010	Nut		8	
	9	75791.1747	Bearing		2	
	10	72094.1616	Screw		2	
	11	826.1.003.1A	Keep plate		1	
	12	702.5.017.1A	Bearing		2	
	13	93783.2552	Seal ring		1	
	14	713.1.140.1A	Spacer		2	
	15	60N101079	Screw		2	
	16	93785.1830	Seal ring		1	
	17	75794.1542	Bearing		1	
	18	73503.3380	Circlip		2	
	19	75143.3380	Bearing		1	
	20	702.5.008.1A	Bearing		1	
	21	75191.3380	Bearing		1	
	22	0370.49.250	Washer		1	
	23	0011.52.010	Locating dowel		2	
	24	771.5.136.2B	Screw		3	
	25	93827.0114	O-ring		1	
	26	420.2.006.2A	Aluminium gasket		1	

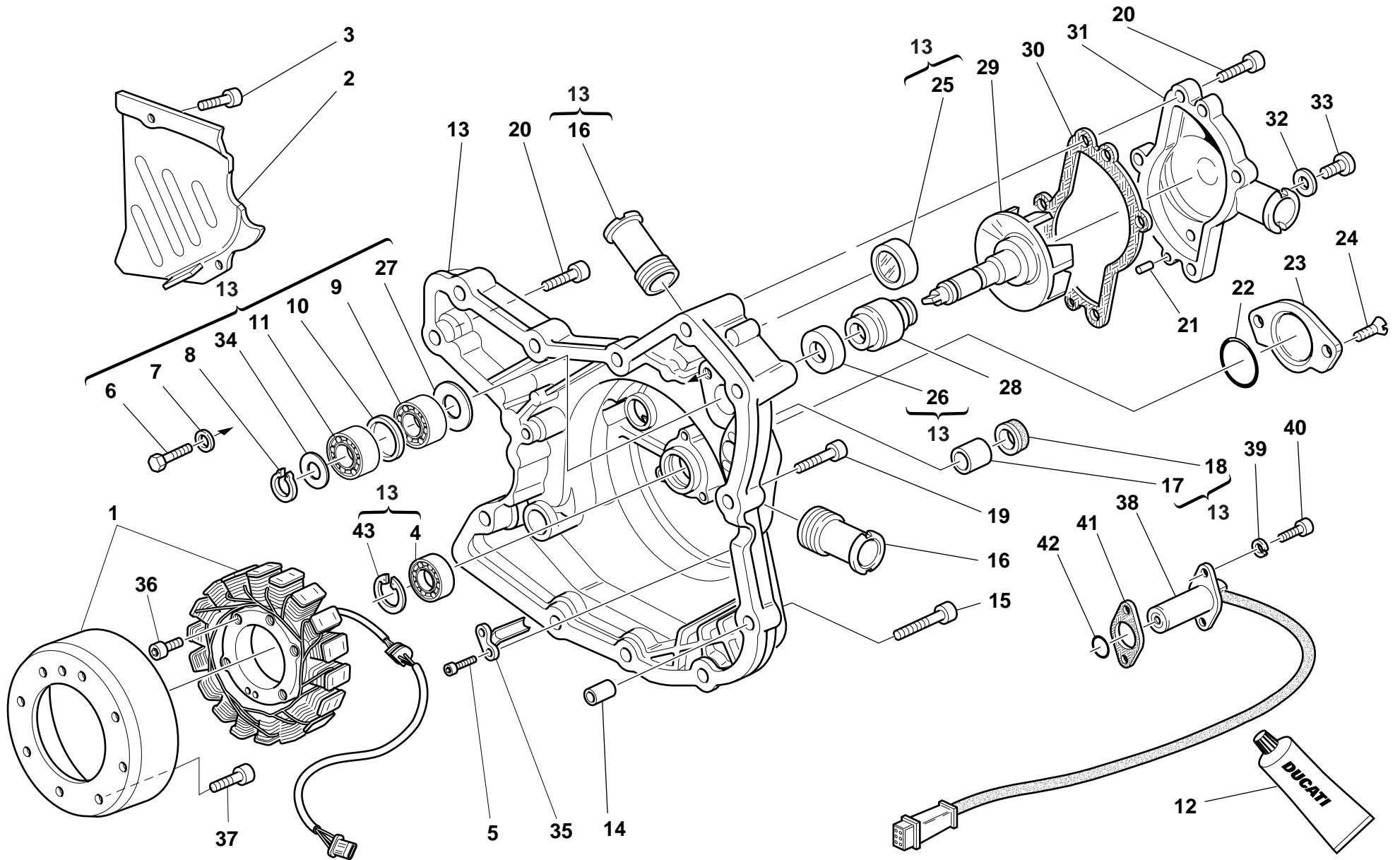
CATALOGUE No.: 915.1.046.1C  
ISSUED: 11 - 99

NOTES	NO.	CODE NO.	DESCRIPTION	VALIDITY	Q.TY	
	27	779.1.026.1A	Screw		1	
	28	710.1.005.2A	Bearing holder bush		1	
	29	710.1.012.1B	Bearing holder bush		1	
	30	417.6.082.9A	Screw		4	
	31	771.5.080.2B	Screw		2	
	32	0665.49.365	Cap		2	
	33	420.2.006.4A	Aluminium gasket		2	
	34	711.1.006.1A	Bush		2	
	35	771.5.072.2B	Screw		7	



CATALOGUE No.: 915.1.046.1C  
ISSUED: 11 - 99

DRAWING 11

WATER PUMP - ALTERNATOR COVER

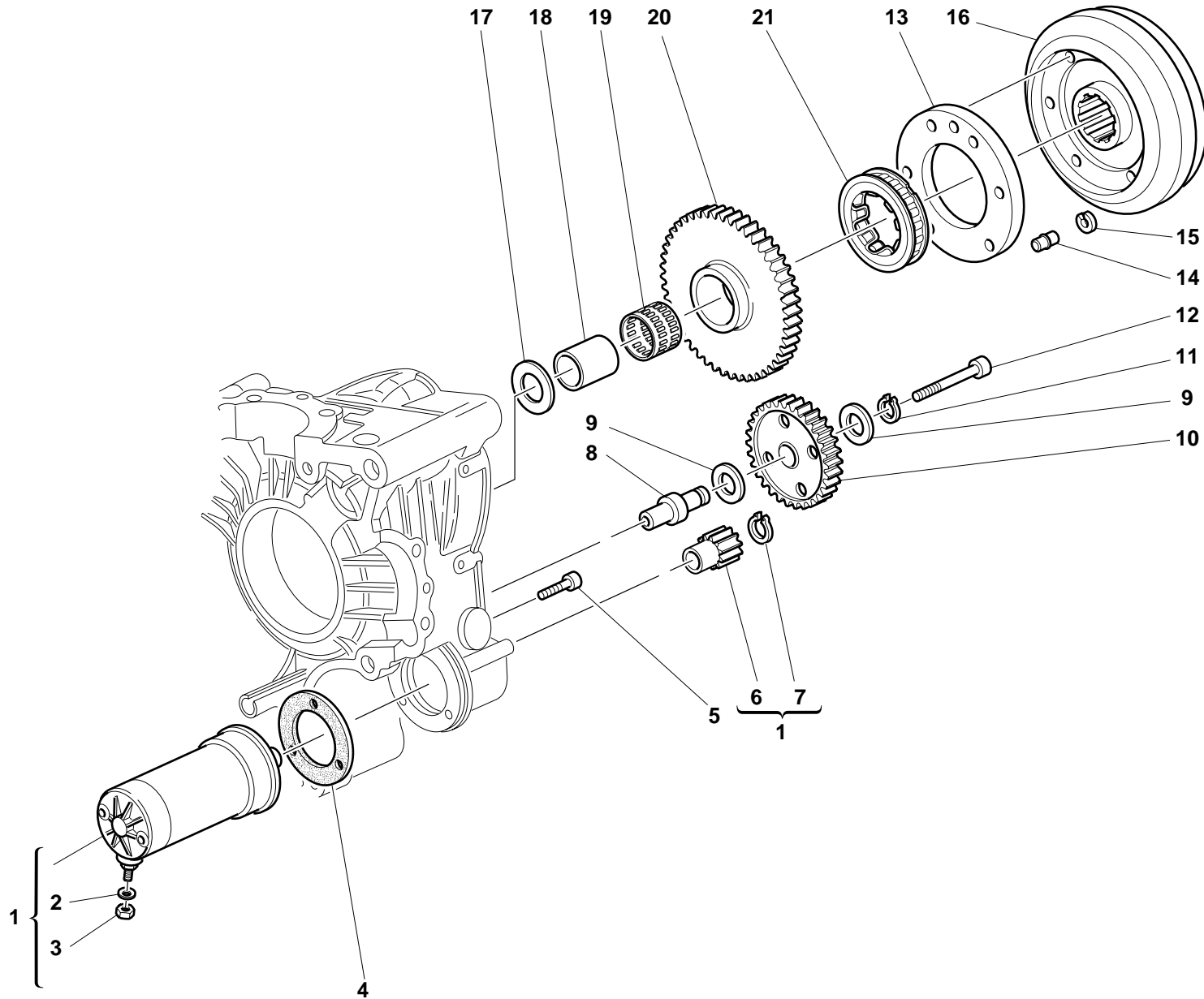


DRAWING **11****WATER PUMP - ALTERNATOR COVER**


NOTES	NO.	CODE NO.	DESCRIPTION	VALIDITY	Q.TY		NOTES	NO.	CODE NO.	DESCRIPTION	VALIDITY	Q.TY	
	1	264.4.018.1A	Generator		1			28	930.5.006.2A	Mechanical seal		1	
	2	247.1.083.1AB	Chain cover		1			29	251.2.002.3B	Water pump fan		1	
	3	60N107335	Screw		2			30	788.1.056.1A	Gasket		1	
	4	702.5.008.1A	Bearing		1			31	247.1.114.1A	Complete water pump cover		1	
	5	771.5.040.2B	Screw		2			32	420.2.001.0A	Copper gasket		1	
	6	60N101079	Screw		2			33	780.5.001.1A	Cap		1	
	7	462.3.003.8A	Washer		2			34	852.1.114.1A	Washer		1	
	8	884.5.011.1A	Circlip		1			35	830.1.144.1A	Bracket		1	
	9	702.4.010.1A	Bearing		1			36	771.4.006.1A	Screw		8	
	10	713.1.118.1A	Spacer		1			37	771.5.073.2B	Screw		3	
	11	702.4.009.1A	Bearing		1			38	552.4.009.1A	Sensor		1	
	12	94247.0014	Fluid sealant		1			39	734005N01	Spring washer		2	
	13	242.2.034.1A	Generator cover		1			40	70620.5212	Screw		2	
	14	0400.49.240	Locating bush		2			41	788.1.003.1B	Gasket th.0.5		1	
	15	60N102511	Screw		3			41	788.1.012.1A	Gasket th.0.3		1	
	16	668.1.001.2A	Water pump delivery filler		2			41	788.1.013.1A	Gasket th.02		1	
	17	77499.3421	Gearbox pin bush		1			42	93823.2056	O-ring		1	
	18	93783.1524	Seal ring		1			43	73503.3380	Circlip		1	
	19	60N102510	Screw		9								
	20	771.5.066.2B	Screw		5								
	21	0011.52.010	Locating dowel		2								
	22	93823.2131	O-ring		1								
	23	247.1.002.1BB	Cover		1								
	24	777.5.049.2C	Screw		2								
	25	254.1.001.1A	Ignition inspection cap		1								
	26	930.5.005.1A	Seal		1								
	27	713.1.128.1A	Spacer		1								

DRAWING 12

ELECTRIC STARTER AND IGNITION



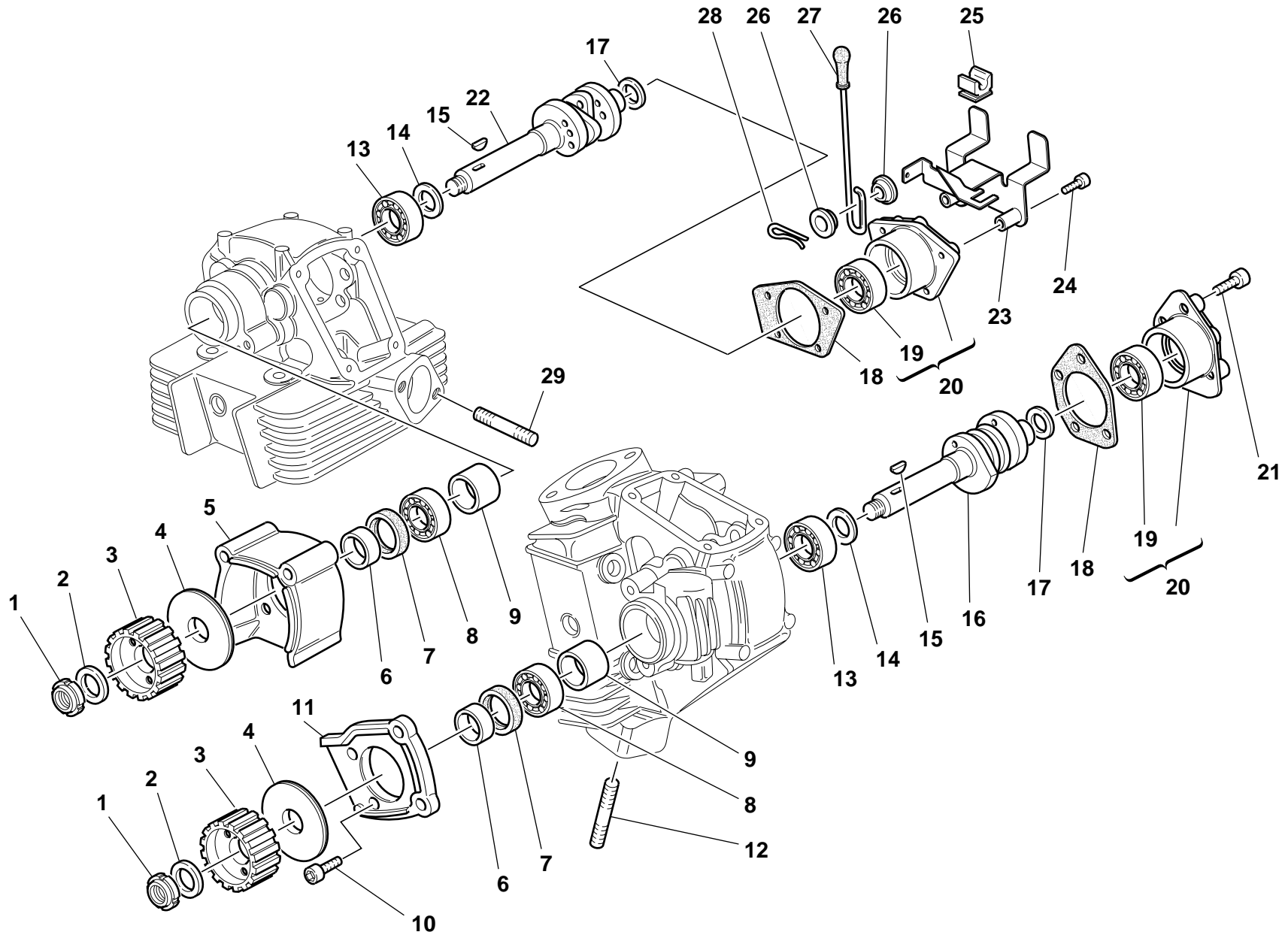
DRAWING **12** ELECTRIC STARTER AND IGNITION

NOTES	NO.	CODE NO.	DESCRIPTION	VALIDITY	Q.TY	
	1	270.4.001.1A	Complete starter motor (8-9 included)		1	
	2	734006N01	Spring washer		1	
	3	417.9.050.6A	Nut		1	
	4	788.1.054.1A	Starter motor gasket		1	
	5	60N102510	Screw		3	
	6	176.1.001.1A	Starter motor sprocket		1	
	7	73500.1237	Circlip		1	
	8	0660.50.020	Intermediate gear pin		1	
	9	0124.40.050	Washer		2	
	10	176.1.002.1A	Intermediate gear assembly		1	
	11	73500.1440	Circlip		1	
	12	771.5.078.2B	Screw		1	
	13	160.1.057.1A	Flywheel connection flange		1	
	14	863.1.002.1A	Locating pin		1	
	15	0647.29.040	Check ring		1	
	16	276.1.028.1A	Ignition flywheel		1	
	17	0619.50.065	Washer		1	
	18	881.1.010.1C	Inner ring		1	
	19	701.4.003.1A	Needle bearing		1	
	20	173.1.004.1A	Electric starter driven gear		1	
	21	701.4.007.1A	Starter clutch		1	

NOTES	NO.	CODE NO.	DESCRIPTION	VALIDITY	Q.TY	
-------	-----	----------	-------------	----------	------	---

DRAWING 13

HEAD: TIMING






DRAWING **13** HEAD: TIMING

NOTES	NO.	CODE NO.	DESCRIPTION	VALIDITY	Q.TY	
	1	72944.1542	Elastic-stop ring nut		2	
	2	0797.69.040	Washer		2	
	3	255.1.004.1A	Timing belt roller		2	
	4	856.1.002.1A	Belt roller separating washer		2	
	5	235.1.005.1A	Vertical rubber cap		1	
	6	713.1.006.1A	Belt roller spacer		2	
	7	0204.70.105	Seal ring		2	
	8	75110.1747	Bearing		2	
	9	0660.29.030	Spacer		2	
	10	60N107335	Screw		4	
	11	235.1.006.1A	Horizontal rubber cap		1	
	12	0370.92.050	Stud bolt		4	
	13	75110.2054	Bearing		2	
	14	0400.16.190	Washer		2	
	15	74172.1008	Woodruff key		2	
	16	148.1.053.1A	Horizontal head camshaft		1	
	17	0400.29.126	Shim th. 0.5		2	
	18	0660.92.310	Cap gasket		2	
	19	75173.1542	Bearing		2	
	20	235.2.015.1B	Cap with bearing		2	
	21	60N102509	Screw		5	
	22	148.1.052.1A	Vertical head camshaft		1	
	23	829.1.185.1A	Bracket		1	
	24	771.5.073.2B	Screw		2	
	25	764.1.010.1A	Rubber pad		1	
	26	711.1.082.1A	Bush		2	
	27	117.1.032.1A	Rod		1	

CATALOGUE No.: 915.1.046.1C  
ISSUED: 11 - 99

NOTES	NO.	CODE NO.	DESCRIPTION	VALIDITY	Q.TY	
	28	73601.0220	Split pin		1	
	29	417.5.033.7A	Stud bolt		4	

CATALOGUE No.: 915.1.046.1C  
ISSUED: 11 - 99

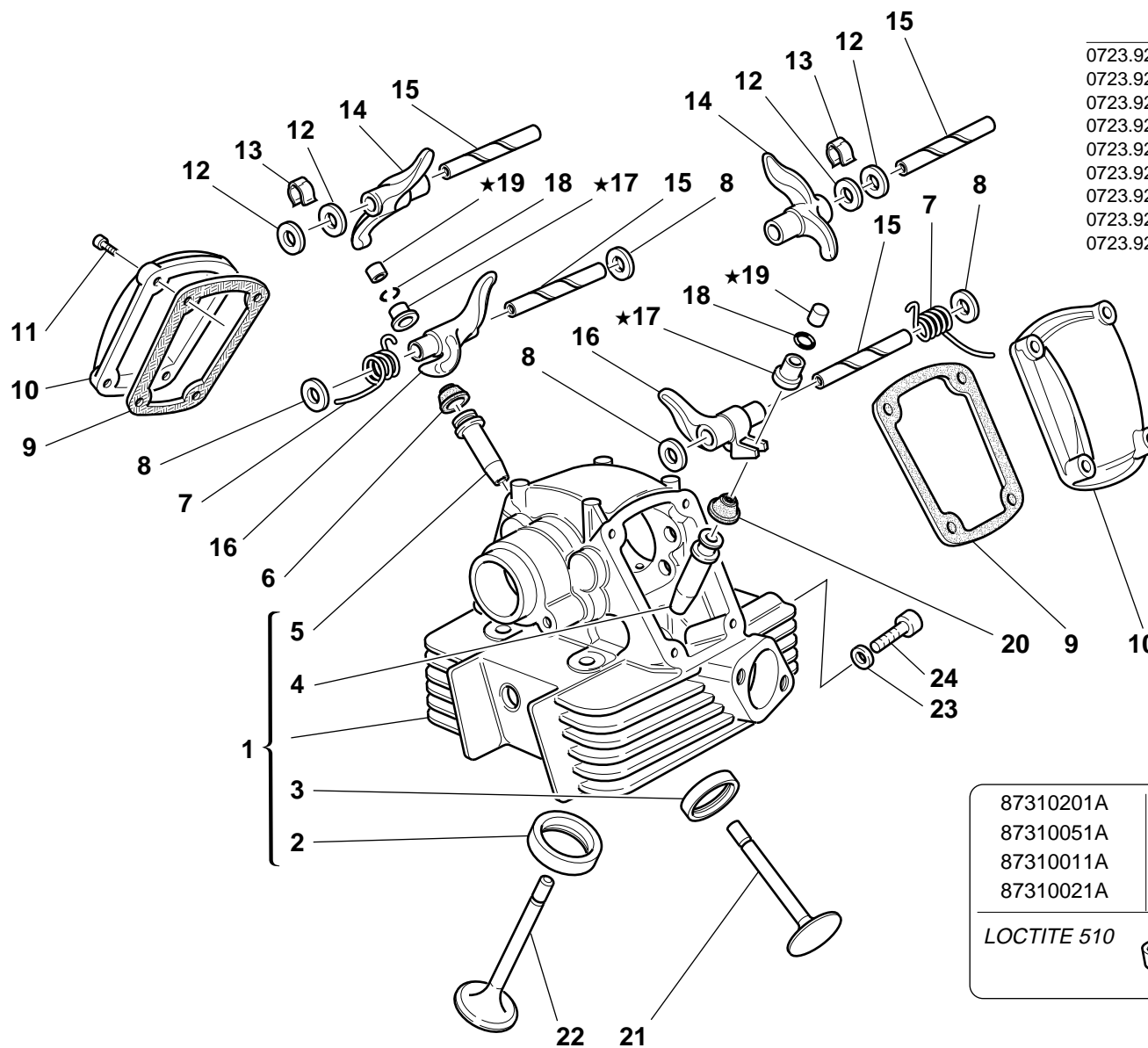
DRAWING **14** VERTICAL HEAD

**17 \*** Scodellino ritorno  
Return cap  
Coupelle retour  
Einstellhülse


**19 \*** Registro bilanciere  
Adjustment  
Réglage  
Ventilkäppchen

0727.92.050—5	0727.92.171—7,15
0727.92.150—5,05	0727.92.072—7,2
0727.92.051—5,10	0727.92.172—7,25
0727.92.151—5,15	0727.92.073—7,30
0727.92.052—5,2	0727.92.173—7,35
0727.92.152—5,25	0727.92.074—7,4
0727.92.053—5,30	0727.92.174—7,45
0727.92.153—5,35	0727.92.075—7,50
0727.92.054—5,4	0727.92.175—7,55
0727.92.154—5,45	0727.92.076—7,6
0727.92.055—5,50	0727.92.176—7,65
0727.92.155—5,55	0727.92.077—7,70
0727.92.056—5,6	0727.92.177—7,75
0727.92.156—5,65	0727.92.078—7,8
0727.92.057—5,70	0727.92.178—7,85
0727.92.157—5,75	0727.92.079—7,90
0727.92.058—5,8	0727.92.179—7,95
0727.92.158—5,85	0727.92.080—8
0727.92.059—5,90	0727.92.180—8,05
0727.92.159—5,95	0727.92.081—8,10
0727.92.060—6	0727.92.181—8,15
0727.92.160—6,05	0727.92.082—8,2
0727.92.061—6,10	0727.92.182—8,25
0727.92.161—6,15	0727.92.083—8,3
0727.92.062—6,2	0727.92.183—8,35
0727.92.162—6,25	0727.92.084—8,4
0727.92.063—6,30	0727.92.184—8,45
0727.92.163—6,35	0727.92.085—8,5
0727.92.064—6,4	0727.92.185—8,55
0727.92.164—6,45	0727.92.086—8,6
0727.92.065—6,50	0727.92.186—8,65
0727.92.165—6,55	0727.92.087—8,7
0727.92.066—6,6	0727.92.187—8,75
0727.92.166—6,65	0727.92.088—8,8
0727.92.067—6,70	0727.92.188—8,85
0727.92.167—6,75	0727.92.089—8,9
0727.92.068—6,8	0727.92.189—8,95
0727.92.168—6,85	0727.92.090—9
0727.92.069—6,90	0727.92.092—9,2
0727.92.169—6,95	0727.92.094—9,4
0727.92.070—7	0727.92.096—9,6
0727.92.170—7,05	
0727.92.071—7,10	

0723.92.500—2	0723.92.575—2,45
0723.92.535—2,05	0723.92.505—2,5
0723.92.501—2,1	0723.92.585—2,55
0723.92.545—2,15	0723.92.506—2,6
0723.92.502—2,2	0723.92.595—2,65
0723.92.555—2,25	0723.92.507—2,7
0723.92.503—2,3	0723.92.605—2,75
0723.92.565—2,35	0723.92.508—2,8
0723.92.504—2,4	0723.92.615—2,85
	0723.92.509—2,9
	0723.92.625—2,95
	0723.92.510—3
	0723.92.635—3,05
	0723.92.511—3,1
	0723.92.645—3,15
	0723.92.512—3,2
	0723.92.655—3,25
	0723.92.513—3,3
	0723.92.675—3,35
	0723.92.514—3,4
	0723.92.685—3,45
	0723.92.515—3,5
	0723.92.695—3,55
	0723.92.516—3,6
	0723.92.705—3,65
	0723.92.517—3,7
	0723.92.715—3,75
	0723.92.518—3,8
	0723.92.725—3,85
	0723.92.519—3,9
	0723.92.735—3,95
	0723.92.520—4
	0723.92.745—4,05
	0723.92.521—4,1
	0723.92.522—4,2
	0723.92.523—4,3
	0723.92.524—4,4
	0723.92.525—4,5
	0723.92.526—4,6
	0723.92.527—4,7
	0723.92.528—4,8
	0723.92.529—4,9
	0723.92.530—5




87310201A	-20
87310051A	-18
87310011A	-16
87310021A	-10

LOCTITE 510 

DRAWING **14** VERTICAL HEAD

NOTES	NO.	CODE NO.	DESCRIPTION	VALIDITY	Q.TY	
	1	301.2.020.1C	Complete vertical head		1	
	2	304.1.005.2A	Intake valve seat		1	
	2	304.1.005.2AB	Oversize intake valve seat 0.03		1	
	2	304.1.005.2AC	Oversize intake valve seat 0.06		1	
	3	304.1.006.2A	Exhaust valve seat		1	
	3	304.1.006.2AB	Oversize exhaust valve seat 0.03		1	
	3	304.1.006.2AC	Oversize exhaust valve seat 0.06		1	
	4	303.1.003.1A	Intake valve cast iron guide		1	
	4	303.1.003.1AB	Oversize valve guide 0.03		1	
	4	303.1.003.1AC	Oversize valve guide 0.06		1	
	4	303.1.003.1AD	Oversize valve guide 0.09		1	
	5	303.2.004.1C	Exhaust valve bronze guide		1	
	5	303.2.004.1CB	Oversize valve guide 0.03		1	
	5	303.2.004.1CC	Oversize valve guide 0.06		1	
	5	303.2.004.1CD	Oversize valve guide 0.09		1	
	6	764.1.013.1A	Valve seal		1	
	7	799.1.061.1A	Closing rocker spring		2	
	8	0765.92.205	Shim th. 0.2		1	
	8	0670.92.190	Shim th. 2		1	
	8	0619.92.180	Shim th. 0.3		1	
	8	0765.92.190	Shim th. 0.5		1	
	8	0765.92.185	Shim th. 1		1	
	9	788.1.032.2A	Valve cover gasket		2	
	10	240.1.010.1AA	Valve cover		2	
	11	771.5.064.2B	Screw		8	
	12	0647.70.010	Shim		4	
	13	0375.92.210	Spring		2	

CATALOGUE No.: 915.1.046.1C  
ISSUED: 11 - 99

NOTES	NO.	CODE NO.	DESCRIPTION	VALIDITY	Q.TY	
	14	0375.92.170	Opening rocker		2	
	15	0660.92.240	Rocker shaft		4	
	15	0660.92.245	Oversize rocker shaft 0.02		4	
	16	0660.92.183	Closing rocker		2	
	17	0727.92.239	See table		2	
	18	669.1.003.1A	Split rings		4	
	19	0723.92.239	See table		2	
	20	764.1.009.1A	Valve seal		1	
	21	211.1.003.4A	Exhaust valve		1	
	22	210.1.003.5A	Intake valve		1	
	23	420.2.000.7A	Copper gasket		1	
	24	779.1.133.1A	Screw		1	

CATALOGUE No.: 915.1.046.1C  
ISSUED: 11 - 99

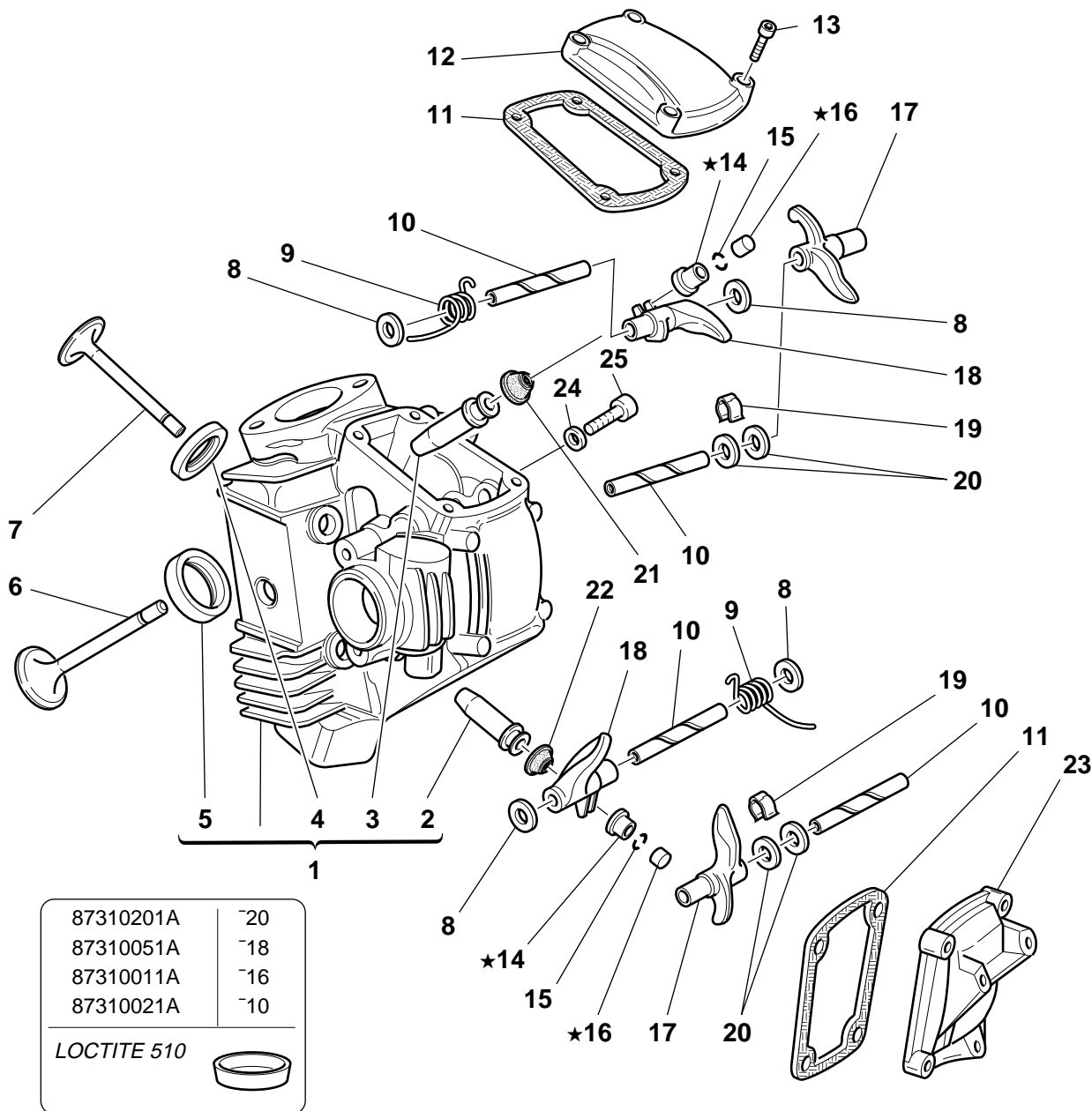
DRAWING

## 15

## HORIZONTAL HEAD

**14 \*** Scodellino ritorno  
Return cap  
Coupelle retour  
Einstellhülse

0727.92.050—5	0727.92.171—7,15
0727.92.150—5,05	0727.92.072—7,2
0727.92.051—5,10	0727.92.172—7,25
0727.92.151—5,15	0727.92.073—7,30
0727.92.052—5,2	0727.92.173—7,35
0727.92.152—5,25	0727.92.074—7,4
0727.92.053—5,30	0727.92.174—7,45
0727.92.153—5,35	0727.92.075—7,50
0727.92.054—5,4	0727.92.175—7,55
0727.92.154—5,45	0727.92.076—7,6
0727.92.055—5,50	0727.92.176—7,65
0727.92.155—5,55	0727.92.077—7,70
0727.92.056—5,6	0727.92.177—7,75
0727.92.156—5,65	0727.92.078—7,8
0727.92.057—5,70	0727.92.178—7,85
0727.92.157—5,75	0727.92.079—7,90
0727.92.058—5,8	0727.92.179—7,95
0727.92.158—5,85	0727.92.080—8
0727.92.059—5,90	0727.92.180—8,05
0727.92.159—5,95	0727.92.081—8,10
0727.92.060—6	0727.92.181—8,15
0727.92.160—6,05	0727.92.082—8,2
0727.92.061—6,10	0727.92.182—8,25
0727.92.161—6,15	0727.92.083—8,3
0727.92.062—6,2	0727.92.183—8,35
0727.92.162—6,25	0727.92.084—8,4
0727.92.063—6,30	0727.92.184—8,45
0727.92.163—6,35	0727.92.085—8,5
0727.92.064—6,4	0727.92.185—8,55
0727.92.164—6,45	0727.92.086—8,6
0727.92.065—6,50	0727.92.186—8,65
0727.92.165—6,55	0727.92.087—8,7
0727.92.066—6,6	0727.92.187—8,75
0727.92.166—6,65	0727.92.088—8,8
0727.92.067—6,70	0727.92.188—8,85
0727.92.167—6,75	0727.92.089—8,9
0727.92.068—6,8	0727.92.189—8,95
0727.92.168—6,85	0727.92.090—9
0727.92.069—6,90	0727.92.092—9,2
0727.92.169—6,95	0727.92.094—9,4
0727.92.070—7	0727.92.096—9,6
0727.92.170—7,05	
0727.92.071—7,10	



**16 \*** Registro bilanciare  
Adjustment  
Réglage  
Ventilkäppchen

0723.92.500—2	0723.92.575—2,45
0723.92.535—2,05	0723.92.505—2,5
0723.92.501—2,1	0723.92.585—2,55
0723.92.545—2,15	0723.92.506—2,6
0723.92.502—2,2	0723.92.595—2,65
0723.92.555—2,25	0723.92.507—2,7
0723.92.503—2,3	0723.92.605—2,75
0723.92.565—2,35	0723.92.508—2,8
0723.92.504—2,4	0723.92.615—2,85
	0723.92.509—2,9
	0723.92.625—2,95
	0723.92.510—3
	0723.92.635—3,05
	0723.92.511—3,1
	0723.92.645—3,15
	0723.92.512—3,2
	0723.92.655—3,25
	0723.92.513—3,3
	0723.92.675—3,35
	0723.92.514—3,4
	0723.92.685—3,45
	0723.92.515—3,5
	0723.92.695—3,55
	0723.92.516—3,6
	0723.92.705—3,65
	0723.92.517—3,7
	0723.92.715—3,75
	0723.92.518—3,8
	0723.92.725—3,85
	0723.92.519—3,9
	0723.92.735—3,95
	0723.92.520—4
	0723.92.745—4,05
	0723.92.521—4,1
	0723.92.522—4,2
	0723.92.523—4,3
	0723.92.524—4,4
	0723.92.525—4,5
	0723.92.526—4,6
	0723.92.527—4,7
	0723.92.528—4,8
	0723.92.529—4,9
	0723.92.530—5

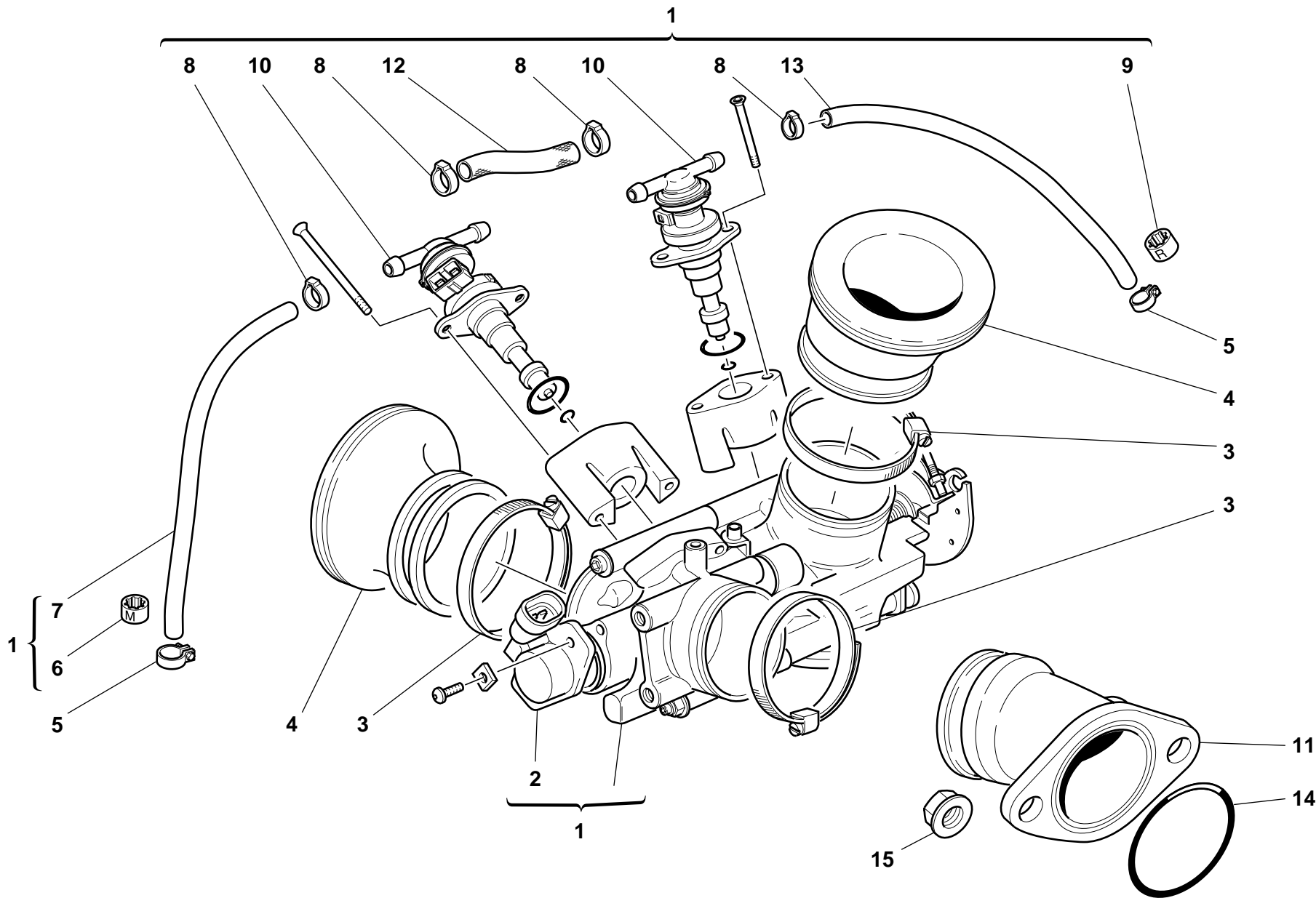
DRAWING **15** HORIZONTAL HEAD

NOTES	NO.	CODE NO.	DESCRIPTION	VALIDITY	Q.TY		NOTES	NO.	CODE NO.	DESCRIPTION	VALIDITY	Q.TY	
	1	301.2.021.1C	Complete horizontal head		1		13	771.5.064.2B	Screw			8	
	2	303.2.004.1C	Exhaust valve bronze guide		1		14	0727.92.239	See table			2	
	2	303.2.004.1CB	Oversize valve guide 0.03		1		15	669.1.003.1A	Split rings			4	
	2	303.2.004.1CC	Oversize valve guide 0.06		1		16	0723.92.239	See table			2	
	2	303.2.004.1CD	Oversize valve guide 0.09		1		17	0375.92.170	Opening rocker			2	
	3	303.1.003.1A	Intake valve cast iron guide		1		18	0660.92.183	Closing rocker			2	
	3	303.1.003.1AB	Oversize valve guide 0.03		1		19	0375.92.210	Spring			2	
	3	303.1.003.1AC	Oversize valve guide 0.06		1		20	0647.70.010	Shim			4	
	3	303.1.003.1AD	Oversize valve guide 0.09		1		21	764.1.009.1A	Valve seal			1	
	4	304.1.006.2A	Exhaust valve seat		1		22	764.1.013.1A	Valve seal			1	
	4	304.1.006.2AB	Oversize exhaust valve seat 0.03		1		23	240.1.016.1A	Exhaust valve cover			1	
	4	304.1.006.2AC	Oversize exhaust valve seat 0.06		1		24	420.2.000.7A	Copper gasket			1	
	5	304.1.005.2A	Intake valve seat		1		25	779.1.133.1A	Screw			1	
	5	304.1.005.2AB	Oversize intake valve seat 0.03		1								
	5	304.1.005.2AC	Oversize intake valve seat 0.06		1								
	6	210.1.003.5A	Intake valve		1								
	7	211.1.003.4A	Exhaust valve		1								
	8	0765.92.205	Shim th. 0.2		1								
	8	0670.92.190	Shim th. 2		1								
	8	0619.92.180	Shim th. 0.3		1								
	8	0765.92.190	Shim th. 0.5		1								
	8	0765.92.185	Shim th. 1		1								
	9	799.1.061.1A	Closing rocker spring		2								
	10	0660.92.240	Rocker shaft		4								
	10	0660.92.245	Oversize rocker shaft 0.02		4								
	11	788.1.032.2A	Valve cover gasket		2								
	12	240.1.010.1AA	Valve cover		1								


TAVOLA  
DRAWING  
TABLE  
BILD  
TABLA

16

THROTTLE BODY



DRAWING **16** THROTTLE BODY

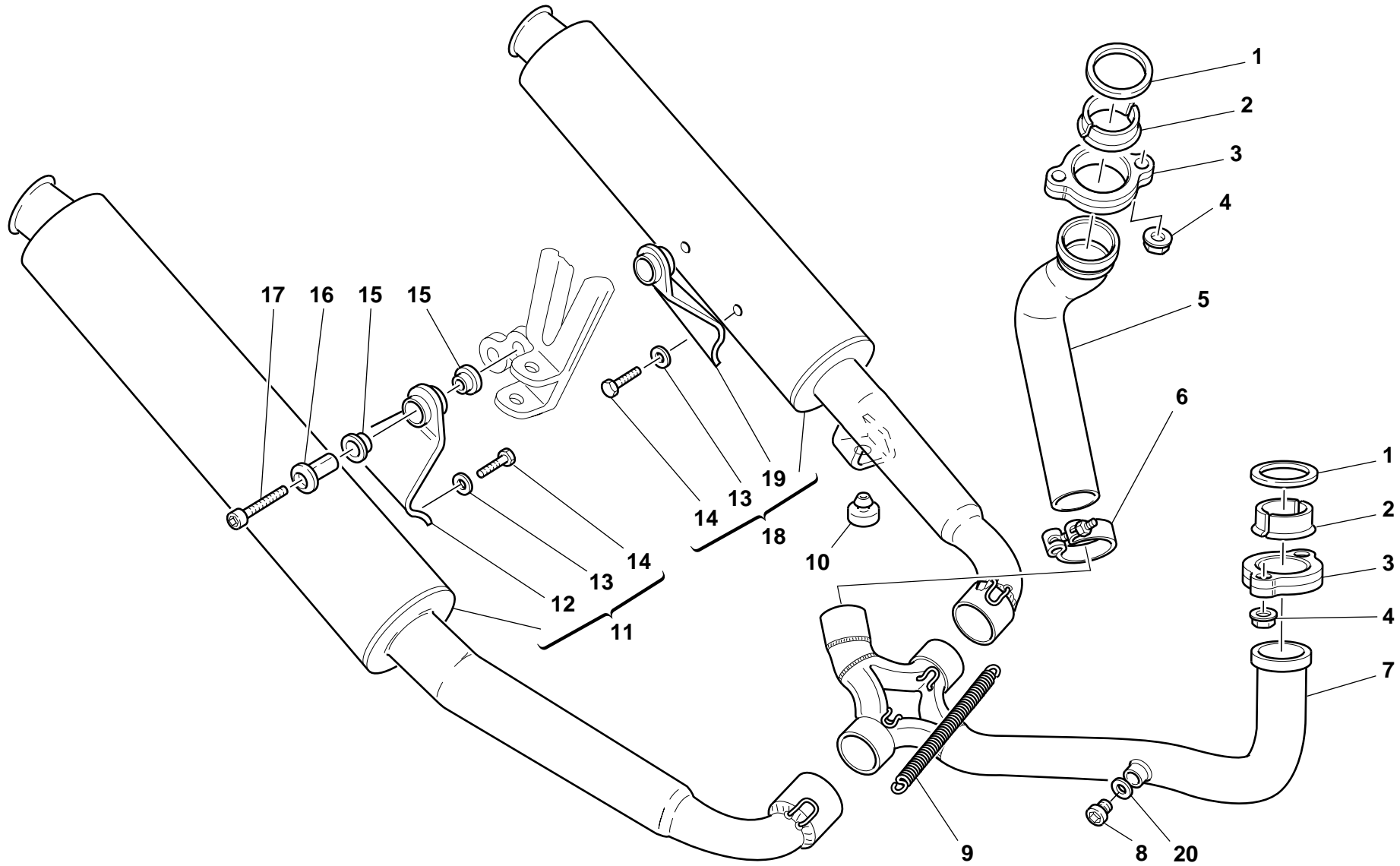
NOTES	NO.	CODE NO.	DESCRIPTION	VALIDITY	Q.TY 
	1	282.4.014.1A	Throttle body		1
	2	284.4.002.1A	Potentiometer		1
	3	741.4.022.1A	Clamp		4
	4	801.1.003.1A	Hose		2
	5	741.4.013.1B	Clamp		2
	6	741.4.040.1A	Clamp "M"		1
	7	590.1.084.1A	Tube		1
	8	287.4.024.1B	Clamp		4
	9	741.4.041.1A	Clamp "R"		1
	10	280.4.002.1A	Injector		2
	11	137.1.003.1B	Intake duct		2
	12	590.1.096.1A	Tube		1
	13	590.1.099.1A	Tube		1
	14	463.2.022.2A	O-Ring		2
	15	729908FN1	Nut		4

NOTES	NO.	CODE NO.	DESCRIPTION	VALIDITY	Q.TY 
-------	-----	----------	-------------	----------	--

TAVOLA  
DRAWING  
TABLE  
BILD  
TABLA


17

EXHAUST SYSTEM





DRAWING **17** EXHAUST SYSTEM

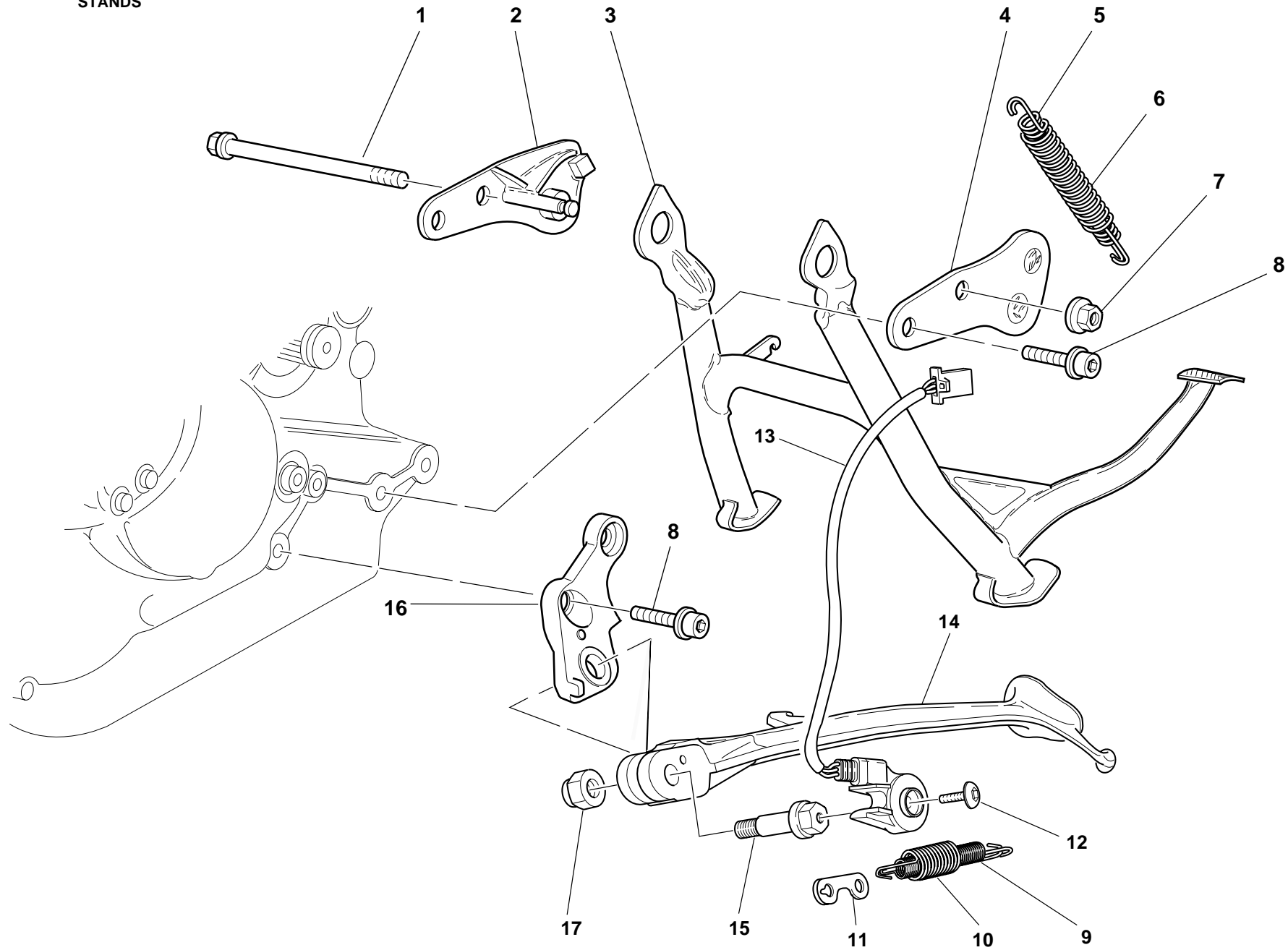
NOTES	NO.	CODE NO.	DESCRIPTION	VALIDITY	Q.TY 
	1	0370.84.005	Exhaust gasket		2
	2	0619.84.015	Half bushes		4
	3	575.1.001.1A	Exhaust ring nut (BLACK)		2
	4	0404.02.390	Nut		4
	5	571.1.018.2A	Vertical head exhaust pipe		1
	6	741.1.003.1A	Clamp		1
	7	570.1.034.1A	Horizontal head exhaust pipe		1
	8	780.1.007.1A	Cap		2
	9	799.1.072.1A	Spring		1
	10	0000.41039	Rubber pad		1
	11	573.1.046.5B	R.H. silencer	REMUS	1
	12	576.1.034.1A	R.H. bracket		1
	13	73270.8001	Washer		4
	14	70914.2121	Screw		4
	15	764.1.001.1A	Rubber pad		4
	16	711.1.083.1A	Bush		2
	17	779.5.012.1A	Screw		2
	18	574.1.046.5B	L.H. silencer	REMUS	1
	19	576.1.035.1A	L.H. bracket		1
	20	420.2.001.0A	Copper gasket		1

NOTES	NO.	CODE NO.	DESCRIPTION	VALIDITY	Q.TY 
-------	-----	----------	-------------	----------	--


TAVOLA  
DRAWING  
TABLE  
BILD  
TABLA

18

STANDS



DRAWING **18** STANDS

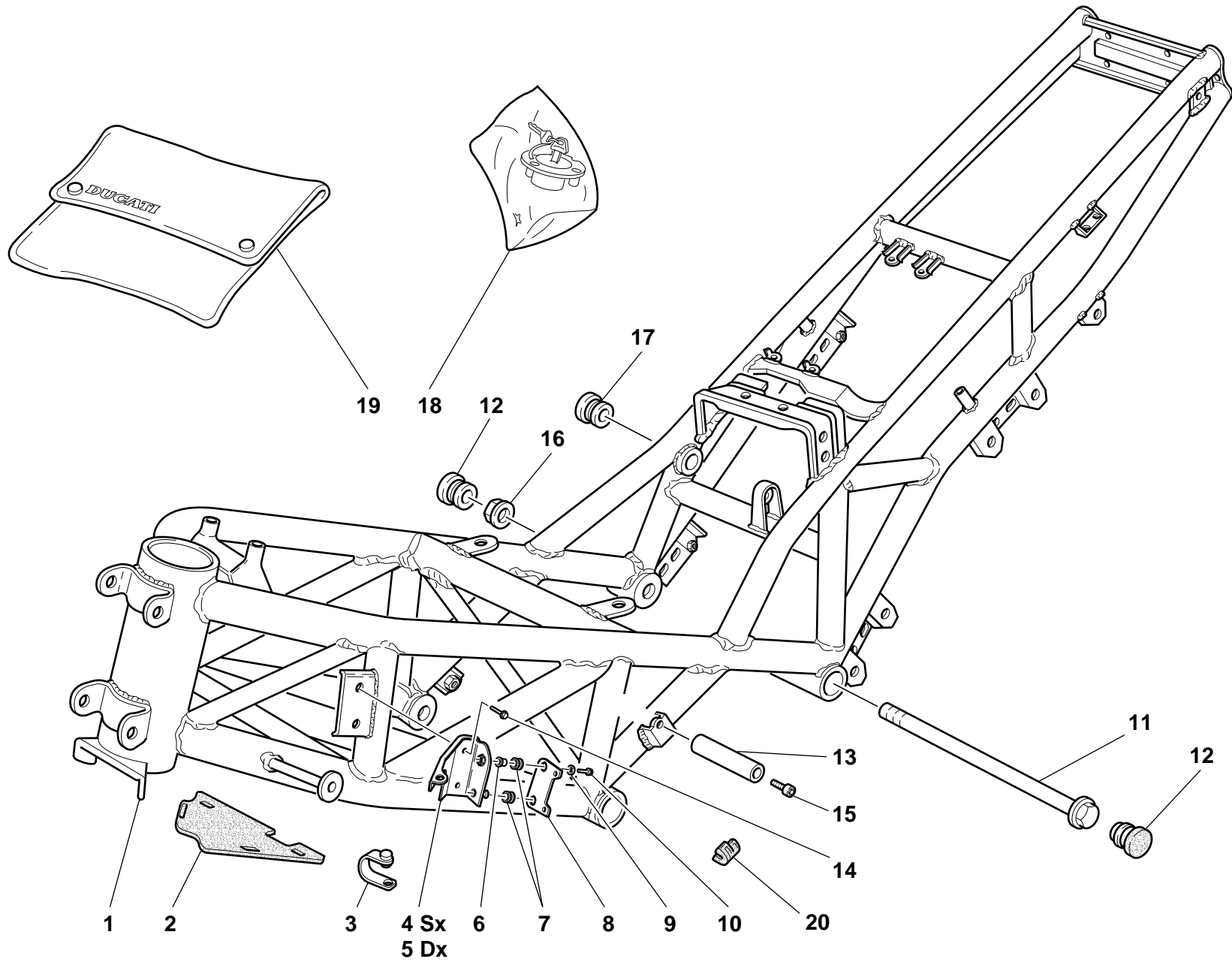
NOTES	NO.	CODE NO.	DESCRIPTION	VALIDITY	Q.TY	
	1	772.1.001.1A	Screw		1	
	2	555.1.007.1A	R. H. Plate		1	
	3	555.1.005.1A	Central stand		1	
	4	555.1.006.1A	L. H. Plate		1	
	5	799.1.069.1A	Inner spring		1	
	6	799.1.070.1A	Outer spring		1	
	7	749.4.045.2G	Nut		1	
	8	771.5.754.2B	Screw		4	
	9	799.1.089.1A	Spring		1	
	10	799.1.088.1A	Outer spring		1	
	11	827.1.139.1B	Plate		1	
	12	779.4.005.1A	Screw		1	
	13	539.1.023.1A	Switch		1	
	14	556.1.017.1C	Side stand		1	
	15	556.1.018.1C	Pivot		1	
	16	556.2.020.1B	Plate		1	
	17	749.4.045.2G	Nut		1	

NOTES	NO.	CODE NO.	DESCRIPTION	VALIDITY	Q.TY	
-------	-----	----------	-------------	----------	------	---


TAVOLA  
DRAWING  
TABLE  
BILD  
TABLA

19

FRAME



DRAWING **19** **FRAME**

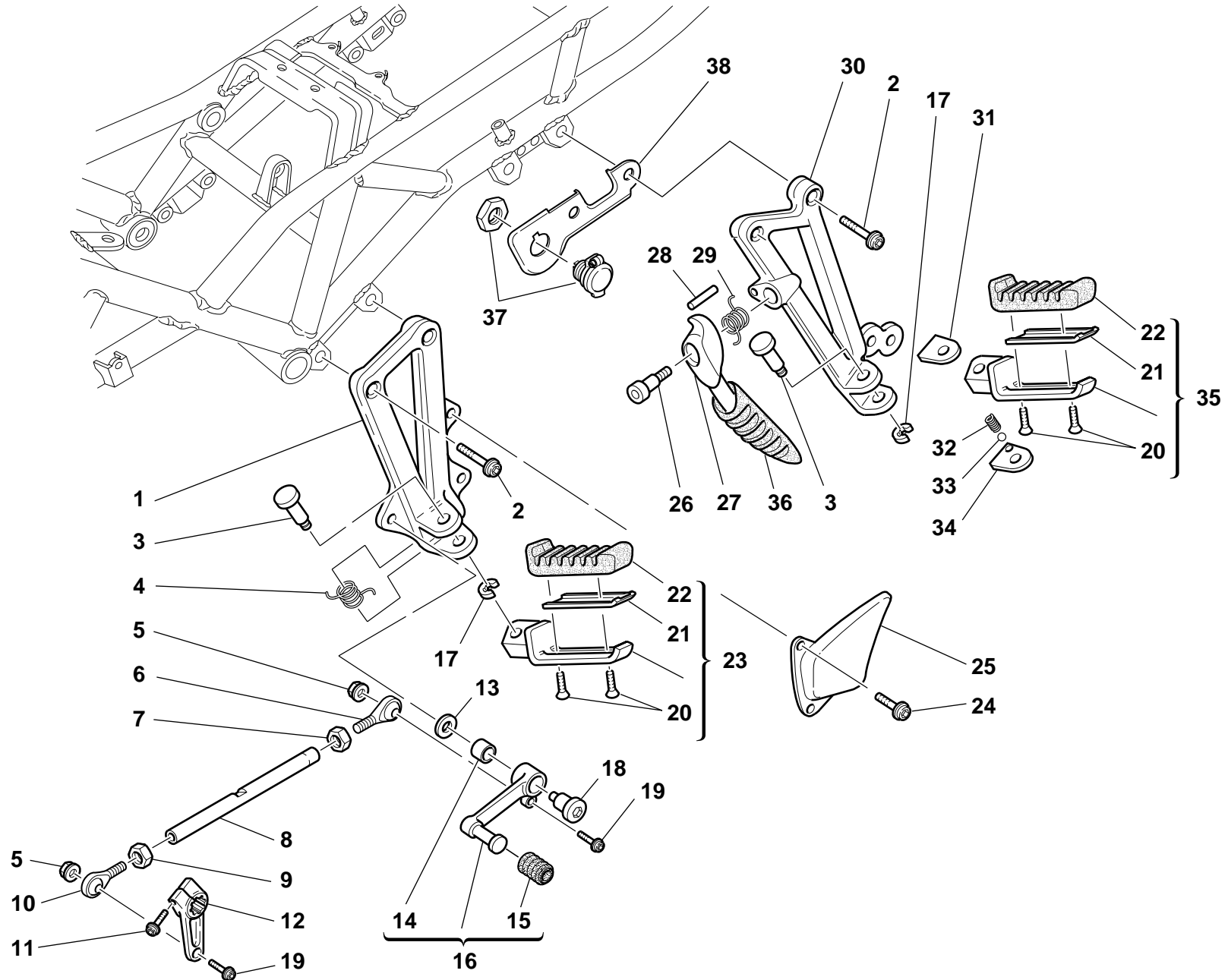
NOTES	NO.	CODE NO.	DESCRIPTION	VALIDITY	Q.TY 
	1	470.1.034.1A	Frame		1
	2	460.1.075.1A	Mudflap		1
	3	741.1.013.1A	Clamp		4
	4	829.1.170.1A	L.H. holder		1
	5	829.1.169.1A	R.H. holder		1
	6	0000.44099	Spacer		2
	7	0797.72.068	Vibration damper pad		4
	8	830.1.040.1B	Holder		2
	9	8000.56359	Washer		2
	10	0000.62726	Screw		2
	11	772.1.001.1A	Screw		2
	12	872.1.026.1A	Cap		2
	13	827.1.121.1A	Stud bolt		2
	14	772.5.024.1A	Screw		2
	15	60N102511	Screw		2
	16	729910FF1	Nut		2
	17	872.1.027.1A	Cap		1
	18	598.2.017.1A	Locks kit		1
	19	919.1.008.1A	Motrocycle's canvas cover (RED)		1
	20	866.1.034.1A	Rubber pad		2

NOTES	NO.	CODE NO.	DESCRIPTION	VALIDITY	Q.TY 
-------	-----	----------	-------------	----------	--

TAVOLA  
DRAWING  
TABLE  
BILD  
TABLA

20

L.H. FOOT RESTS



DRAWING **20** L.H. FOOT RESTS



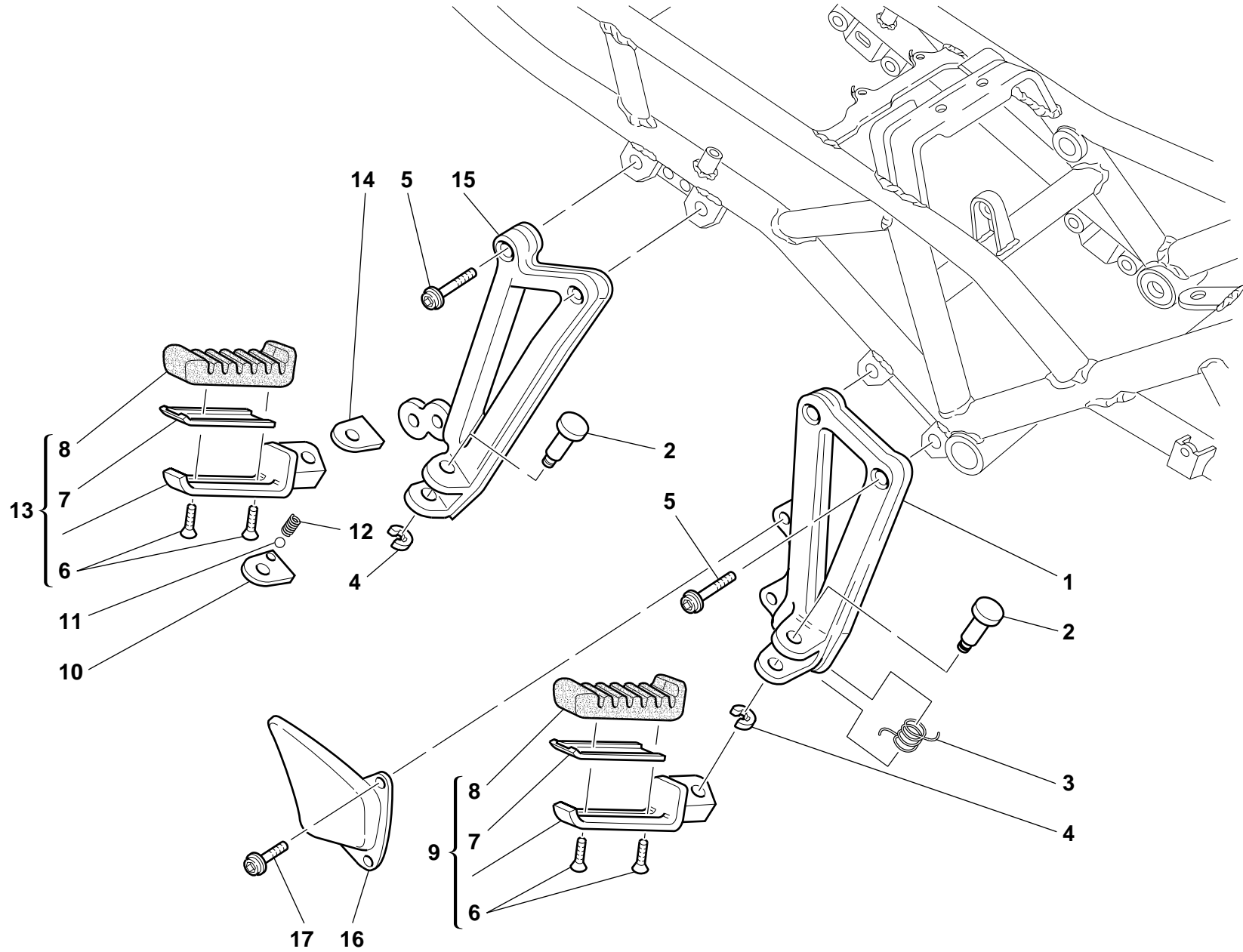
NOTES	NO.	CODE NO.	DESCRIPTION	VALIDITY	Q.TY 	NOTES	NO.	CODE NO.	DESCRIPTION	VALIDITY	Q.TY 
	1	824.1.039.1A	L.H. foot peg holder plate		1	28	861.5.003.1A	Spring pin			1
	2	771.5.725.2B	Screw		4	29	799.1.071.1A	Spring			1
	3	0370.69.920	Pin		2	30	824.1.041.1C	Rear L.H. foot peg holder plate			1
	4	0370.69.910	Spring		1	31	0370.69.970	Plate			1
	5	763106N01	El-stop nut		2	32	799.1.024.1A	Spring			1
	6	76401.0003	Ball joint		1	33	847.4.002.1A	Ball			1
	7	747.5.001.1A	L.H. nut		1	34	827.1.045.1A	Keep plate			1
	8	117.1.033.1A	Gearbox transmission rod		1	35	0370.69.860	Rear L.H. foot peg, complete			1
	9	417.9.030.6A	Nut		1	36	806.1.013.1A	Handgrip			1
	10	76401.0002	Ball joint		1	37	386.4.013.1A	Power Point			1
	11	779.5.001.1A	Screw		1	38	827.1.192.1A	Plate			1
	12	456.1.006.1A	Gearchange control lever		1						
	13	852.1.053.1A	Washer		1						
	14	8000.59056	Bush		1						
	15	765.1.001.1A	Rubber pad		1						
	16	456.2.009.1A	Gearchange lever		1						
	17	73500.0827	Circlip		2						
	18	80A0.53548	Pin		1						
	19	772.5.024.1A	Screw		2						
	20	777.5.002.1A	Screw		4						
	21	0370.69.930	Plate		2						
	22	0370.69.940	Foot peg rubber cover		2						
	23	0370.69.850	Front L.H. foot peg, complete		1						
	24	772.5.004.1A	Screw		2						
	25	460.1.062.1A	Protection		1						
	26	779.1.159.1A	Screw		1						
	27	806.1.012.1A	Handle		1						

TAVOLA  
DRAWING  
TABLE  
BILD  
TABLA

21

R.H. FOOT RESTS





DRAWING **21** R.H. FOOT RESTS

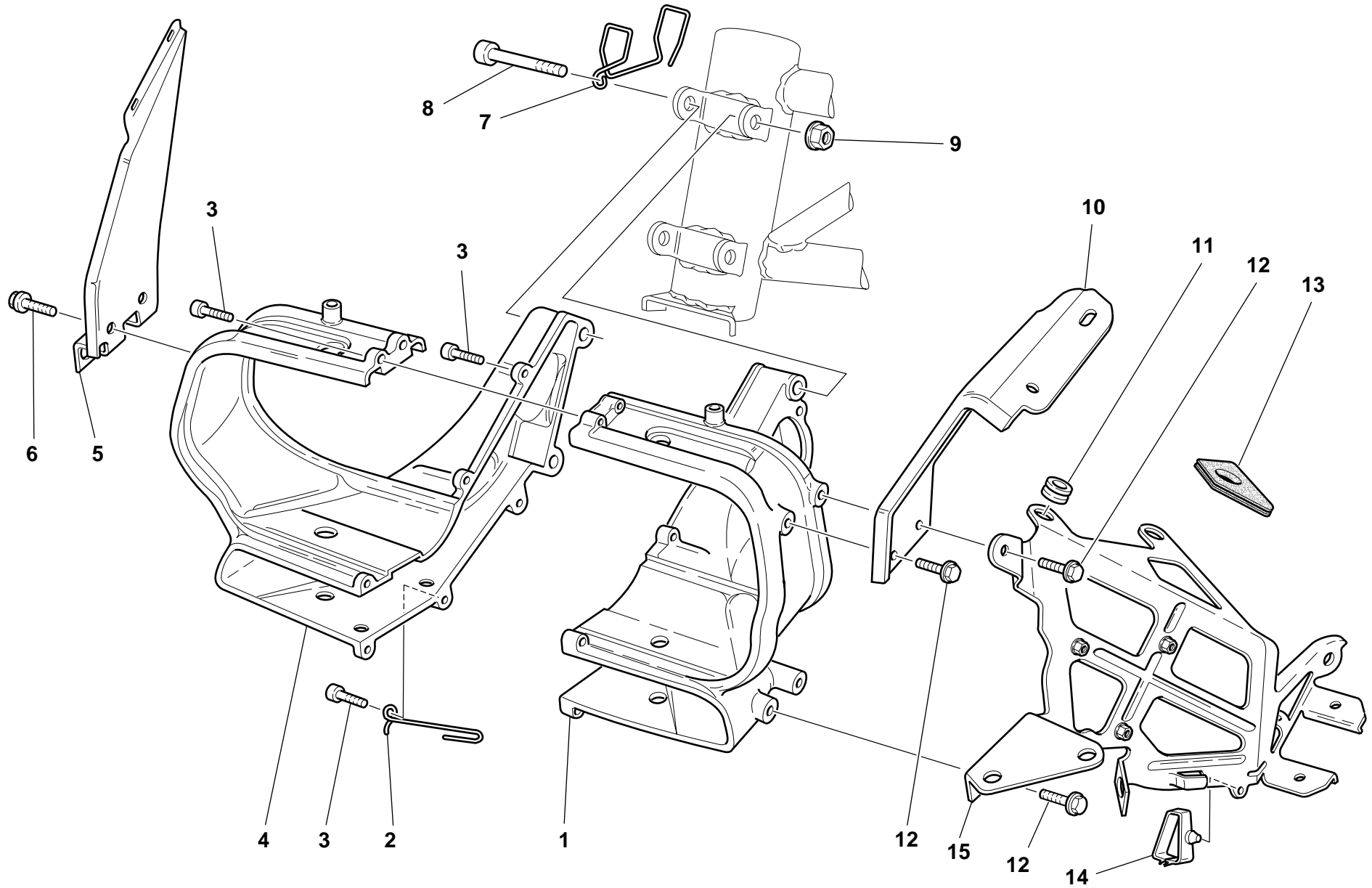
NOTES	NO.	CODE NO.	DESCRIPTION	VALIDITY	Q.TY 
	1	824.1.040.1B	R.H. foot peg holder plate		1
	2	0370.69.920	Pin		2
	3	0370.69.910	Spring		1
	4	73500.0827	Circlip		2
	5	771.5.725.2B	Screw		4
	6	777.5.002.1A	Screw		4
	7	0370.69.930	Plate		2
	8	0370.69.940	Foot peg rubber cover		2
	9	0370.69.855	Front R.H. foot peg, complete		1
	10	827.1.045.1A	Keep plate		1
	11	847.4.002.1A	Ball		1
	12	799.1.024.1A	Spring		1
	13	0370.69.865	Rear R.H. foot peg, complete		1
	14	0370.69.970	Plate		1
	15	824.1.042.1C	Rear R.H. foot peg holder plate		1
	16	460.1.063.1A	Protection		1
	17	772.5.004.1A	Screw		2

NOTES	NO.	CODE NO.	DESCRIPTION	VALIDITY	Q.TY 
-------	-----	----------	-------------	----------	--


TAVOLA  
DRAWING  
TABLE  
BILD  
TABLA

22

HEADLIGHT HOLDER



DRAWING **22** HEADLIGHT HOLDER

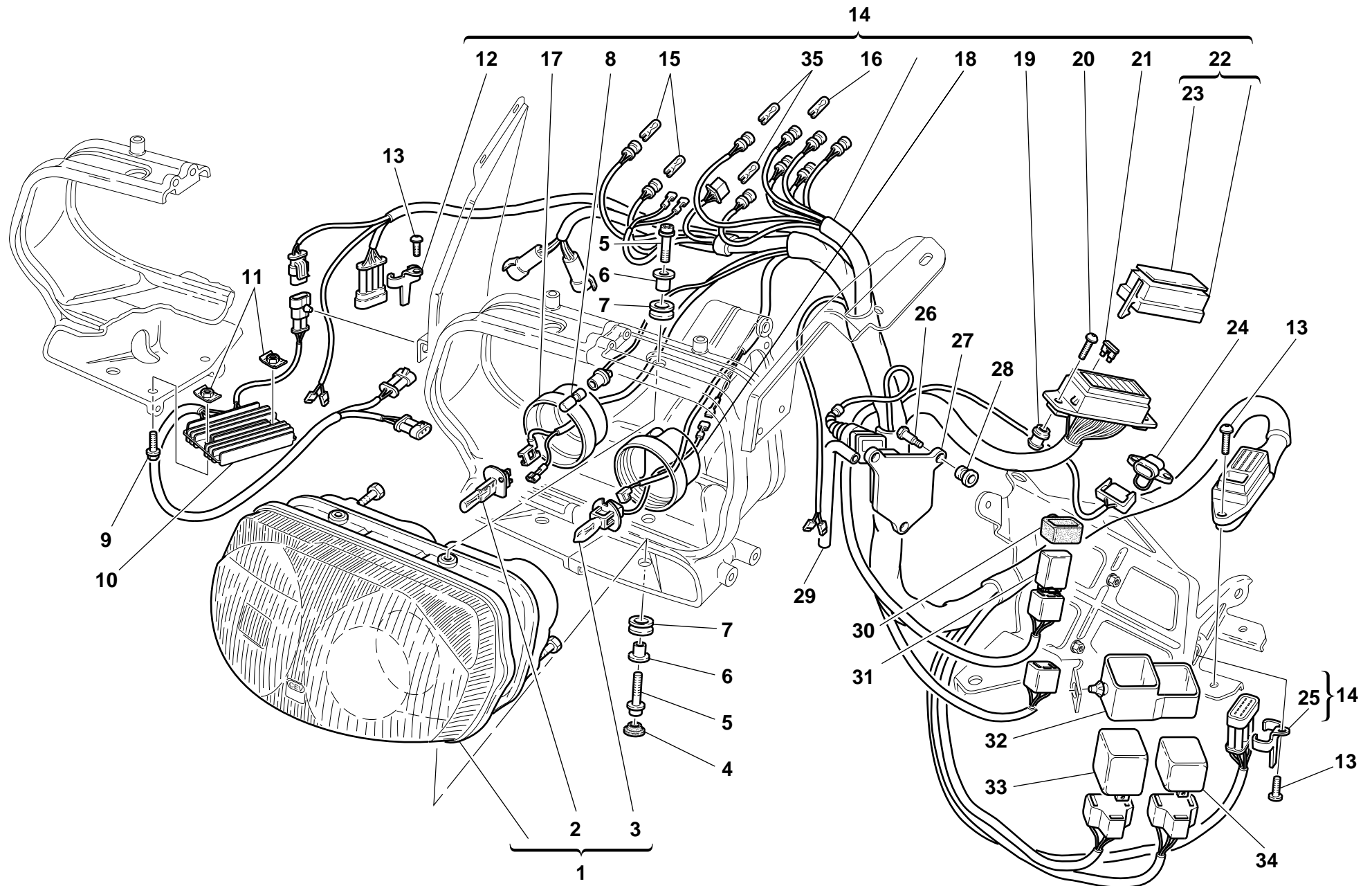
NOTES	NO.	CODE NO.	DESCRIPTION	VALIDITY	Q.TY 
	1	829.1.168.1AA	L.H. holder		1
	2	881.1.027.2A	Fairlead		1
	3	771.5.043.2B	Screw		8
	4	829.1.167.1AA	R.H. holder		1
	5	829.1.174.1A	R.H. mirror holder		1
	6	772.5.023.1A	Screw		2
	7	758.1.019.1A	Fairlead		1
	8	771.5.141.2B	Screw		2
	9	729908FN1	Nut		2
	10	829.1.175.2A	L.H. mirror holder		1
	11	0797.72.068	Vibration damper pad		2
	12	772.5.024.1A	Screw		4
	13	829.1.204.1A	Holder		1
	14	0000.60283	Clamp		1
	15	829.1.179.1A	Holder		1

NOTES	NO.	CODE NO.	DESCRIPTION	VALIDITY	Q.TY 
-------	-----	----------	-------------	----------	--

TAVOLA  
DRAWING  
TABLE  
BILD  
TABLA

23

HEAD-LIGHT AND ELECTRIC WIRING



DRAWING **23** HEAD-LIGHT AND ELECTRIC WIRING



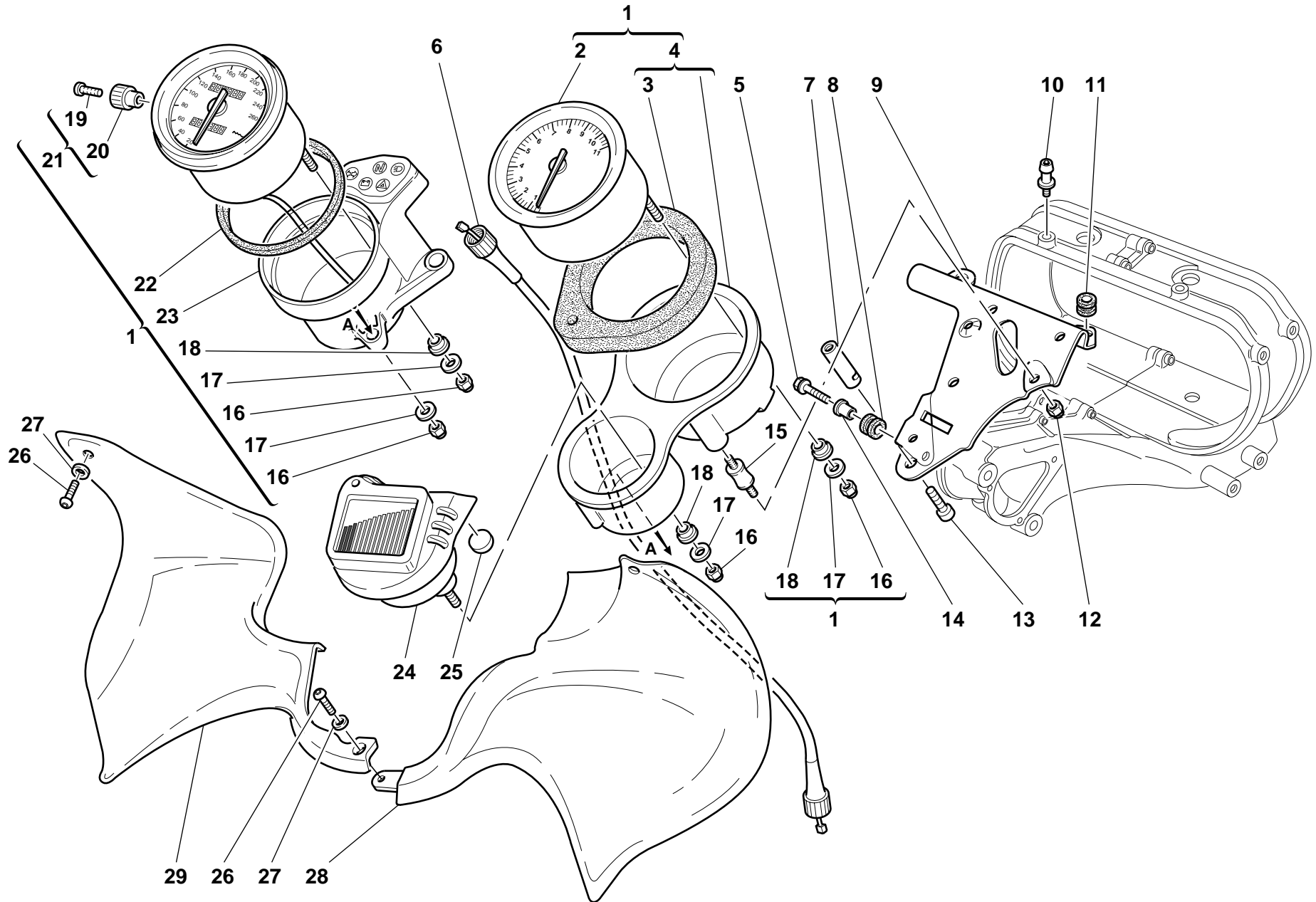
NOTES	NO.	CODE NO.	DESCRIPTION	VALIDITY	Q.TY 	NOTES	NO.	CODE NO.	DESCRIPTION	VALIDITY	Q.TY 
	1	520.4.011.2B	Complete headlight		1	25	827.1.090.1A	L.H. plate			1
	2	0000.79672	Bulb		1	26	779.1.157.1A	Special screw			3
	3	0000.79673	Bulb		1	27	552.4.002.1A	Pressure sensor			1
	4	764.4.003.1A	Fairlead		2	28	764.1.016.1A	Vibration damper pad			3
	5	772.5.024.1A	Screw		4	29	877.1.040.1A	Tube			1
	6	716.1.022.1A	Spacer		4	30	829.1.190.1A	Rubber holder			2
	7	8000.18048	Rubber pad		4	31	541.4.003.1A	Relay			2
	8	8000.36230	Bulb		1	32	829.1.183.1A	Holder			1
	9	0000.62729	Screw		2	33	538.4.005.1A	Flashing device			1
	10	540.4.011.1C	Regulator		1	34	287.4.014.1A	Relay			1
	11	827.1.166.1A	Plate		2	35	390.4.008.1A	Warning lamp bulb 12V-3W			2
	12	827.1.089.1A	R.H. plate		1						
	13	8000.59572	Screw		4						
	14	510.1.147.1A	Wiring		1						
	15	0000.56750	Warning lamp bulb12V-2.1W		2						
	16	390.4.007.1A	Warning lamp bulb12V-1.2W		4						
	17	672.1.022.1A	Headlight cover		1						
	18	672.1.019.1A	Headlight cover		1						
	19	821.1.054.1A	Pin		2						
	20	779.1.088.1A	Screw		2						
	21	389.4.006.1A	Fuse 3A		2						
	21	389.4.007.1A	Fuse 7.5A		3						
	21	389.4.008.1A	Fuse 15A		1						
	21	389.4.010.1A	Fuse 30A		2						
	22	246.1.009.1B	Cover		1						
	23	433.1.238.1A	Sticker "schema fusibili"		1						
	24	552.4.012.1A	Air temperature sensor		1						

TAVOLA  
DRAWING  
TABLE  
BILD  
TABLA

24


INSTRUMENT PANEL



DRAWING **24** INSTRUMENT PANEL

NOTES	NO.	CODE NO.	DESCRIPTION	VALIDITY	Q.TY 
	1	400.2.013.1C	Complete instrument panel		1
	2	402.4.007.1A	Tachometer		1
	3	408.1.001.1A	Vibration damper sponge		1
	4	0000.78348	Tachometer holder		1
	5	60N102488	Screw		1
	6	403.1.009.1A	Speedometer transmission		1
	7	684.1.022.1B	Stud bolt		1
	8	8000.18048	Rubber pad		1
	9	829.1.177.1A	Plate		1
	10	821.1.075.1A	Pin		2
	11	8000.18048	Rubber pad		2
	12	0000.42278	Nut		3
	13	70620.5212	Screw		1
	14	716.1.022.1A	Spacer		1
	15	0000.56752	Rubber pad		3
	16	0000.56748	Nut		7
	17	0000.56747	Washer		7
	18	408.1.010.1A	Rubber pad		5
	19	776.4.002.1A	Screw		1
	20	0000.56742	Grip		1
	21	401.4.012.1A	Speedometer (miles)		1
	22	0000.56741	Gasket		1
	23	407.4.001.1B	Speedometer holder		1
	24	404.1.003.1A	Module LCD (°F)		1
	25	764.5.018.1A	Rubber pad		3
	26	779.1.116.1A	Screw		3
	27	852.1.024.1A	Nylon washer		3

CATALOGUE No.: 915.1.046.1C  
ISSUED: 11 - 99

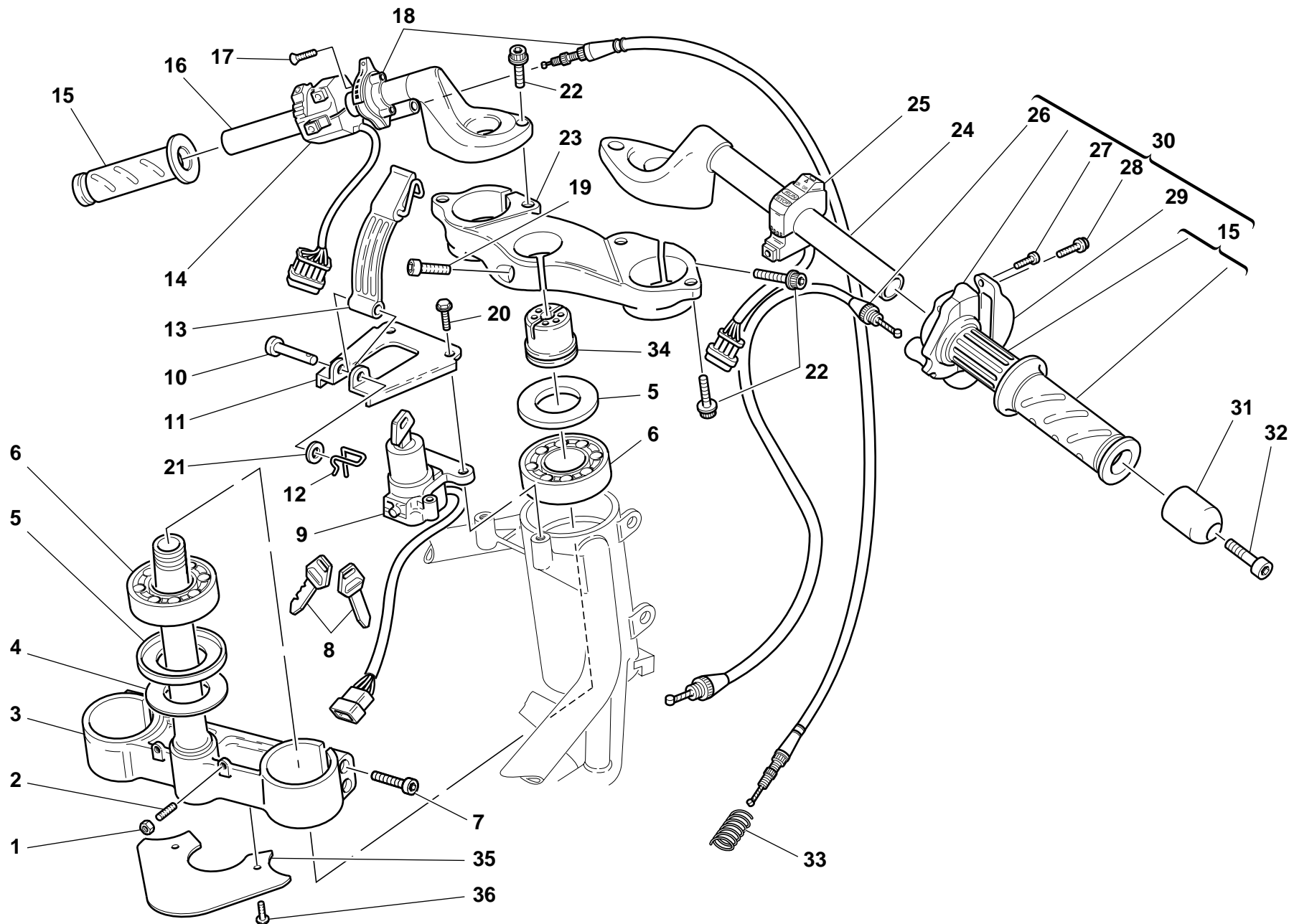
NOTES	NO.	CODE NO.	DESCRIPTION	VALIDITY	Q.TY 
	28	460.1.073.1A	R.H. side panel		1
	29	460.1.074.1A	L.H. side panel		1

CATALOGUE No.: 915.1.046.1C  
ISSUED: 11 - 99

TAVOLA  
DRAWING  
TABLE  
BILD  
TABLA


25

HANDLEBAR AND CONTROLS






DRAWING **25** HANDLEBAR AND CONTROLS

NOTES	NO.	CODE NO.	DESCRIPTION	VALIDITY	Q.TY 
	1	417.9.030.8A	Nut		2
	2	779.1.099.1A	Special screw		2
	3	342.2.015.1A	Steering head base		1
	4	852.1.103.1A	Washer		1
	5	930.1.004.1A	Seal ring		2
	6	702.4.004.1A	Bearing		2
	7	60N102557	Screw		4
	8	598.4.011.3A	Wrench		1
	9	652.4.004.3A	Key-operated switch		1
	10	821.1.073.1A	Pin		1
	11	827.1.122.1A	Plate		1
	12	0000.62705	Split pin		1
	13	0000.70178	Belt		1
	14	651.4.008.1A	L.H. switch		1
	15	0000.78345	Grips pair		1
	16	360.1.015.1B	L.H. handlebar		1
	17	777.5.210.2A	Screw		2
	18	655.2.005.1A	Starter control		1
	19	779.5.012.1A	Screw		1
	20	772.5.024.1A	Screw		2
	21	734305N01	Washer		1
	22	771.5.725.2B	Screw		6
	23	341.1.020.1A	Steering head		1
	24	360.1.014.1B	R.H. handlebar		1
	25	650.4.006.1B	R.H. switch		1
	26	656.1.018.1A	Throttle control transmission		1
	27	0000.66774	Screw		2

CATALOGUE No.: 915.1.046.1C  
ISSUED: 11 - 99

NOTES	NO.	CODE NO.	DESCRIPTION	VALIDITY	Q.TY 
	28	772.5.023.1A	Screw		2
	29	658.4.002.1B	Cover		1
	30	654.4.006.1A	Throttle control		1
	31	153.1.005.1A	Counterweight		2
	32	779.5.012.1A	Screw		2
	33	799.1.058.1A	Starter control transmission return spring		1
	34	703.1.013.1A	Ring nut		1
	35	460.1.076.1A	Mudflap		1
	36	772.5.004.1A	Screw		2

CATALOGUE No.: 915.1.046.1C  
ISSUED: 11 - 99



DRAWING **26** FRONT FORK

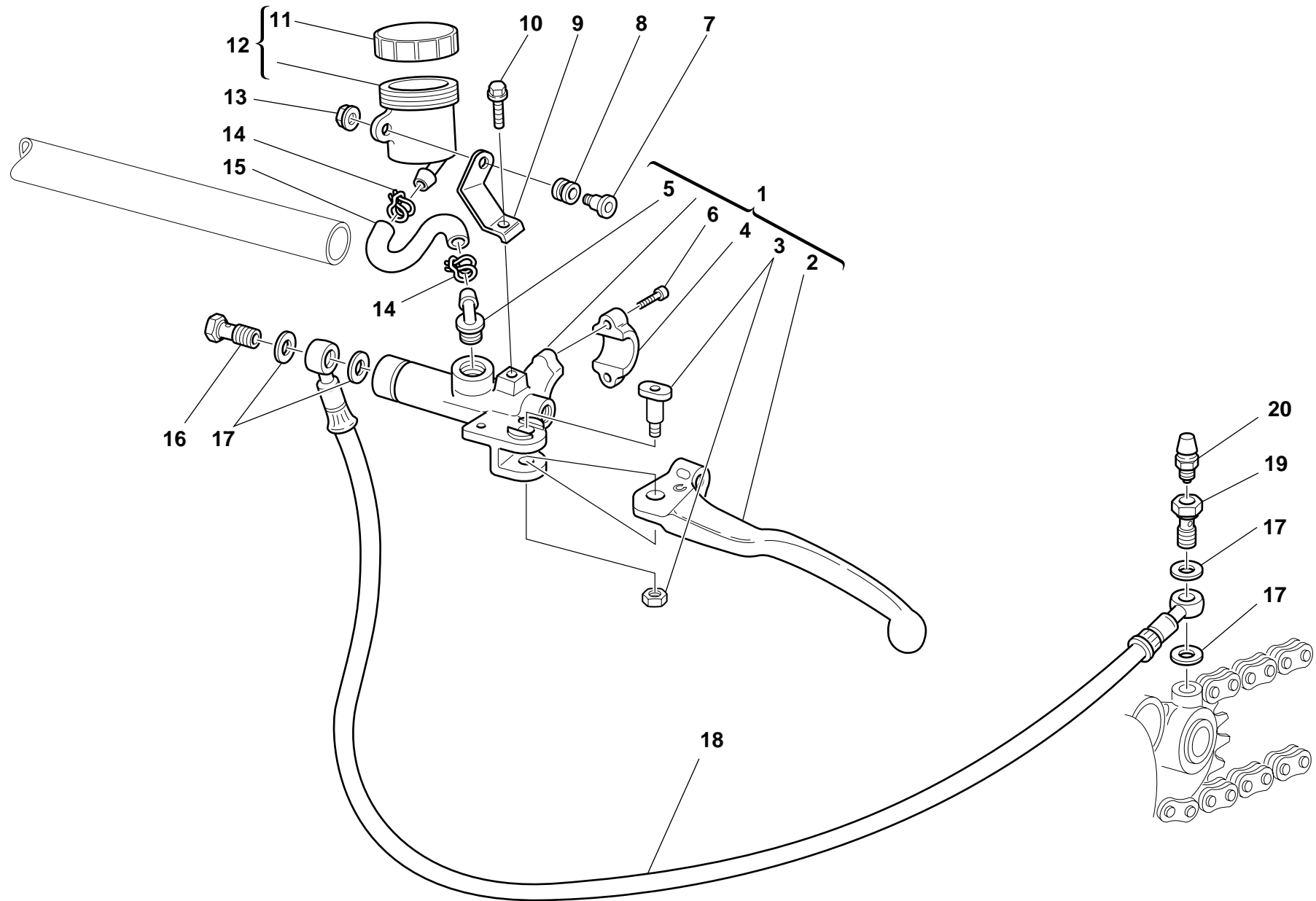
NOTES	NO.	CODE NO.	DESCRIPTION	VALIDITY	Q.TY 
	1	340.2.069.1B	R.H. fork leg assembly		1
	2	349.1.095.1A	Centering ring		2
	3	349.1.112.1A	Spring coupling		2
	4	340.2.070.1B	L.H. fork leg assembly		1
	5	884.1.005.1A	Ring		2
	6	347.1.014.1A	Spring		2
	7	349.1.097.1A	Spring coupling		2
	8	349.1.064.1A	Slider		2
	9	349.1.065.1A	Rubber cush drive hub		2
	10	349.2.014.1A	Complete cap		2
	11	349.1.098.1A	Snap ring		2
	12	8000.70127	Clamp		3
	13	8A00.69056	Screw		4
	14	8000.70133	Clamp		1
	15	349.2.010.1A	Adjusting screw		2
	16	349.1.096.1A	Special washer		2
	17	349.1.109.1A	Complete R.H. slider		1
	18	349.1.101.1A	Dust seal		2
	19	930.1.005.1A	Seal ring		2
	20	349.1.102.1A	Check ring		2
	21	349.1.103.1A	Bush		2
	22	349.1.111.1A	Stanchion tube		2
	23	349.1.120.1A	Bush		2
	24	349.1.110.1A	Complete L.H. slider		1

NOTES	NO.	CODE NO.	DESCRIPTION	VALIDITY	Q.TY 
-------	-----	----------	-------------	----------	--


TAVOLA  
DRAWING  
TABLE  
BILD  
TABLA

27

CLUTCH CONTROL



DRAWING **27** CLUTCH CONTROL

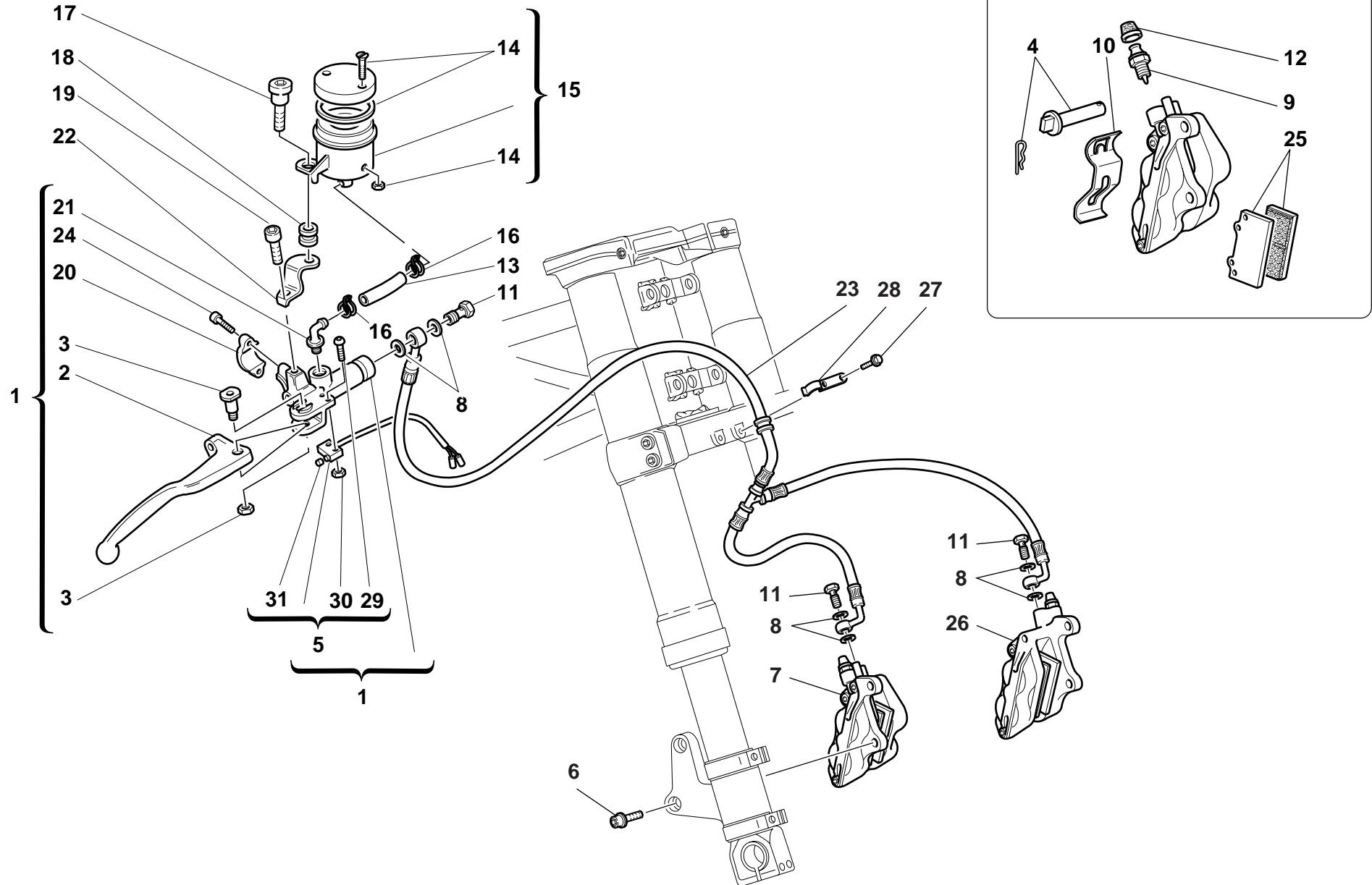
NOTES	NO.	CODE NO.	DESCRIPTION	VALIDITY	Q.TY 
	1	630.4.006.1A	Clutch drive pump		1
	2	626.1.003.1A	Lever with dowel		1
	3	0000.46664	Spare lever pin		1
	4	626.4.010.1A	Spare bracket		1
	5	631.4.008.1A	Spare union		1
	6	771.5.667.2B	Screw		2
	7	779.1.092.1A	Screw		1
	8	0370.72.020	Vibration damper pad		1
	9	829.1.241.1A	Plate		1
	10	70700.6N02	Screw		1
	11	893.4.005.1A	Cap		1
	12	0000.61078	Complete oil tank		1
	13	8000.56443	Nut		1
	14	741.4.043.1A	Clamp		2
	15	877.1.069.1A	Tube		1
	16	779.1.058.1A	Special screw		1
	17	420.2.001.0A	Copper gasket		4
	18	632.1.013.1A	Clutch control pipe		1
	19	779.1.082.1A	Filler		1
	20	0000.33552	Bleed		1

NOTES	NO.	CODE NO.	DESCRIPTION	VALIDITY	Q.TY 
-------	-----	----------	-------------	----------	--

TAVOLA  
DRAWING  
TABLE  
BILD  
TABLA

28

FRONT HYDRAULIC BRAKE



DRAWING **28** FRONT HYDRAULIC BRAKE

NOTES	NO.	CODE NO.	DESCRIPTION	VALIDITY	Q.TY 
	1	624.4.012.1B	Front brake pump		1
	2	626.1.003.1A	Lever with dowel		1
	3	0000.46664	Spare lever pin		1
	4	612.4.014.1A	Spare pins and spring		2
	5	539.4.004.1B	Microswitch		1
	6	771.5.431.2B	Screw		4
	7	610.4.012.2B	R.H. brake caliper		1
	8	420.2.001.0A	Copper gasket		6
	9	631.4.004.1A	Spare bleed union		2
	10	612.4.017.1A	Spring		2
	11	779.1.058.1A	Special screw		3
	12	612.4.008.1A	Dust seal		2
	13	877.1.068.1A	Tube		1
	14	8000.68490	Spare cap		1
	15	0000.66181	Complete oil tank		1
	16	741.4.043.1A	Clamp		2
	17	779.1.092.1A	Screw		1
	18	0370.72.020	Vibration damper pad		1
	19	70700.6N02	Screw		1
	20	626.4.008.1B	Spare bracket		1
	21	631.4.008.1A	Spare union		1
	22	829.1.240.1A	Bracket		1
	23	618.4.032.1B	Caliper pump pipe		1
	24	771.5.667.2B	Screw		2
	25	613.4.020.1A	Pads pair		2
	26	610.4.011.2B	L.H. brake caliper		1


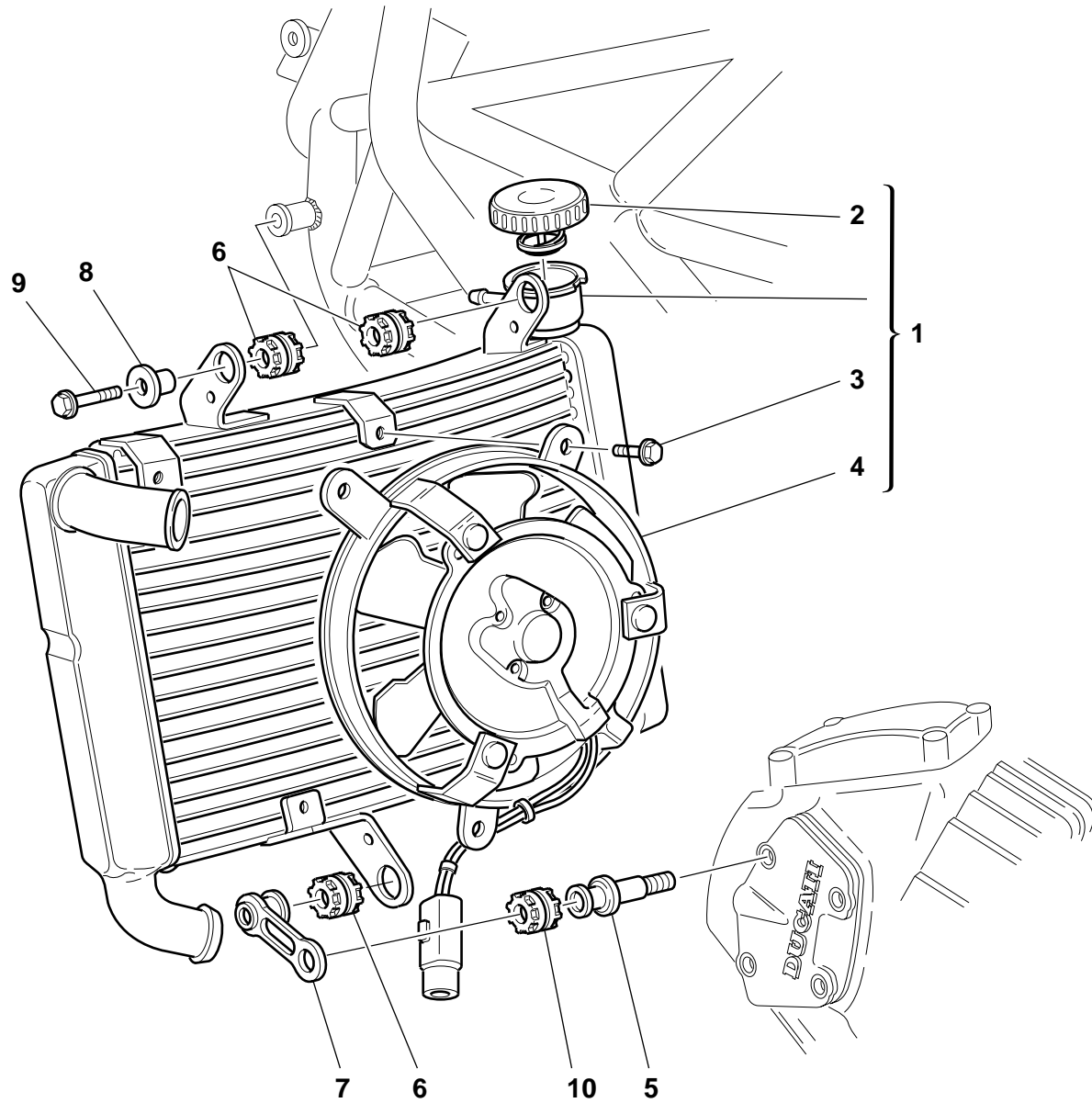
NOTES	NO.	CODE NO.	DESCRIPTION	VALIDITY	Q.TY 
	27	772.5.025.1A	Screw		2
	28	829.1.208.1A	Holder		1
	29	776.5.307.2A	Screw		2
	30	72465.0214	Nut		2
	31	195.4.002.1A	Rubber pad		1

TAVOLA  
DRAWING  
TABLE  
BILD  
TABLA


29

WATER RADIATOR ASSY





DRAWING **29** WATER RADIATOR ASSY

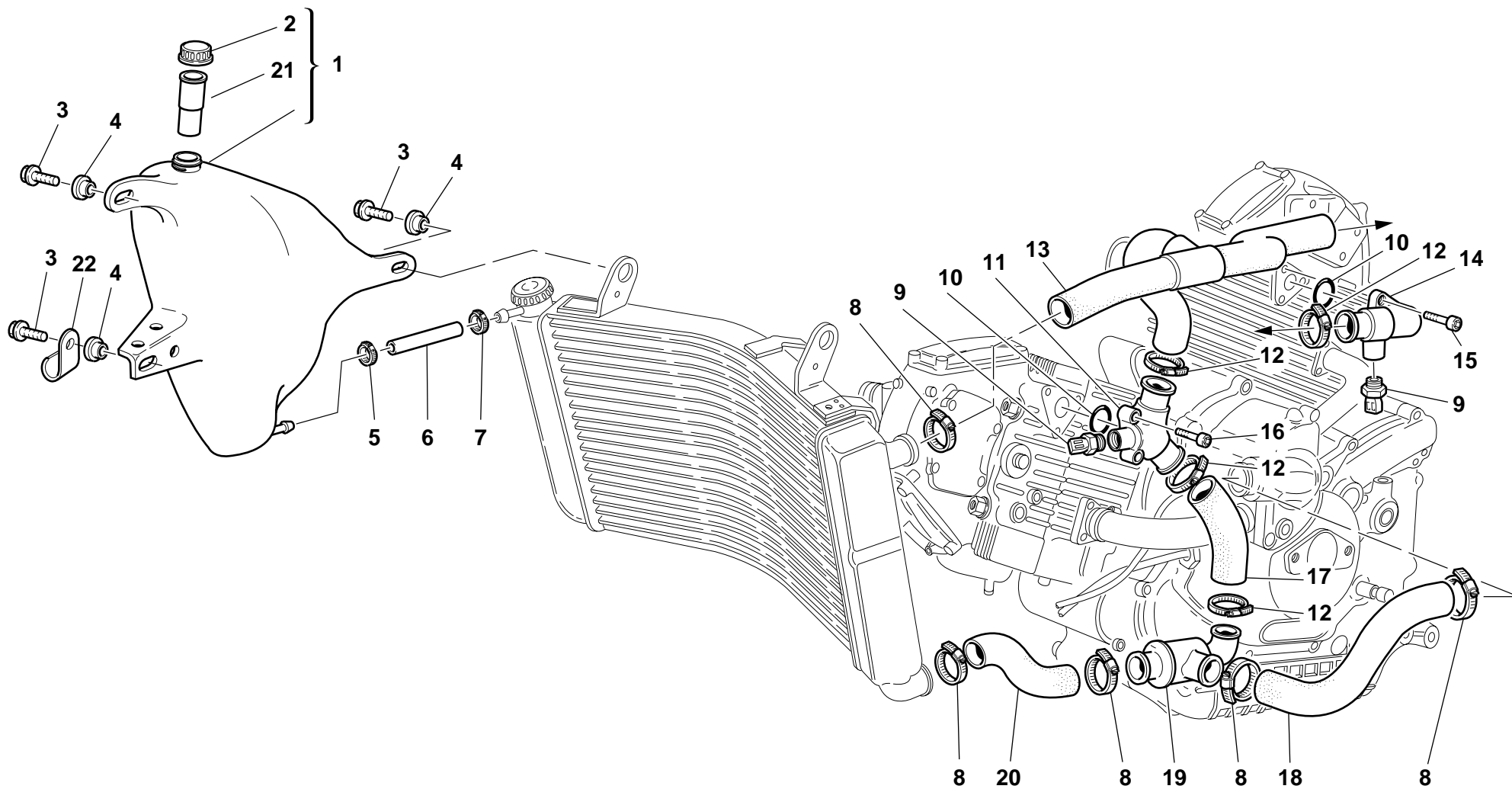
NOTES	NO.	CODE NO.	DESCRIPTION	VALIDITY	Q.TY 
	1	548.4.019.1A	Water radiator		1
	2	893.1.003.1A	Radiator cap		1
	3	772.5.025.1A	Screw		3
	4	550.4.008.1A	Electric fan		1
	5	779.1.160.1A	Special screw		1
	6	764.1.022.1A	Vibration damper pad		4
	7	827.2.003.1A	Bracket		1
	8	0000.62652	Spacer		1
	9	772.5.023.1A	Screw		1
	10	764.1.022.1A	Vibration damper pad		1

NOTES	NO.	CODE NO.	DESCRIPTION	VALIDITY	Q.TY 
-------	-----	----------	-------------	----------	--


TAVOLA  
DRAWING  
TABLE  
BILD  
TABLA

30

COOLING CIRCUIT



DRAWING **30** COOLING CIRCUIT

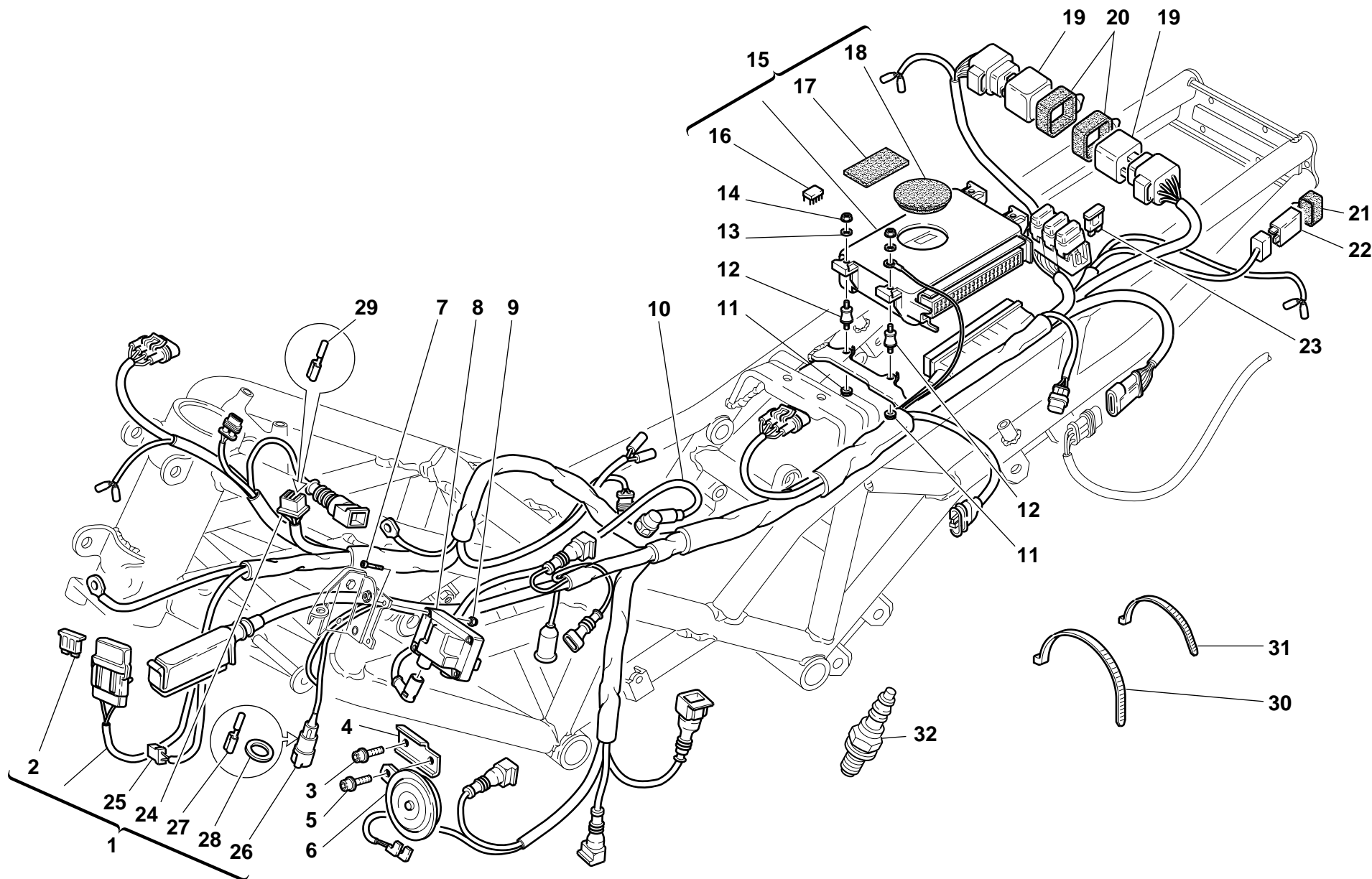
NOTES	NO.	CODE NO.	DESCRIPTION	VALIDITY	Q.TY 
	1	585.1.020.1A	Water tank		1
	2	0000.40427	Tank cap		1
	3	772.5.023.1A	Screw		4
	4	716.1.038.1A	Spacer		4
	5	8A00.67.610	Clamp		1
	6	800.1.049.1A	Hose		1
	7	741.4.001.1A	Clamp		1
	8	741.4.025.1A	Clamp		5
	9	552.4.013.1A	Water temperature sensor		2
	10	93823.2087	O-ring		2
	11	814.1.059.1A	Water outlet union		1
	12	741.4.002.1A	Clamp		4
	13	800.1.048.1A	Radiator/head hose		1
	14	814.1.053.1A	Water outlet union		1
	15	60N102511	Screw		3
	16	771.5.072.2B	Screw		3
	17	800.1.033.1A	Thermostat/pump hose		1
	18	800.1.031.1A	Thermostat/pump hose		1
	19	553.4.003.1A	Thermostat		1
	20	800.1.047.1A	Cooler/thermostat hose		1
	21	711.1.084.1A	Bush		1
	22	741.4.055.1A	Clamp		1

NOTES	NO.	CODE NO.	DESCRIPTION	VALIDITY	Q.TY 
-------	-----	----------	-------------	----------	--

TAVOLA  
DRAWING  
TABLE  
BILD  
TABLA

31


ELECTRIC SYSTEM



DRAWING **31** ELECTRIC SYSTEM

NOTES	NO.	CODE NO.	DESCRIPTION	VALIDITY	Q.TY 
	1	510.1.141.1B	Electric wiring		1
	2	389.4.014.1A	Fuse 40A		1
	3	771.5.723.2B	Screw		1
	4	829.1.196.1A	Holder		1
	5	771.5.721.2B	Screw		1
	6	516.4.001.1AB	Horn (BLACK)		1
	7	771.5.025.2B	Screw		4
	8	285.4.003.1A	Coil		2
	9	749.5.001.1A	Nut		4
	10	671.1.008.1A	Head spark plug wiring		2
	11	750.5.001.1A	Nut		4
	12	700.1.023.2A	Vibration damper		4
	13	80A0.06385	Washer		1
	14	750.5.001.1A	Nut		4
	15	286.4.013.1A	Injection control unit		1
	16	546.1.110.1A	EPROM 067		1
	17	433.1.179.1A	Plate "NON RIMUOVERE"		1
	18	872.4.018.1A	Rubber cap		1
	19	287.4.040.2A	Relay		2
	20	829.1.127.1A	Holder		2
	21	829.1.190.1A	Rubber holder		1
	22	541.4.003.1A	Relay		1
	23	389.4.015.1A	Fuse 5A		1
	23	389.4.007.1A	Fuse 7.5A		2
	23	389.4.013.1A	Fuse 20A		1
	24	0000.66526	Connector		1
	25	0000.56803	Connector		1

CATALOGUE No.: 915.1.046.1C  
ISSUED: 11 - 99

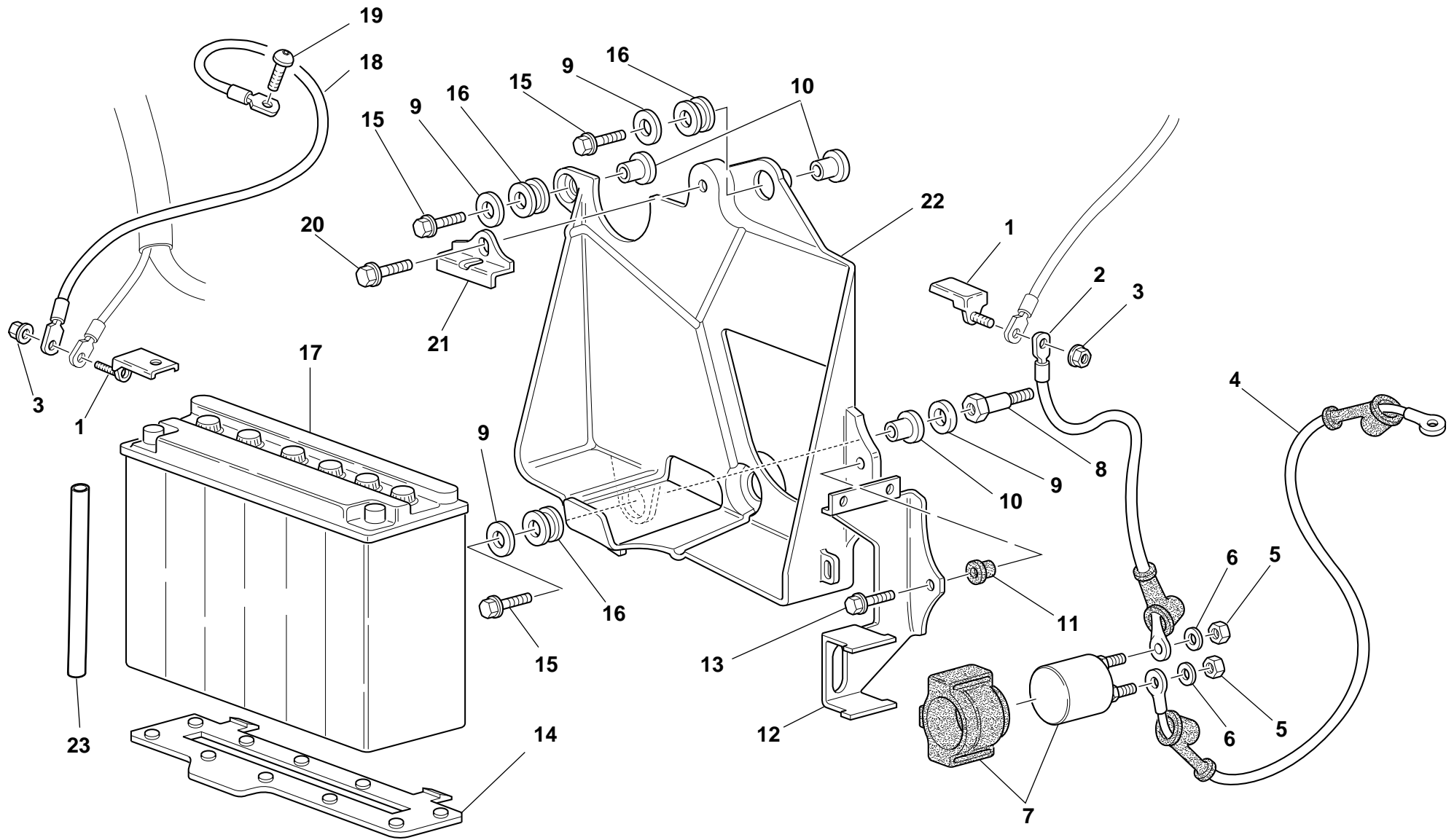
NOTES	NO.	CODE NO.	DESCRIPTION	VALIDITY	Q.TY 
	26	386.4.006.1A	Connector		1
	27	387.4.002.1A	End section		2
	28	764.4.005.1A	Rubber pad		1
	29	0000.66527	End section		4
	30	0691.91.030	Clamp		13
	31	741.4.038.1A	Clamp		12
	32	670.4.007.1A	Spark plug		2

CATALOGUE No.: 915.1.046.1C  
ISSUED: 11 - 99

TAVOLA  
DRAWING  
TABLE  
BILD  
TABLA

32

BATTERY BOX MOUNT



DRAWING **32** BATTERY BOX MOUNT

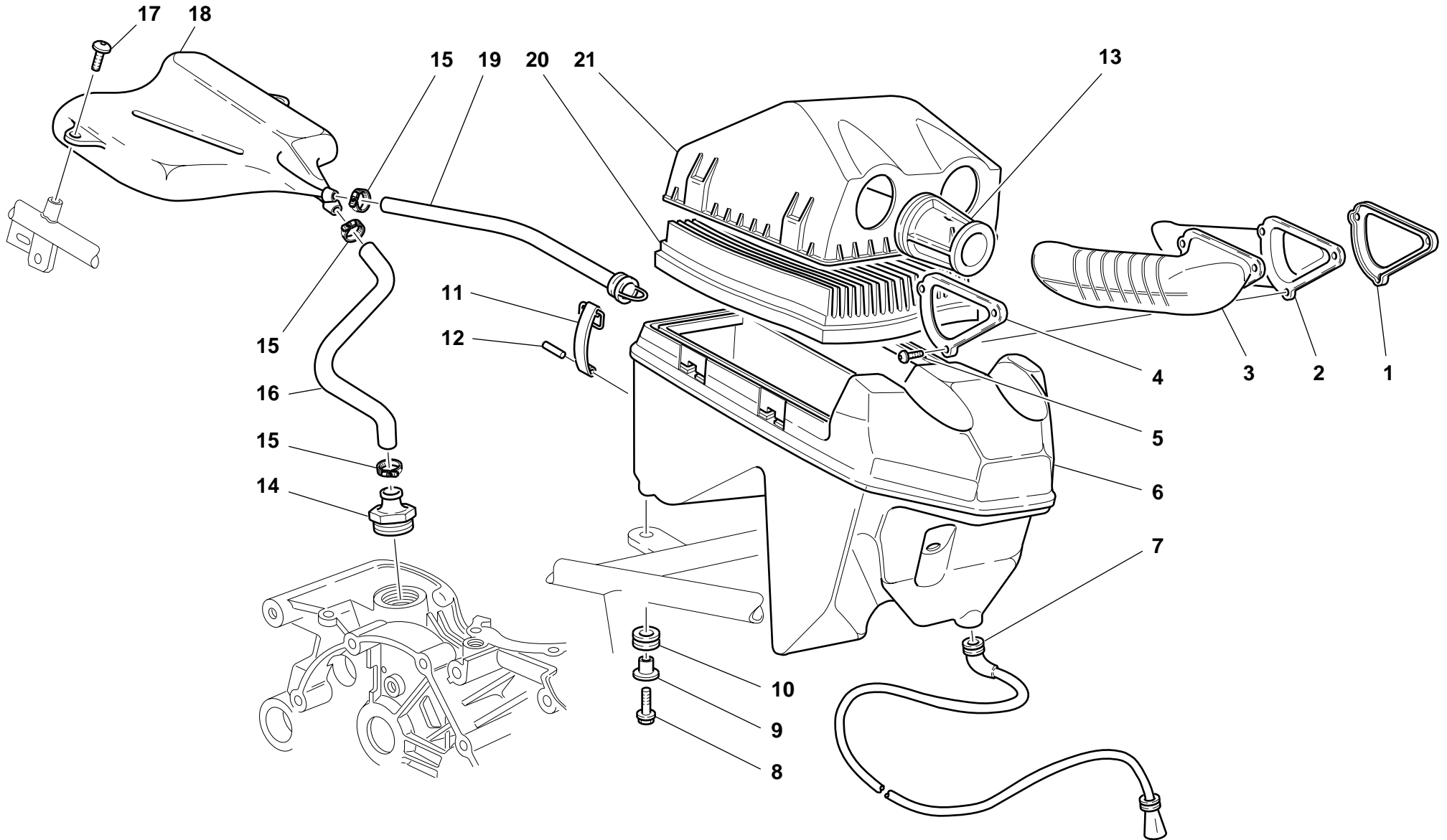
NOTES	NO.	CODE NO.	DESCRIPTION	VALIDITY	Q.TY 
	1	827.1.077.1A	Plate		2
	2	514.1.016.1A	Battery-solenoid starter cable		1
	3	8000.56443	Nut		2
	4	514.1.017.1A	Solenoid starter-starter motor cable		1
	5	417.9.050.6A	Nut		2
	6	734006N01	Spring washer		5
	7	397.4.001.1A	Remote switch		1
	8	684.1.020.1A	Stud bolt		1
	9	8000.56359	Washer		4
	10	716.1.022.1A	Spacer		3
	11	0364.99.020	Bush		1
	12	827.1.071.1A	Plate		1
	13	0000.62726	Screw		1
	14	866.1.031.1A	Rubber pad		1
	15	772.5.023.1A	Screw		3
	16	300182	Rubber pad		3
	17	395.4.001.1A	Battery		1
	18	513.1.008.1D	Battery grounding cable		1
	19	775.1.006.1A	Special screw		1
	20	772.5.025.1A	Screw		1
	21	827.1.072.1A	Plate		1
	22	829.1.172.1A	Battery box mount		1
	23	877.1.055.1A	Battery breather pipe		1

NOTES	NO.	CODE NO.	DESCRIPTION	VALIDITY	Q.TY 
-------	-----	----------	-------------	----------	--

TAVOLA  
DRAWING  
TABLE  
BILD  
TABLA

33


AIR INDUCTIO AND OIL VENT





DRAWING **33**

## AIR INDUCTIO AND OIL VENT

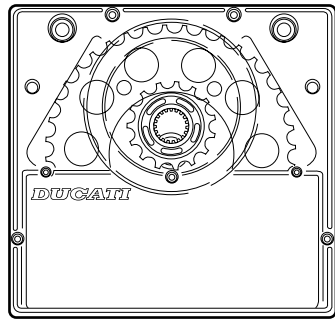
NOTES	NO.	CODE NO.	DESCRIPTION	VALIDITY	Q.TY 
	1	827.1.123.1A	L.H. plate		1
	2	135.1.013.1B	L.H. hose		1
	3	135.1.014.1B	R.H. hose		1
	4	827.1.124.1A	R.H. plate		1
	5	779.1.088.1A	Screw		6
	6	442.2.032.1A	Air filter box		1
	7	877.2.002.1A	Tube		1
	8	772.5.023.1A	Screw		3
	9	716.1.022.1A	Spacer		3
	10	8000.18048	Rubber pad		3
	11	760.1.003.1A	Hook		4
	12	74223.1045	Spring pin		4
	13	135.1.015.1A	Air funnel		2
	14	593.1.003.1B	Breather valve		1
	15	741.4.002.1A	Clamp		3
	16	876.1.066.1A	Breather pipe		1
	17	0364.99.015	Screw		2
	18	585.1.019.1A	Oil breather tank		1
	19	876.1.067.1A	Breather pipe		1
	20	0370.98.610	Filter element		1
	21	246.1.055.1A	Filter case cover		1

NOTES	NO.	CODE NO.	DESCRIPTION	VALIDITY	Q.TY 
-------	-----	----------	-------------	----------	--

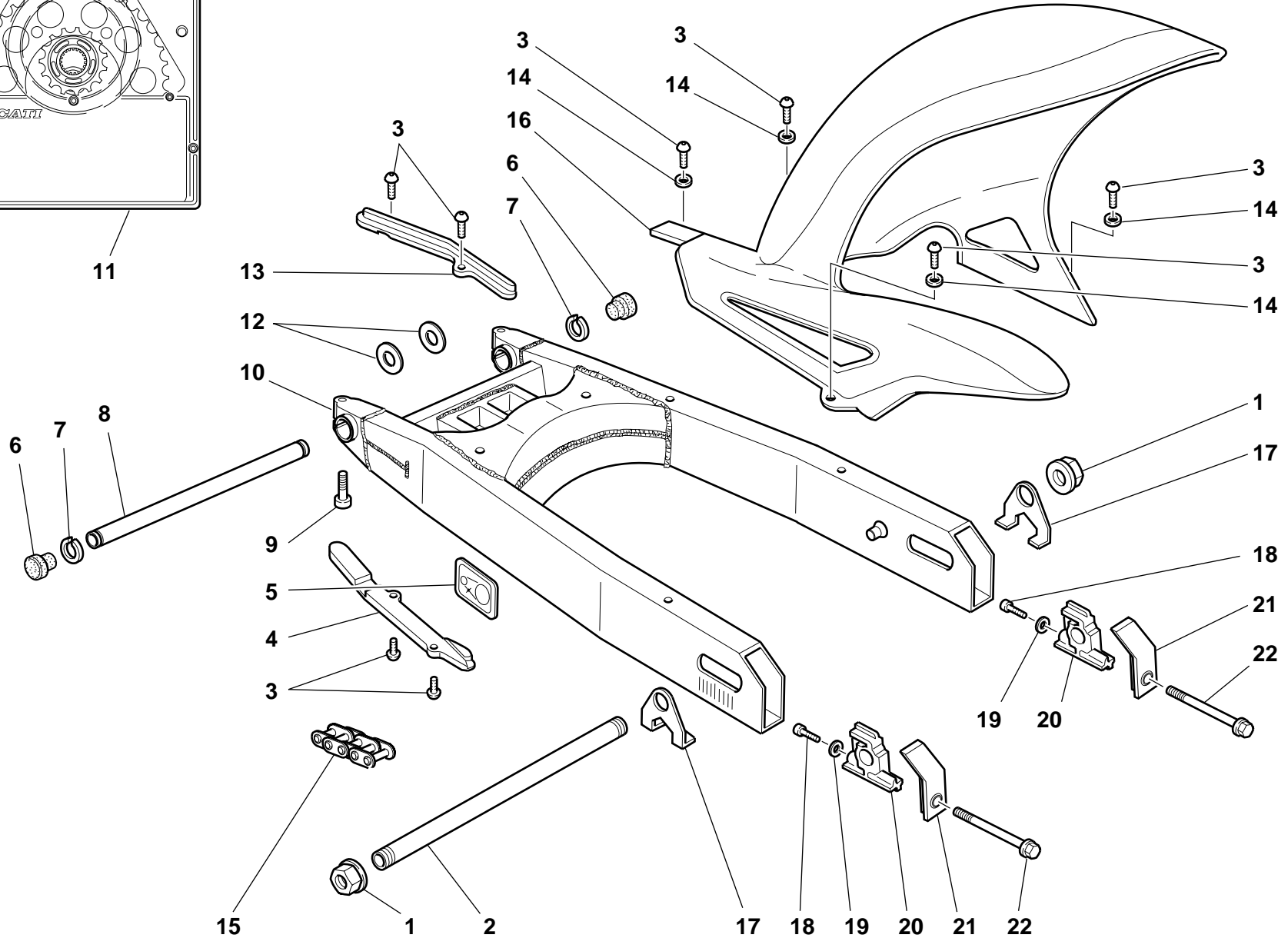
TAVOLA  
DRAWING  
TABLE  
BILD  
TABLA

34

SWINGARM AND CHAIN



11



DRAWING **34** SWINGARM AND CHAIN

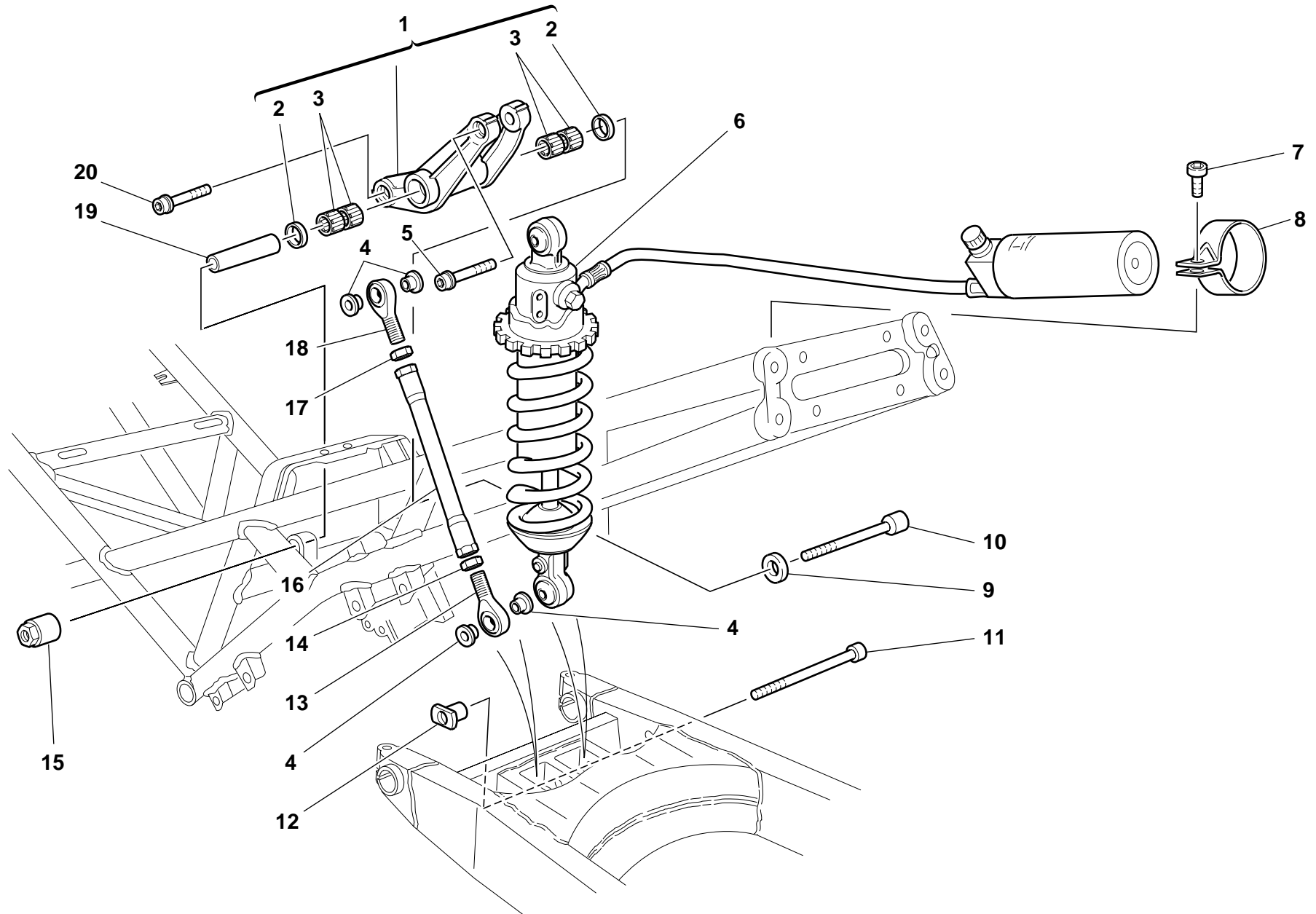
NOTES	NO.	CODE NO.	DESCRIPTION	VALIDITY	Q.TY 
	1	748.1.023.1A	Nut		2
	2	819.1.030.1A	Rear wheel spindle		1
	3	779.1.119.2A	Screw		8
	4	447.1.031.1A	Lower chain sliding shoe		1
	5	433.1.220.1A	Plate		1
	6	872.1.019.1A	Cap		2
	7	884.4.007.1A	Snap ring		2
	8	369.1.004.1A	Swingarm pivot		1
	9	60N102584	Screw		2
	10	370.1.021.1A	Swingarm		1
	11	676.2.029.1A	Final drive kit		1
	12	852.1.001.1A	Shim th. 1.8		2
	12	852.1.002.1A	Shim th. 0.2		1
	12	852.1.003.1A	Shim th. 0.1		1
	13	447.1.030.1A	Upper chain sliding shoe		1
	14	0364.99.710	Nylon gasket		4
	15	676.4.018.1A	Chain (102 Links)		1
	16	565.1.021.1A	Rear mudguard		1
	17	373.1.029.1A	Plate		2
	18	771.5.004.2B	Screw		2
	19	852.1.079.1A	Washer		2
	20	373.1.028.1A	Sliding shoe		2
	21	373.1.023.1B	Cover		2
	22	779.1.037.1A	Screw		2

NOTES	NO.	CODE NO.	DESCRIPTION	VALIDITY	Q.TY 
-------	-----	----------	-------------	----------	--


TAVOLA  
DRAWING  
TABLE  
BILD  
TABLA

35

REAR SUSPENSION



DRAWING **35** REAR SUSPENSION

NOTES	NO.	CODE NO.	DESCRIPTION	VALIDITY	Q.TY	
	1	372.2.008.1A	Rocker assembly		1	
	2	93781.1824	Seal ring		2	
	3	701.4.006.1A	Needle bearing		4	
	4	710.1.025.1A	Bush		4	
	5	771.5.938.2B	Screw		1	
	6	365.2.027.1B	Shock absorber		1	
	7	779.5.010.1A	Screw		2	
	8	808.1.007.1A	Clamp		1	
	9	710.1.057.1A	Bush		1	
	10	771.1.009.1A	Screw		1	
	11	771.1.008.1A	Screw		1	
	12	710.1.046.1A	Bush		1	
	13	76401.0009	Ball joint		1	
	14	747.1.006.1A	Nut		1	
	15	750.1.041.1A	Nut		1	
	16	875.1.038.1A	Tie rod		1	
	17	417.9.090.1A	Nut		1	
	18	76401.0010	Ball joint		1	
	19	715.1.004.1A	Spacer		1	
	20	771.5.937.2B	Screw		1	

NOTES	NO.	CODE NO.	DESCRIPTION	VALIDITY	Q.TY	
-------	-----	----------	-------------	----------	------	---



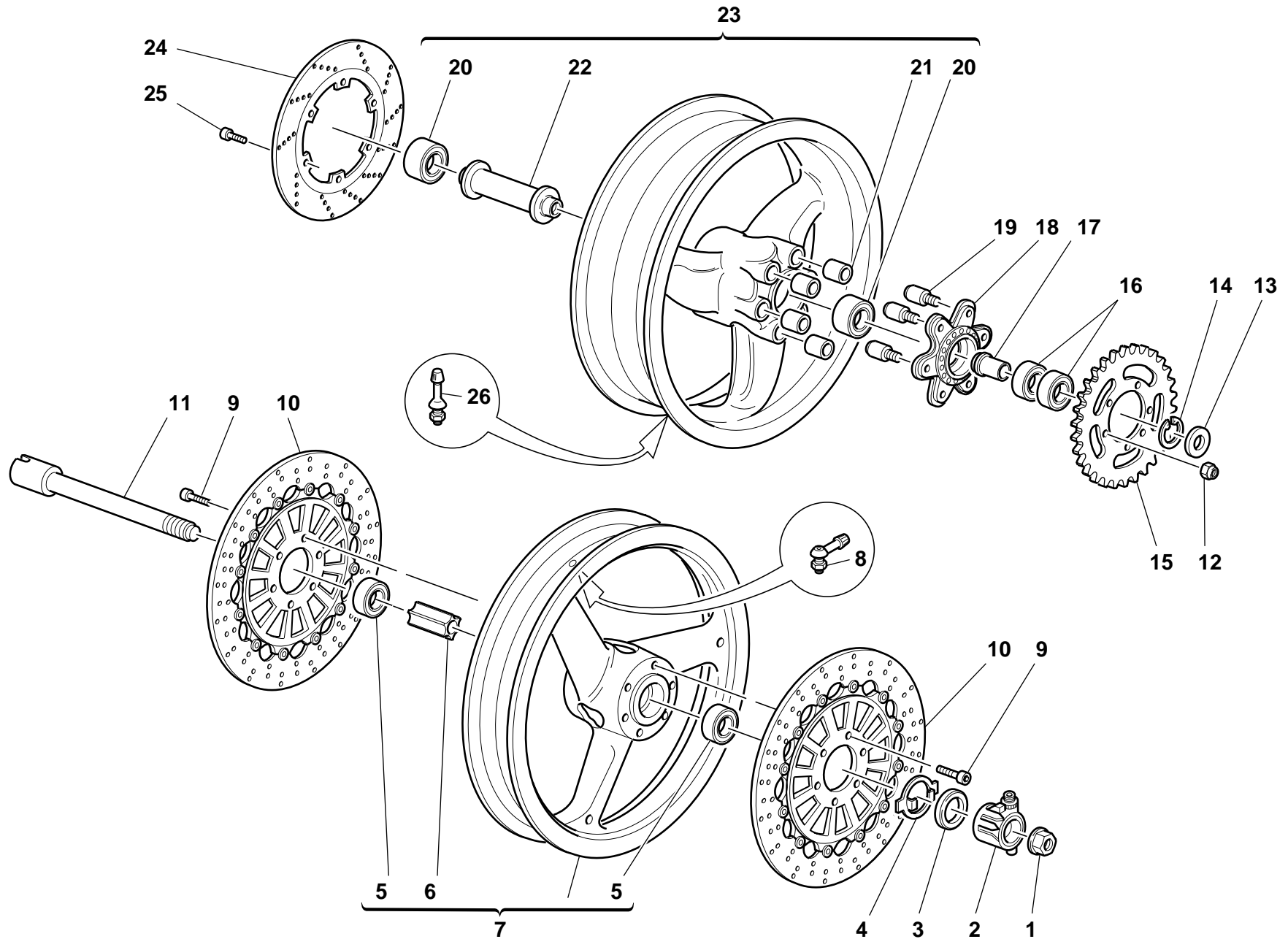
DRAWING **36** REAR HYDRAULIC BRAKE

NOTES	NO.	CODE NO.	DESCRIPTION	VALIDITY	Q.TY	NOTES	NO.	CODE NO.	DESCRIPTION	VALIDITY	Q.TY
	1	829.1.184.1A	Holder		1	28	631.4.008.1A	Spare union			1
	2	852.1.054.1A	Washer		1	29	626.4.013.1A	Dust cover			1
	3	73500.0624	Circlip		2	30	619.4.015.1A	Caliper pump pipe			1
	4	8000.59056	Bush		1	31	0000.73456	Clip			1
	5	764.1.011.1A	Rubber pad		1	32	0000.69282	Spacer			1
	6	457.2.008.1A	Brake control lever		1	33	8A00.67997	Screw			1
	7	821.1.052.1A	Pedal pin		1	34	825.1.022.1A	Caliper holder plate			1
	8	8000.67981	Threaded dowel		1	35	771.5.724.2B	Screw			2
	9	60N115062	Nut		2	36	611.4.009.1A	Rear brake caliper			1
	10	821.1.096.1A	Pin		1	37	0370.39.780	Spare bleed union			1
	11	80A0.55757	Fork		1	38	613.4.021.1A	Pads pair			1
	12	772.5.024.1A	Screw		2	39	612.4.016.1A	Spare pins and spring			1
	13	117.1.025.2A	Adjuster rod		1	40	612.4.008.1A	Dust seal			1
	14	771.5.754.2B	Screw		1	41	799.1.083.1B	Spring			1
	15	539.4.003.1B	Switch		1						
	16	877.1.050.1A	Tube		1						
	17	741.4.043.1A	Clamp		2						
	18	0000.62726	Screw		1						
	19	893.4.005.1A	Cap		1						
	20	585.4.001.1A	Complete oil tank		1						
	21	60N102505	Screw		1						
	22	420.2.000.8A	Copper gasket		1						
	23	0000.44240	Nut		1						
	24	829.1.073.2A	Holder		1						
	25	779.1.058.1A	Special screw		2						
	26	420.2.001.0A	Copper gasket		4						
	27	625.4.006.1A	Rear brake pump		1						

TAVOLA  
DRAWING  
TABLE  
BILD  
TABLA

37

WHEELS





DRAWING **37** WHEELS

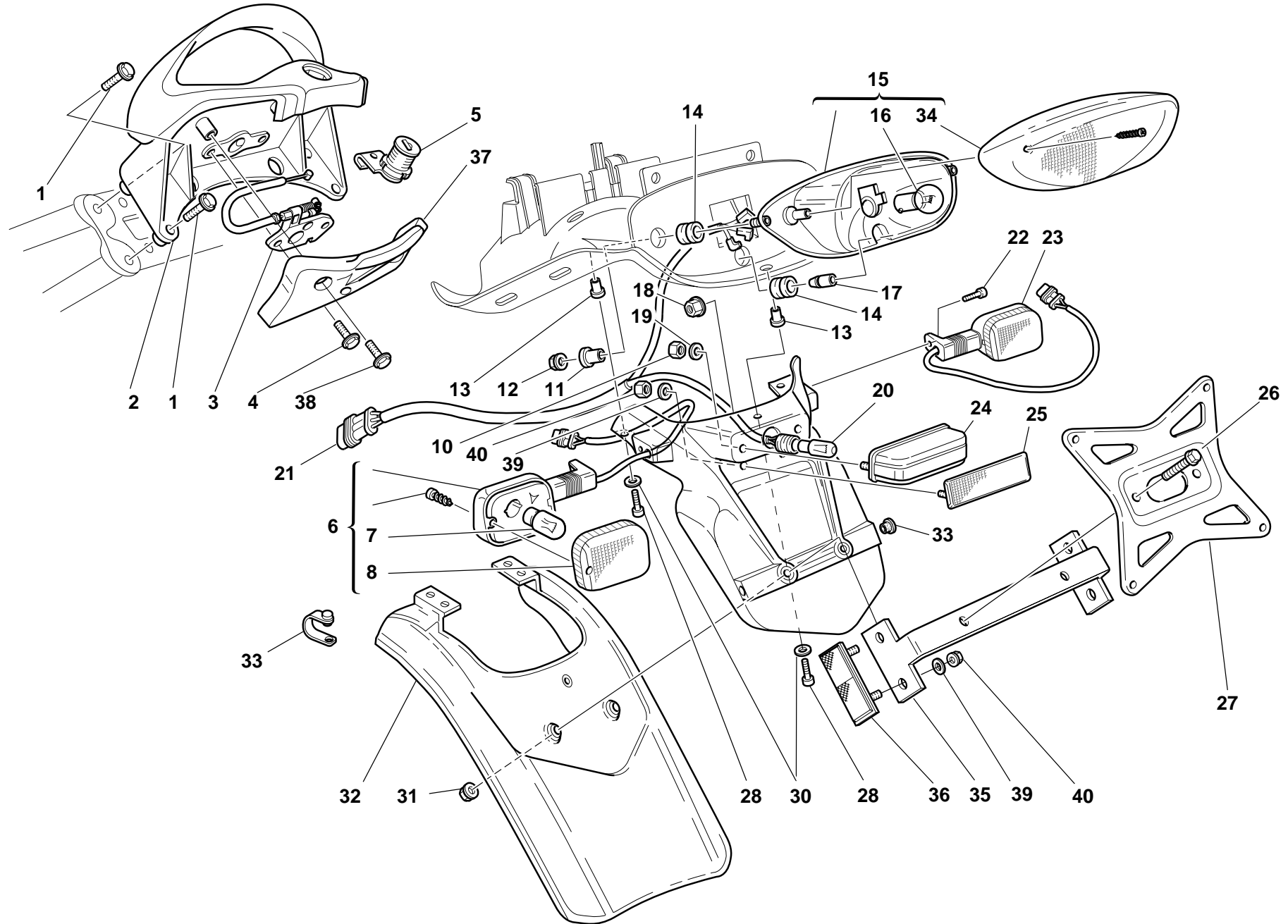
NOTES	NO.	CODE NO.	DESCRIPTION	VALIDITY	Q.TY	
	1	748.1.014.1B	Fork nut		1	
	2	498.1.009.1A	Speedometer transmission		1	
	3	0000.64471	Seal ring		1	
	4	0000.62648	Relay drive ring		1	
	5	75162.2566	Bearing		4	
	6	714.1.028.1A	Inner spacer		1	
	7	501.2.019.1A	Front wheel rim		1	
	8	497.2.001.2A	Valve		1	
	9	771.5.721.2B	Screw		12	
	10	492.4.024.1A	Brake disc		2	
	11	819.1.017.1A	Front wheel spindle		1	
	12	748.4.024.1A	Nut		6	
	13	713.1.097.1B	Spacer		1	
	14	884.5.008.1A	Circlip		1	
	15	494.1.068.3D	Ring gear z=42		1	
	16	75162.3075	Bearing		2	
	17	710.1.041.1B	Bush		1	
	18	160.1.049.1A	Rear sprocket flange		1	
	19	821.1.009.1B	Pin		6	
	20	0803.77.010	Valve		1	
	21	700.1.005.1A	Vibration damper		6	
	22	713.1.098.1A	Inner spacer		1	
	23	502.2.017.1A	Rear rim		1	
	24	492.4.003.1A	Brake disc		1	
	25	771.5.723.2B	Screw		6	

NOTES	NO.	CODE NO.	DESCRIPTION	VALIDITY	Q.TY	
-------	-----	----------	-------------	----------	------	---

TAVOLA  
DRAWING  
TABLE  
BILD  
TABLA

38

NUMBER PLATE HOLDER



DRAWING **38** NUMBER PLATE HOLDER



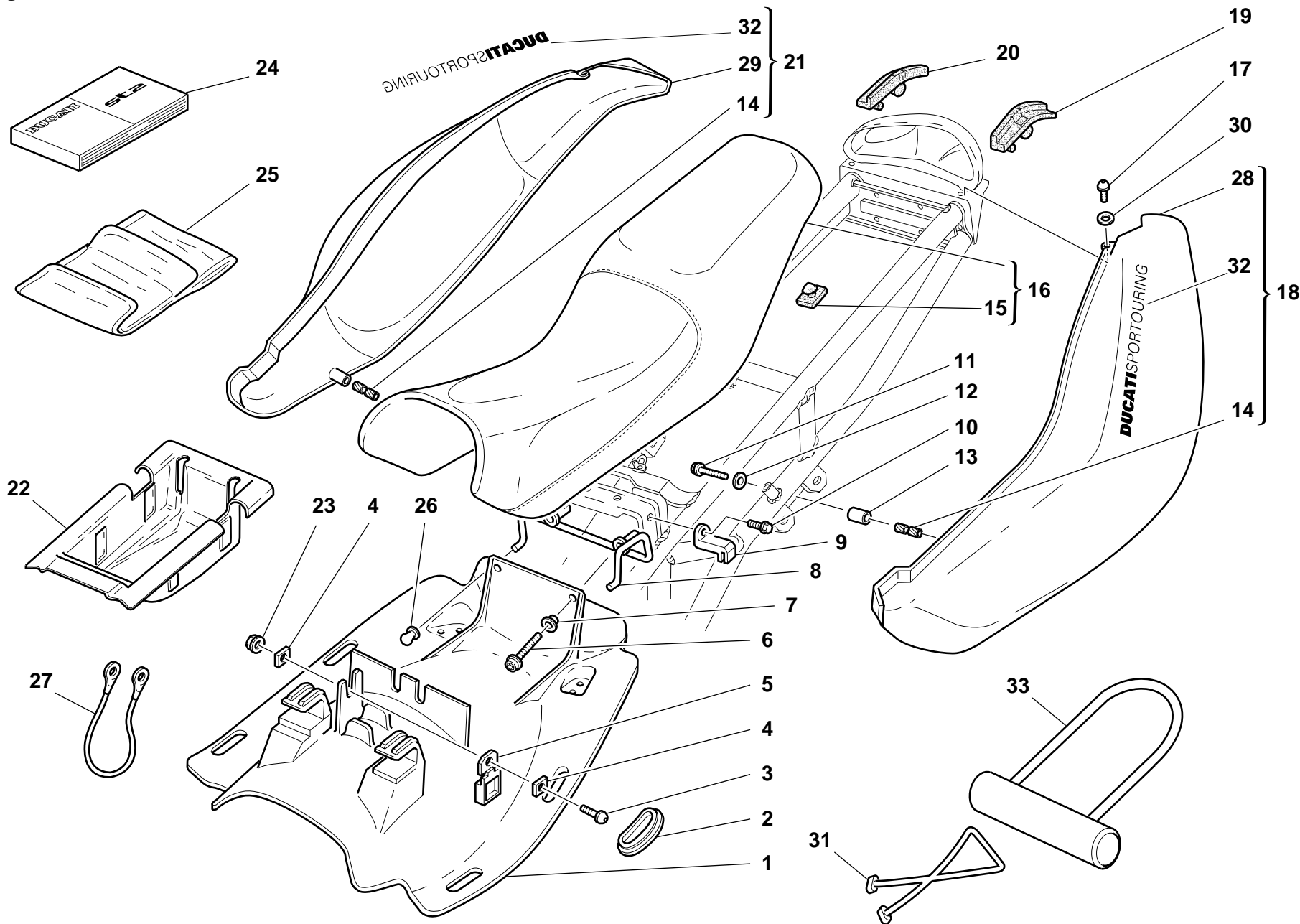
NOTES	NO.	CODE NO.	DESCRIPTION	VALIDITY	Q.TY		NOTES	NO.	CODE NO.	DESCRIPTION	VALIDITY	Q.TY	
	1	772.5.023.1A	Screw		4		25	529.1.006.1A	Cat's eye			1	
	2	806.1.011.1AA	Red handle		1		26	772.5.024.1A	Screw			2	
	2	806.1.011.1AB	Grey handle		1		27	561.1.017.1B	Plate			1	
	2	806.1.011.1AD	Handle blue		1		28	771.5.043.2B	Screw			1	
	2	806.1.011.0A	Handle (unpainted)		1		29	561.1.013.2A	Number plate holder			1	
	3	732.2.006.1A	Lock latch		1		30	417.7.007.1A	Cap			2	
	4	8A00.67997	Screw		2		31	0000.44240	Nut			2	
	5	598.2.019.1A	Seat lock		1		32	460.1.077.1A	Mudflap			1	
	6	530.4.003.1B	L.H. turn indicator		1		33	741.1.012.1A	Clamp			2	
	7	0000.36726	Bulb		2		34	532.4.002.1A	Lens			1	
	8	0000.74507	Cup		2		35	829.1.136.1A	Holder			1	
	9	852.5.001.1A	Washer		2		36	529.1.006.1A	Cat's eye			2	
	10	8000.56443	Nut		2		37	460.1.080.1A	Mudflap			1	
	11	716.1.022.1A	Spacer		2		38	0000.62726	Screw			2	
	12	750.5.001.1A	Nut		2		39	852.5.001.1A	Washer			4	
	13	0000.63150	Insert		5		40	749.5.001.1A	Nut			4	
	14	0000.18048	Vibration damper pad		3								
	15	525.4.010.1A	Tail light		1								
	16	390.4.003.1A	Two-light bulb 12V 5/21W		1								
	17	821.1.081.1A	Pin		1								
	18	0000.44240	Nut		2								
	19	60N115548	Washer		6								
	20	0000.36230	Bulb		1								
	21	510.1.108.1A	Wiring		1								
	22	60N107335	Screw		2								
	23	530.4.004.1B	R.H. turn indicator		1								
	24	525.1.004.2A	Tail lamp		1								

TAVOLA  
DRAWING  
TABLE  
BILD  
TABLA

39

SEAT



DRAWING

39

SEAT

NOTES	NO.	CODE NO.	DESCRIPTION	VALIDITY	Q.TY	NOTES	NO.	CODE NO.	DESCRIPTION	VALIDITY	Q.TY
	1	559.1.005.1A	Panel		1	24	913.7.062.1A	Owner's manual			1
	2	872.1.022.1A	Cap		4	25	697.2.009.2C	Tool bag			1
	3	779.1.088.1A	Screw		1	26	764.1.023.1A	Rubber pad			2
	4	827.1.061.1A	Plate		2	27	732.1.005.1A	Helmet anti-theft wire			1
	5	829.4.001.1A	Holder		1	28	482.3.021.1A	L.H. body panel (unpainted)			1
	6	771.5.667.2B	Screw		2	29	482.3.022.1A	R.H. body panel (unpainted)			1
	7	716.1.038.1A	Spacer		2	30	856.1.040.1A	Nylon washer			2
	8	760.1.015.1A	Hook		1	31	759.1.015.1A	Rubber			1
	9	808.1.019.1A	Clamp		2	32	436.1.021.1A	Sticker "SPORTTOURING"			2
	10	8H00.67545	Screw		2	33	598.4.015.1A	Padlock			1
	11	770.5.619.2B	Screw		2						
	12	734305N01	Washer		2						
	13	713.1.129.1A	Spacer		2						
	14	850.4.016.1A	Threaded insert		2						
	15	866.1.030.1A	Rubber pad		6						
	16	595.1.034.1A	Seat		1						
	17	775.1.008.2A	Screw		2						
	18	482.1.027.1BA	L.H. body panel (RED)		1						
	18	482.1.027.1BD	L.H. body panel (BLUE)		1						
	18	482.1.027.1BB	L.H. body panel (GREY)		1						
	19	700.1.025.1A	L.H. gasket		1						
	20	700.1.024.1A	R.H. gasket		1						
	21	482.1.028.1BA	R.H. body panel (RED)		1						
	21	482.1.028.1BB	R.H. body panel (GREY)		1						
	21	482.1.028.1BD	R.H. body panel (BLUE)		1						
	22	565.1.022.2A	Tool box		1						
	23	8000.56443	Nut		1						

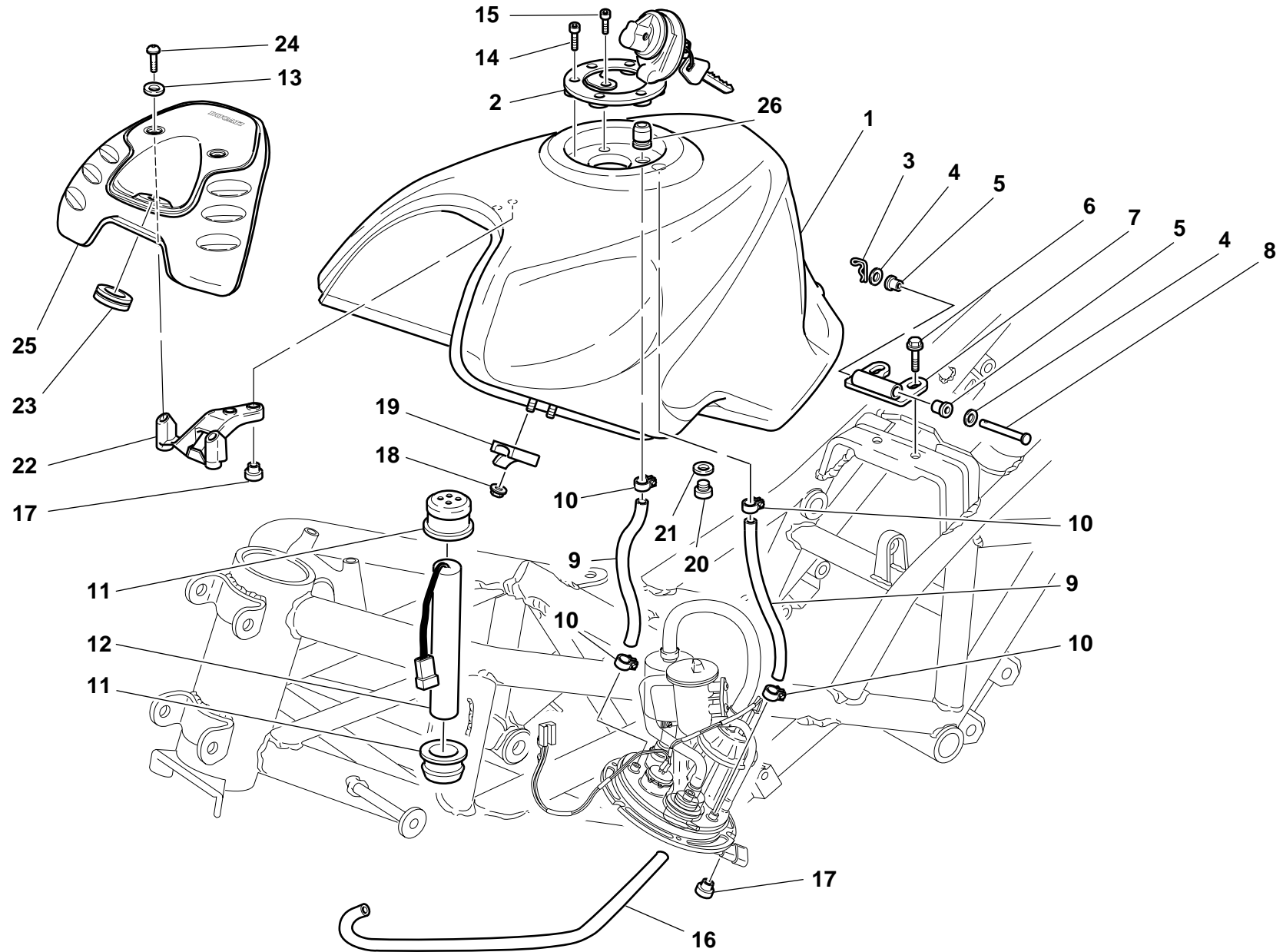
CATALOGUE No.: 915.1.046.1C  
ISSUED: 11 - 99

CATALOGUE No.: 915.1.046.1C  
ISSUED: 11 - 99


TAVOLA  
DRAWING  
TABLE  
BILD  
TABLA

40


FUEL TANK



DRAWING **40** FUEL TANK

NOTES	NO.	CODE NO.	DESCRIPTION	VALIDITY	Q.TY	
	1	586.1.029.1BA	Fuel tank (RED)		1	
	1	586.1.029.1BB	Fuel tank (GREY)		1	
	1	586.1.029.1BD	Fuel tank (BLUE)		1	
	1	586.3.029.1A	Fuel tank (unpainted)		1	
	2	895.4.001.2A	Tank cap		1	
	3	0000.62705	Split pin		1	
	4	80C0.05893	Shim		2	
	5	712.1.013.1A	Bush		2	
	6	772.5.025.1A	Screw		2	
	7	827.2.134.1A	Plate		1	
	8	821.1.028.2B	Pin		1	
	9	590.1.085.1A	Tube		2	
	10	741.4.004.1A	Clamp		4	
	11	829.1.186.1A	Rubber holder		2	
	12	552.1.003.2A	Sensor		1	
	13	8000.56391	Nylon washer		2	
	14	771.5.045.7E	Screw		3	
	15	771.5.040.2B	Screw		1	
	16	590.1.095.1A	Breather pipe		1	
	17	750.1.042.1A	Nut		5	
	18	763106N01	El-stop nut		4	
	19	866.1.029.1A	Rubber pad		2	
	20	8000.77921	Screw		1	
	21	420.2.001.0A	Copper gasket		1	
	22	830.1.131.1A	Bracket		1	
	23	764.1.019.1A	Vibration damper pad		1	
	24	80B0.55703	Screw		2	

CATALOGUE No.: 915.1.046.1C  
ISSUED: 11 - 99

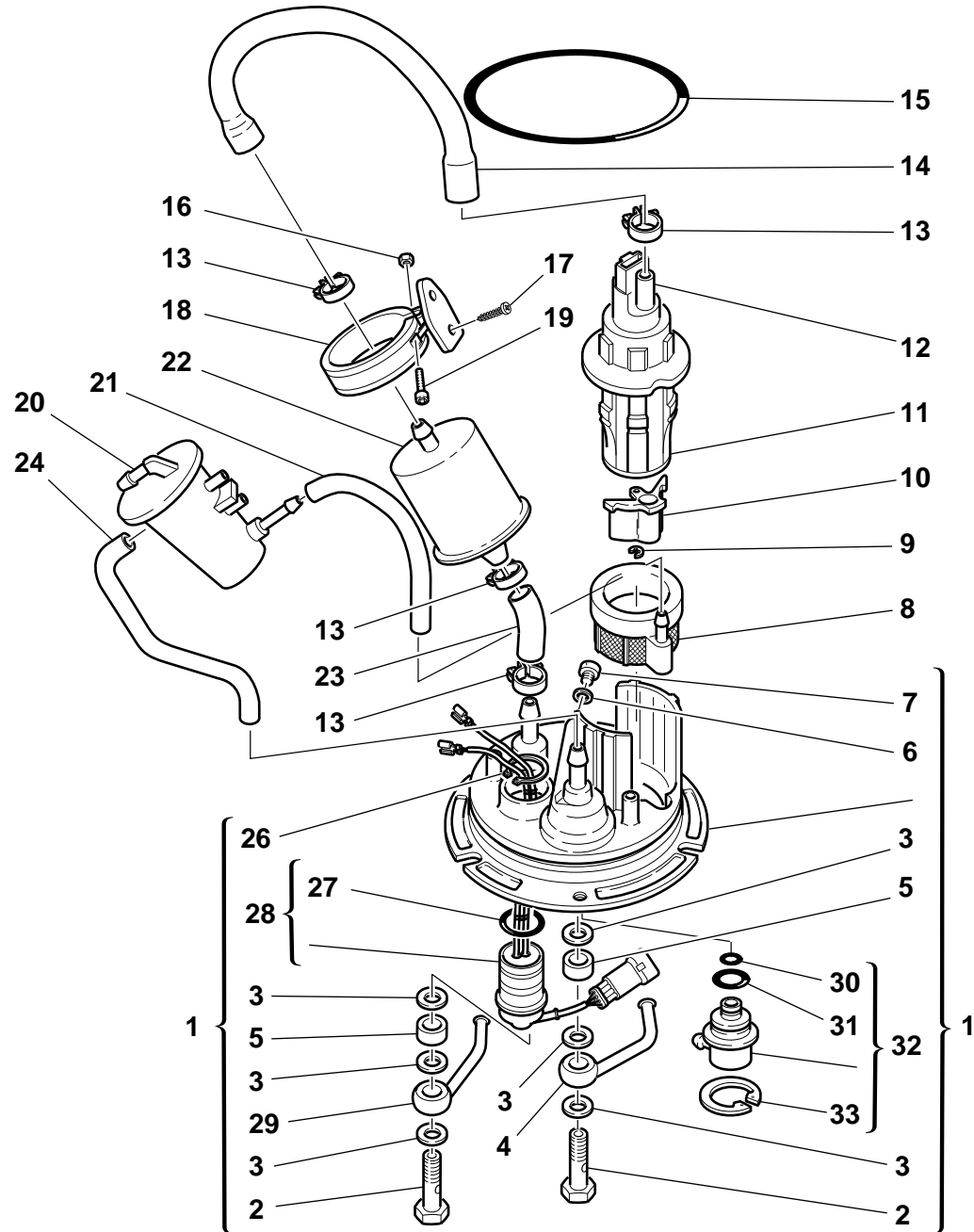
NOTES	NO.	CODE NO.	DESCRIPTION	VALIDITY	Q.TY	
	25	247.2.105.2A	Cover		1	
	26	791.1.012.1A	Gasket		1	

CATALOGUE No.: 915.1.046.1C  
ISSUED: 11 - 99

TAVOLA  
DRAWING  
TABLE  
BILD  
TABLA

41

FUEL SYSTEM





DRAWING **41** FUEL SYSTEM



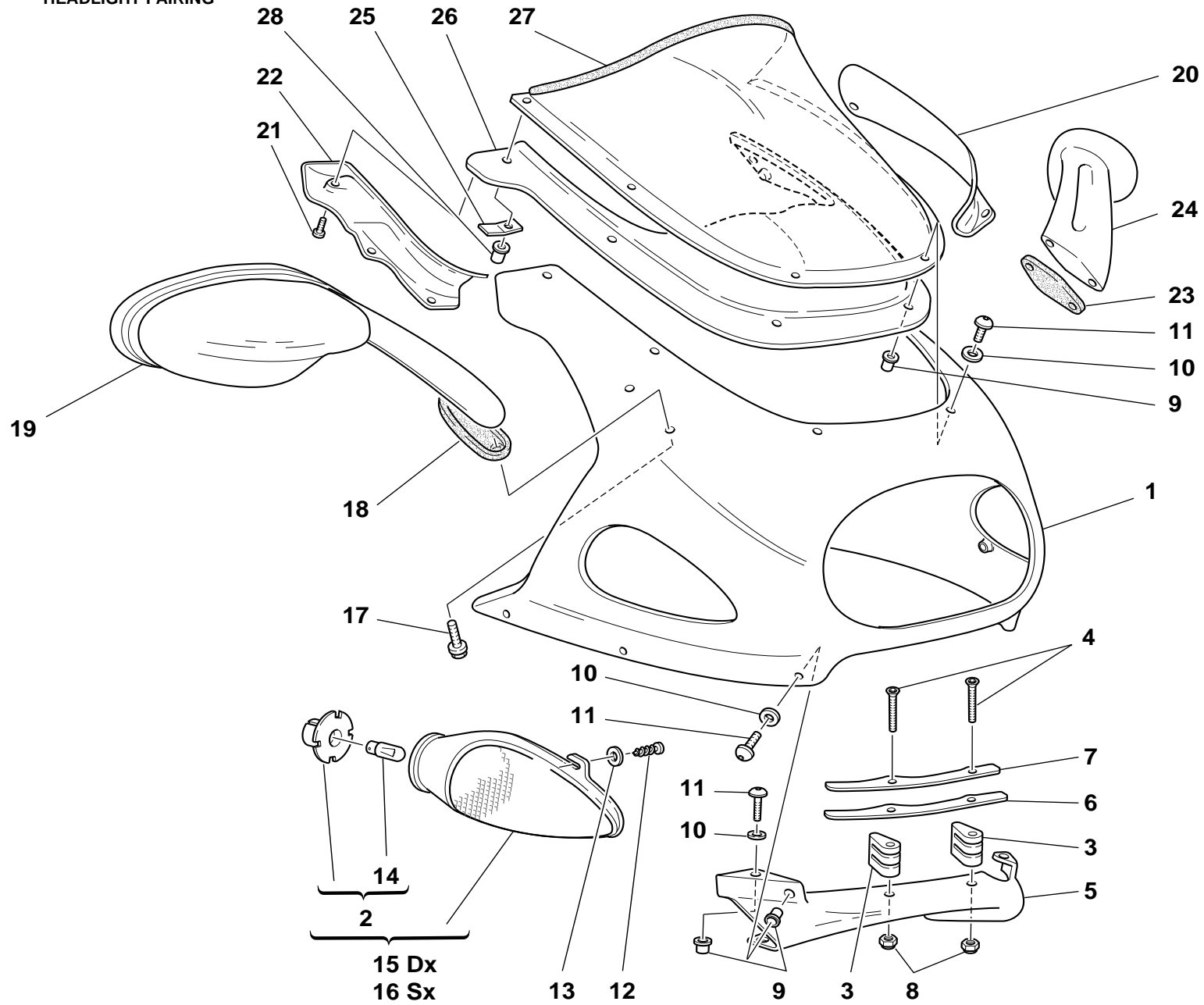
NOTES	NO.	CODE NO.	DESCRIPTION	VALIDITY	Q.TY 	NOTES	NO.	CODE NO.	DESCRIPTION	VALIDITY	Q.TY 
	1	160.9.053.1B	Complete flange		1	29	814.1.057.1A	Union			1
	2	779.1.158.1A	Special screw		2	30	886.4.021.1A	O-ring			1
	3	852.1.098.1A	Washer		6	31	886.4.022.1A	O-ring			1
	4	814.1.058.1A	Union		1	32	283.4.003.1A	Pressure regulator			1
	5	713.1.112.1A	Spacer		2	33	73503.3449	Circlip			1
	6	420.2.001.0A	Copper gasket		1						
	7	780.1.008.1A	Cap		1						
	8	427.1.003.1A	Fuel pump filter		1						
	9	850.4.031.1A	Snap ring		1						
	10	484.1.029.1B	Manifold		1						
	11	829.1.077.2B	Pump holder		1						
	12	430.4.004.1A	Fuel pump		1						
	13	741.4.004.1A	Clamp		4						
	14	590.1.055.1A	Tube		1						
	15	886.5.001.1A	O-Ring		1						
	16	0419.50.115	Hexagon nut		1						
	17	72237.0974	Self-tapping screw		2						
	18	829.1.104.1A	Holder		1						
	19	0419.50.045	Screw		1						
	20	427.4.002.1A	Air separator		1						
	21	590.1.059.1A	Tube		1						
	22	425.4.004.1B	Fuel filter		1						
	23	590.1.056.1A	Filter/pump pipe		1						
	24	590.1.058.1A	Tube		1						
	26	73500.2668	Circlip		1						
	27	886.5.011.1A	O-Ring		1						
	28	510.2.003.1A	Pump wiring		1						

TAVOLA  
DRAWING  
TABLE  
BILD  
TABLA

42

HEADLIGHT FAIRING



DRAWING **42** HEADLIGHT FAIRING



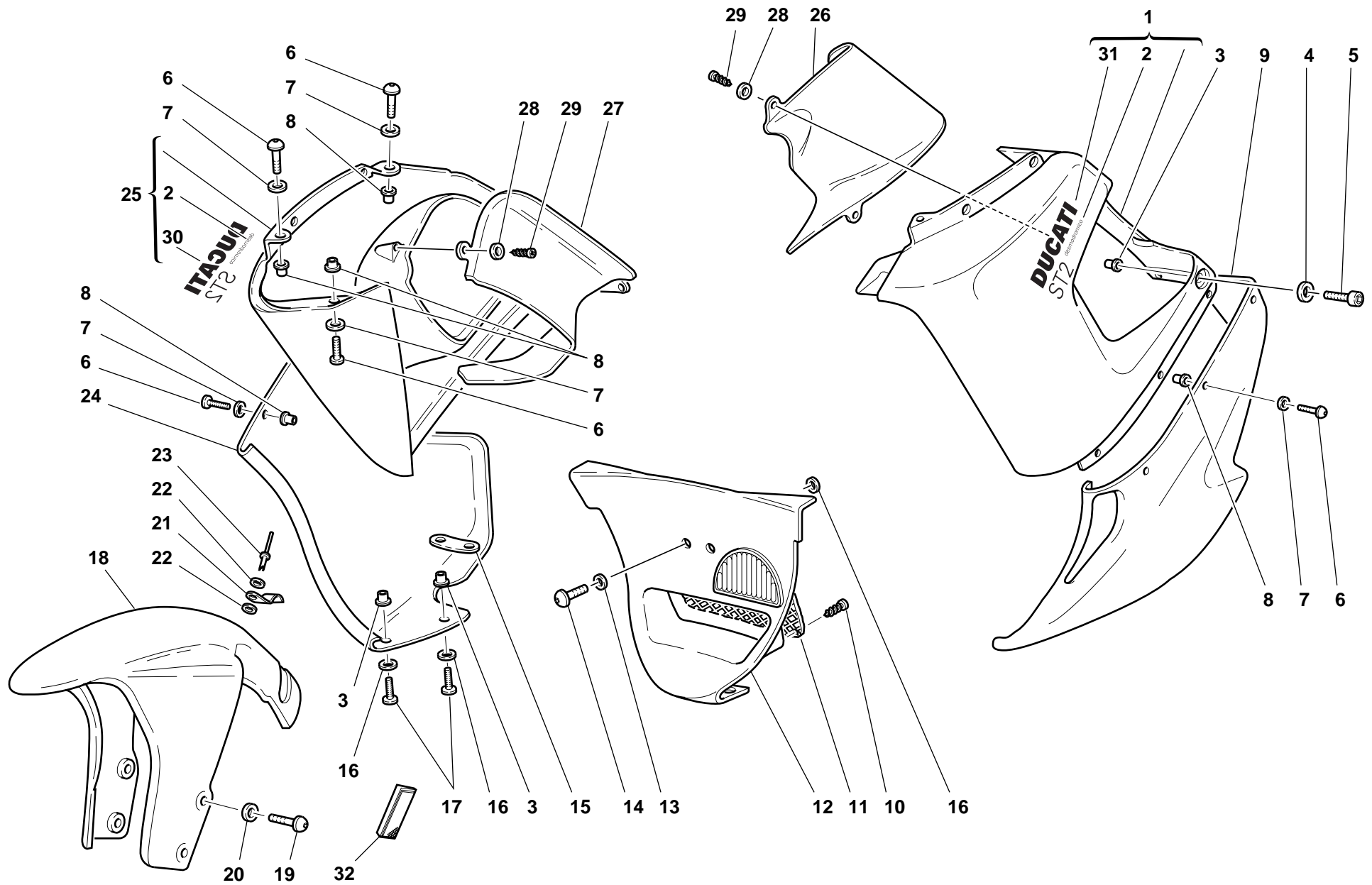
NOTES	NO.	CODE NO.	DESCRIPTION	VALIDITY	Q.TY		NOTES	NO.	CODE NO.	DESCRIPTION	VALIDITY	Q.TY	
	1	481.1.016.1BA	Headlight fairing (RED)		1		20	460.1.072.1A	L.H. side panel			1	
	1	481.1.016.1BB	Headlight fairing (GREY)		1		21	779.1.116.1A	Screw			2	
	1	481.1.016.1BD	Headlight fairing (BLUE)		1		22	460.1.071.1A	R.H. side panel			1	
	1	481.3.016.1A	Headlight fairing (unpainted)		1		23	713.1.127.1A	L.H. gasket			1	
	2	390.4.005.1A	Lamp holder		2		24	523.4.006.1AA	L.H. rear-view mirror (RED)			1	
	3	808.1.018.1A	Clamp		1		24	523.4.006.1AB	L.H. rear-view mirror (GREY)			1	
	4	777.5.007.2B	Screw		2		24	523.4.006.1AD	L.H. rear-view mirror (BLUE)			1	
	5	484.1.024.1AA	Air manifold (RED)		1		25	827.1.162.1A	Plate			2	
	5	484.1.024.1AB	Air manifold (GREY)		1		26	460.1.070.1A	Panel			1	
	5	484.1.024.1AD	Air manifold (BLUE)		1		27	487.1.014.1A	Windshield			1	
	5	484.3.024.1A	Manifold (unpainted)		1		28	850.4.013.1A	Threaded insert			1	
	6	827.1.131.1A	Lower plate		1								
	7	827.1.130.1A	Upper plate		1								
	8	749.5.001.1A	Nut		2								
	9	0000.63150	Insert		14								
	10	0000.63161	Washer		14								
	11	775.1.011.1A	Screw		14								
	12	72237.0657	Self-tapping screw		4								
	13	852.5.002.1A	Washer		4								
	14	0000.36726	Bulb		2								
	15	530.4.006.1A	R.H. turn indicator		1								
	16	530.4.005.1A	L.H. turn indicator		1								
	17	772.5.023.1A	Screw		4								
	18	713.1.126.1A	R.H. gasket		1								
	19	523.4.007.1AA	R.H. rear-view mirror (RED)		1								
	19	523.4.007.1AB	R.H. rear-view mirror (GREY)		1								
	19	523.4.007.1AD	R.H. rear-view mirror (BLUE)		1								

TAVOLA  
DRAWING  
TABLE  
BILD  
TABLA

43

FAIRING



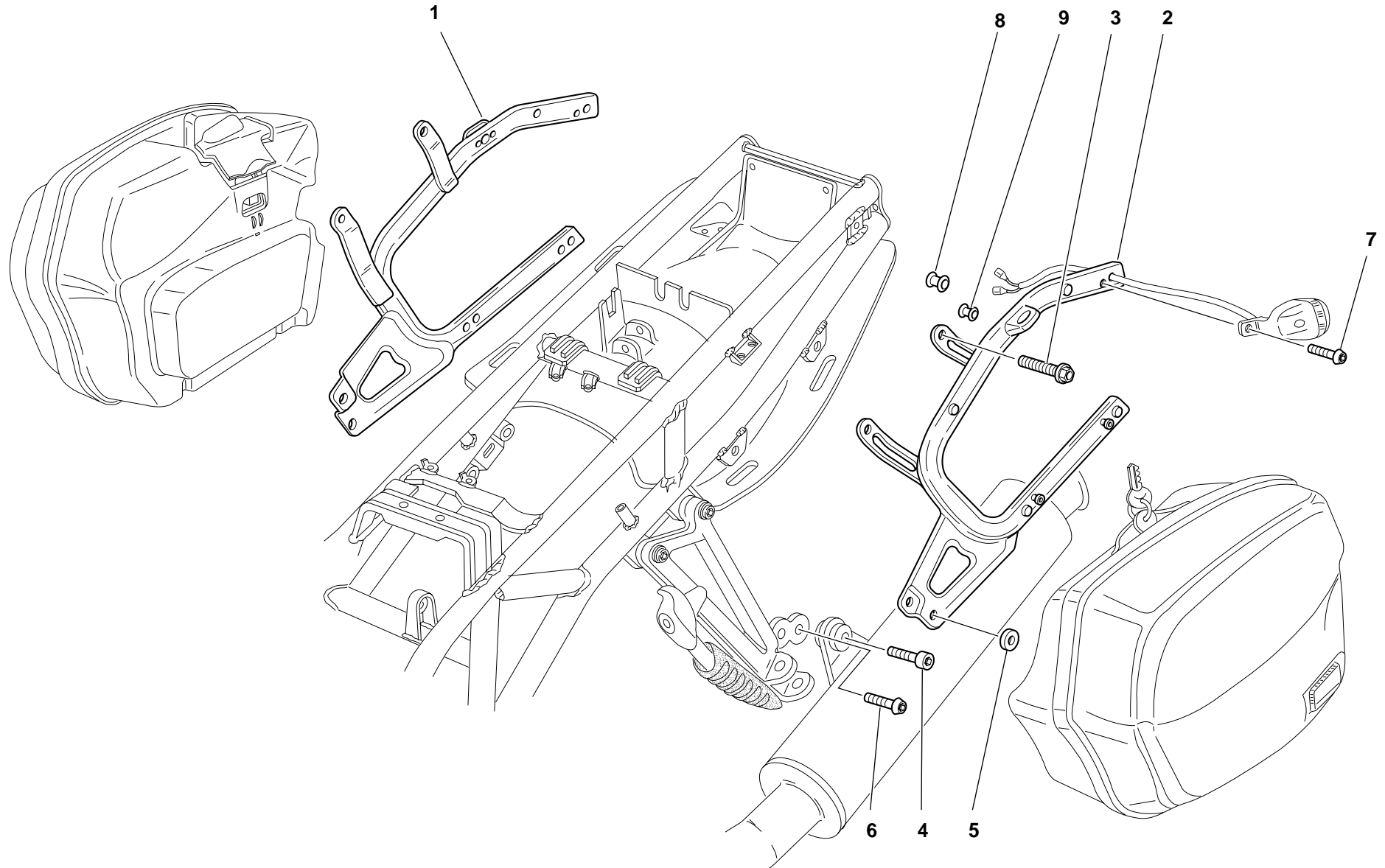
DRAWING **43** FAIRING

NOTES	NO.	CODE NO.	DESCRIPTION	VALIDITY	Q.TY	NOTES	NO.	CODE NO.	DESCRIPTION	VALIDITY	Q.TY
	1	480.1.058.0A	L.H. upper half-fairing (unpainted)		1	17	779.1.089.1A	Screw			4
	1	480.1.058.1DA	L.H. upper half-fairing (RED)		1	18	564.1.023.1AA	Front mudguard (RED)			1
	1	480.1.058.1DB	L.H. upper half-fairing (GREY)		1	18	564.1.023.1AB	Front mudguard (GREY)			1
	1	480.1.058.1DD	L.H. upper half-fairing (BLUE)		1	18	564.1.023.1AD	Front mudguard (BLUE)			1
	2	437.1.107.1AA	Sticker "DESMODROMICO"		2	18	564.3.023.1A	Front mudguard (unpainted)			1
	3	0364.99.020	Bush		6	19	0000.55698	Screw			4
	4	841.1.001.1C	Retainer		2	20	856.1.040.1A	Nylon washer			4
	5	779.5.001.1A	Screw		2	21	850.1.003.1A	Clip			1
	6	775.1.011.1A	Screw		4	22	852.1.075.1A	Washer			2
	7	0000.63161	Washer		4	23	736.4.013.1B	Shear rivet			1
	8	0000.63150	Insert		4	24	480.1.061.2AA	R.H. lower half-fairing (RED)			1
	9	480.1.059.2AA	L.H. lower half-fairing (RED)		1	24	480.1.061.2AB	R.H. lower half-fairing (GREY)			1
	9	480.1.059.2AB	L.H. lower half-fairing (GREY)		1	24	480.1.061.2AD	R.H. lower half-fairing (BLUE)			1
	9	480.1.059.2AD	L.H. lower half-fairing (BLUE)		1	24	480.1.061.0A	R.H. lower half-fairing (unpainted)			1
	9	480.1.059.0A	L.H. lower half-fairing (unpainted)		1	25	480.1.060.1DA	R.H. upper half-fairing (RED)			1
	10	72237.0974	Self-tapping screw		4	25	480.1.060.1DB	R.H. upper half-fairing (GREY)			1
	11	460.1.079.1A	Net		1	25	480.1.060.1DD	R.H. upper half-fairing (BLUE)			1
	12	484.1.031.1AA	Air manifold (RED)		1	25	480.1.060.0A	R.H. upper half-fairing (unpainted)			1
	12	484.1.031.1AB	Air manifold (GREY)		1	26	484.1.025.1AA	L.H. air manifold			1
	12	484.1.031.1AD	Air manifold (BLUE)		1	27	484.1.026.1AA	R.H. air manifold			1
	12	484.3.031.1A	Air manifold (unpainted)		1	28	852.5.002.1A	Washer			4
	13	8000.56391	Nylon washer		2	29	72231.0871	Screw			4
	14	80B0.55703	Screw		2	30	437.1.113.1AA	R.H. sticker "DUCATI"			1
	15	827.1.012.1A	Bent plate		1	31	437.1.111.1AA	L.H. sticker "DUCATI ST2"			1
	16	856.1.040.1A	Nylon washer		4	32	529.1.008.1AB	Cat's eye (AMBER)			2


TAVOLA  
DRAWING  
TABLE  
BILD  
TABLA

44

PANNIERS FASTENS



DRAWING **44** PANNIERS FASTENS

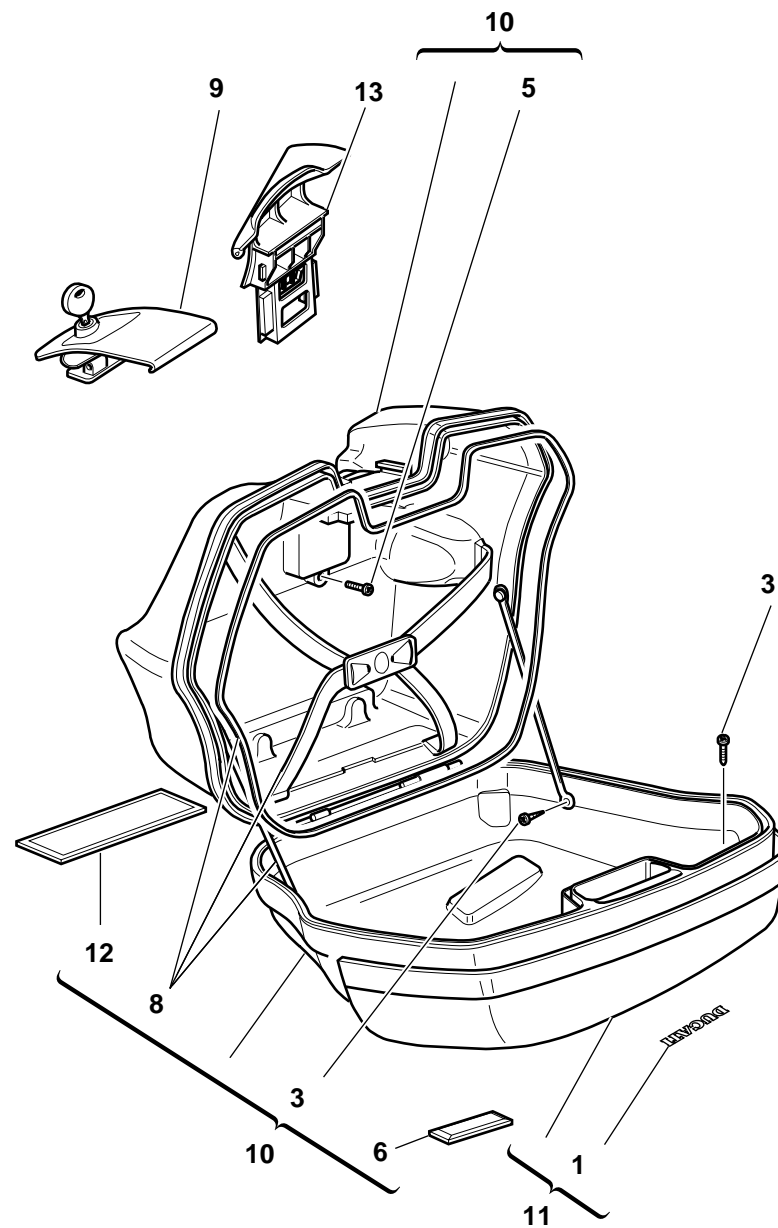
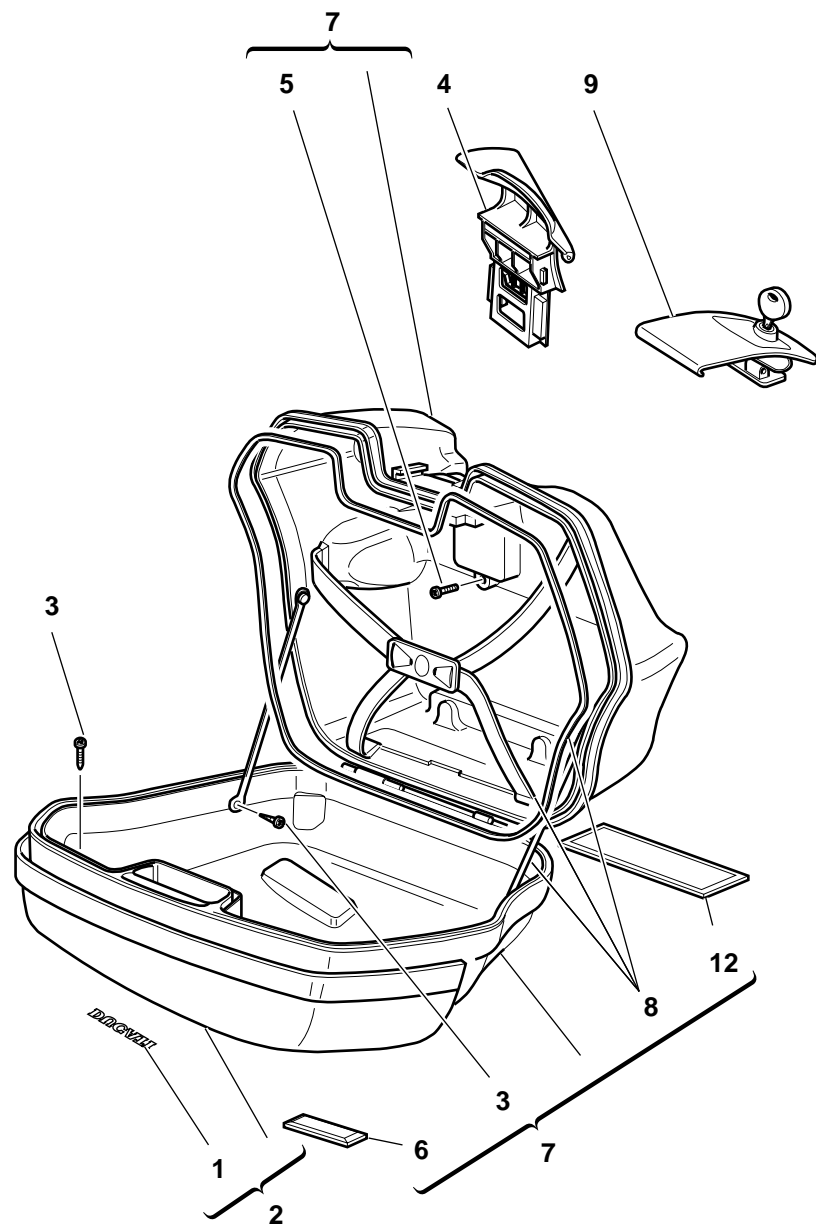
NOTES	NO.	CODE NO.	DESCRIPTION	VALIDITY	Q.TY	
	1	829.1.206.1A	R.H. holder		1	
	2	829.1.205.1A	L.H. holder		1	
	3	772.5.008.1A	Screw		4	
	4	771.5.002.1A	Screw		1	
	5	713.1.130.1A	Spacer		1	
	6	775.5.002.1A	Screw		2	
	7	8BB0.61070	Screw		2	
	8	872.4.022.1A	Cap		2	
	9	872.4.023.1A	Cap		2	

NOTES	NO.	CODE NO.	DESCRIPTION	VALIDITY	Q.TY	
-------	-----	----------	-------------	----------	------	---

TAVOLA  
DRAWING  
TABLE  
BILD  
TABLA


45

SIDE PANNIERS





DRAWING **45** SIDE PANNIERS

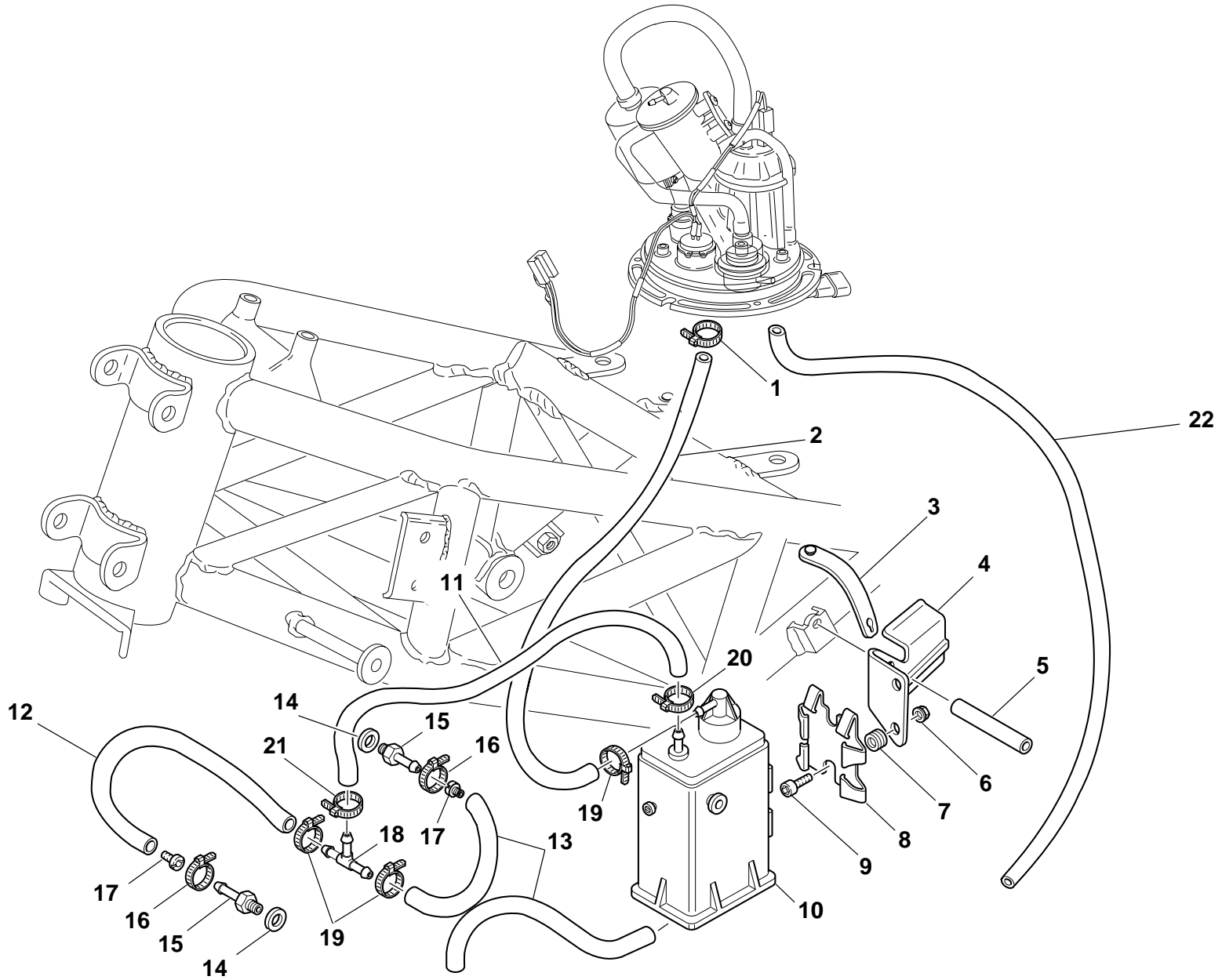
NOTES	NO.	CODE NO.	DESCRIPTION	VALIDITY	Q.TY	
	1	438.1.096.1AA	Sticker "DUCATI"		2	
	1	438.1.096.1AB	Sticker "DUCATI" (GREY)		2	
	2	698.1.021.1BA	R.H. cover (RED)		1	
	2	698.1.021.1BB	R.H. cover (GREY)		1	
	2	698.1.021.1BD	R.H. cover (BLUE)		1	
	3	72237.0657	Self-tapping screw		20	
	4	698.1.023.1A	R.H. handle		1	
	5	72237.0974	Self-tapping screw		2	
	6	529.4.003.1A	Cat's eye		2	
	6	529.4.005.1A	Cat's eye (AMBER)		2	
	7	698.1.015.1A	R.H. pannier		1	
	8	698.1.026.1A	Series of belts		1	
	9	698.1.025.1A	Pannier locks kit		1	
	10	698.1.016.1A	L.H. pannier		1	
	11	698.1.022.1BA	L.H. cover (RED)		1	
	11	698.1.022.1BB	L.H. cover (GREY)		1	
	11	698.1.022.1BD	L.H. cover (BLUE)		1	
	12	698.1.027.1A	Insulation		1	
	13	698.1.024.1A	L.H. handle		1	

NOTES	NO.	CODE NO.	DESCRIPTION	VALIDITY	Q.TY	
-------	-----	----------	-------------	----------	------	---


TAVOLA  
DRAWING  
TABLE  
BILD  
TABLA

46

FUELL INFEED



DRAWING **46** FUELL INFEED

NOTES	NO.	CODE NO.	DESCRIPTION	VALIDITY	Q.TY	
	1	741.4.057.1A	Clamp		1	
	2	590.1.106.1A	Tube		1	
	3	741.1.013.1A	Clamp		1	
	4	829.1.207.1A	Holder		1	
	5	716.1.043.1A	Spacer		2	
	6	0000.44240	Nut		2	
	7	0000.16132	Rubber pad		2	
	8	827.1.157.1A	Plate		1	
	9	779.5.001.1A	Screw		2	
	10	426.1.007.1A	CANISTER filter		1	
	11	590.1.097.1B	Tube		1	
	12	590.1.069.1A	Tube		1	
	13	590.1.104.1A	Tube		2	
	14	0250.70.223	Aluminium gasket		2	
	15	0370.98.880	Union		2	
	16	741.4.013.1B	Clamp		2	
	17	0615.27.143	Idling jet 50		2	
	18	0361.98.850	Shunt valve		1	
	19	741.4.063.1A	Clamp		3	
	20	741.4.058.1A	Clamp		1	
	21	741.4.059.1A	Clamp		1	
	22	590.1.098.1A	Tube		1	

NOTES	NO.	CODE NO.	DESCRIPTION	VALIDITY	Q.TY	
-------	-----	----------	-------------	----------	------	---

47

## MARKING PLATES

**OBJECT IN MIRROR ARE  
CLOSER THAN THEY APPEAR**

Cod. 433.1.166.1A

1

**WARNING**

DO NOT ATTEMPT TO LOOK THROUGH THIS FAIRING. THIS IS NOT A WINDSHIELD, BUT AN AERODYNAMIC FAIRING ONLY; FAILURE TO OBSERVE THIS WARNING COULD RESULT IN A COLLISION OR UPSET AND CONSEQUENT SERIOUS BODILY INJURY.

Cod. 433.1.165.1A

2

**ATTENZIONE!** Per evitare perdite di carburante dal tubo di sfiato, evitare di sollevare il serbatoio quando questo è pieno oltre la metà.

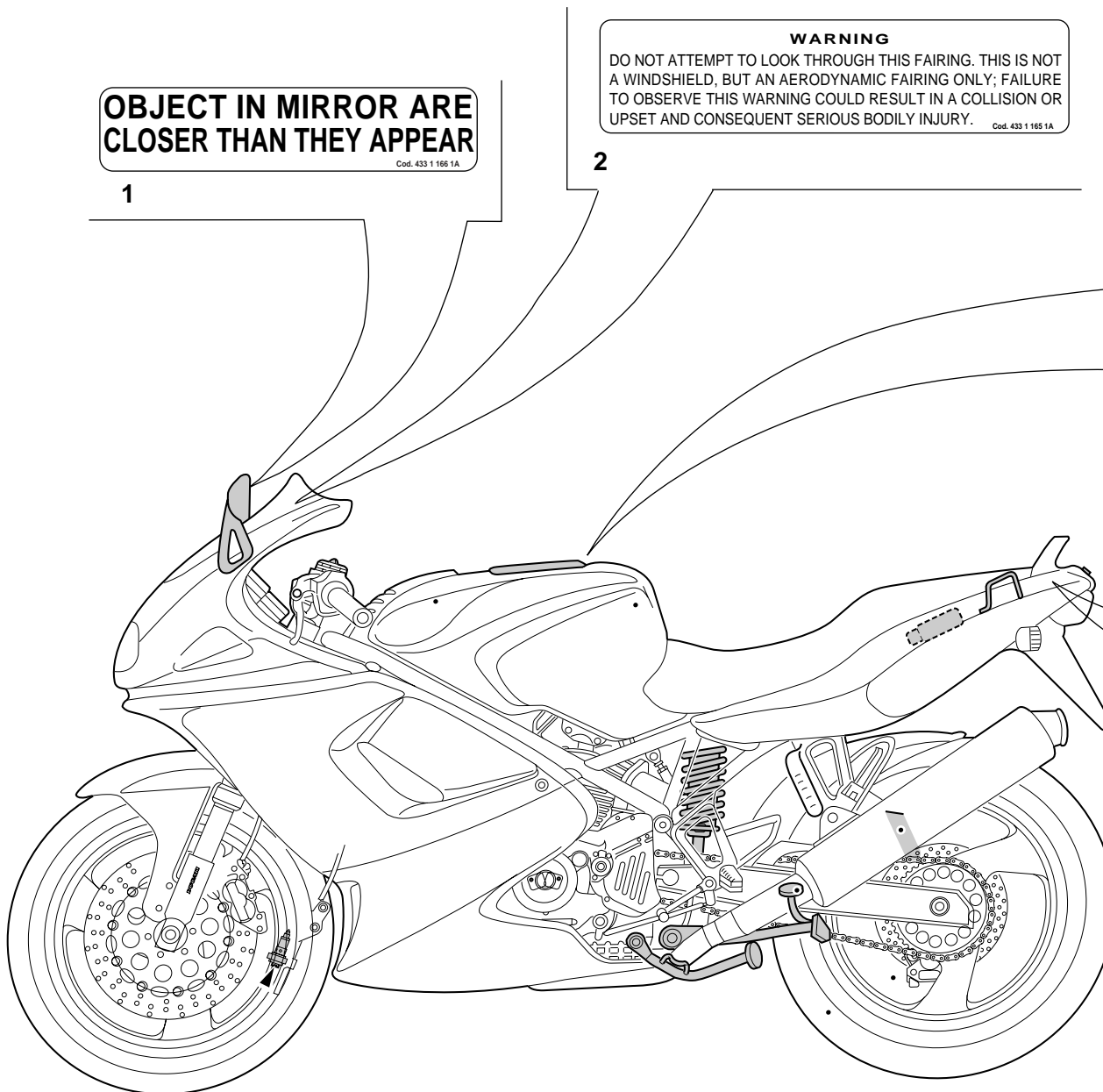
**ATTENTION!** To avoid fuel leaks from the breather pipe, do not lift the tank when it is more than half full.

Cod. 439.1.005.1A


4

**HELMET HOLDER  
UNDER THE SEAT**

3

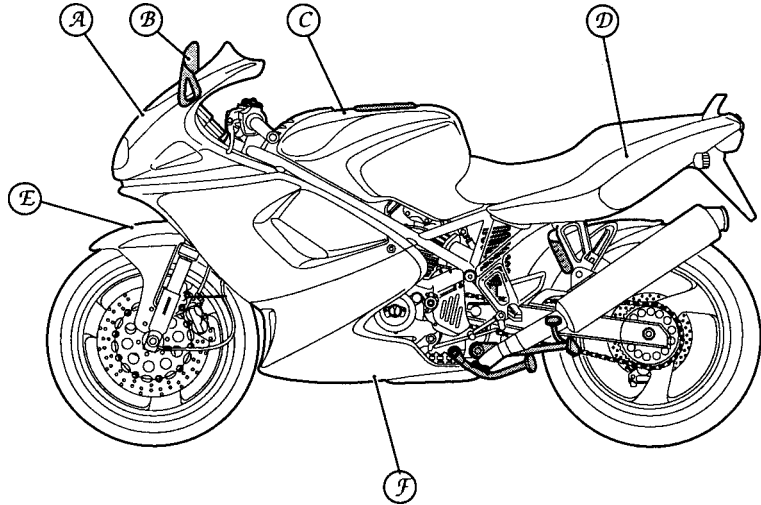


DRAWING **47** MARKING PLATES

NOTES	NO.	CODE NO.	DESCRIPTION	VALIDITY	Q.TY	
	1	433.1.165.1A	Sticker		1	
	2	433.1.166.1A	Label		2	
	3	433.1.170.1A	Sticker		1	
	4	433.1.164.1A	Sticker		1	

NOTES	NO.	CODE NO.	DESCRIPTION	VALIDITY	Q.TY	
-------	-----	----------	-------------	----------	------	---

**PAINTS**



Paint	Code	LECHLER	Code	SALCHI	Code	PPG
-------	------	---------	------	--------	------	-----

"Rosso Anniversary DUCATI"			539.5013		487.111	
----------------------------	--	--	----------	--	---------	--

"Grigio steel DUCATI"		539.5013			223.647	
-----------------------	--	----------	--	--	---------	--

"Blu metalizzato DUCATI"					291.800	
--------------------------	--	--	--	--	---------	--

- A** Headlight fairing
- C** Fuel tank
- D** Body panel
- E** Front mudguard
- F** Fairing

## INDEX

CODE No.	Drwg.	POS. N.	CODE No.	Drwg.	POS. N.	CODE No.	Drwg.	POS. N.	CODE No.	Drwg.	POS. N.	CODE No.	Drwg.	POS. N.
0000.16132	046	7	0000.61078	027	12	0000.79672	023	2	0370.69.865	021	13	0400.29.126	002	34
0000.18048	038	14	0000.62648	037	4	0000.79673	023	3	0370.69.910	020	4	0400.29.126	013	17
0000.33552	027	20	0000.62652	029	8	0011.52.010	010	23	0370.69.910	021	3	0400.49.240	005	13
0000.36230	038	20	0000.62705	025	12	0011.52.010	011	21	0370.69.920	020	3	0400.49.240	011	14
0000.36726	038	7	0000.62705	040	3	0124.40.050	012	9	0370.69.920	021	2	0404.02.390	017	4
0000.36726	042	14	0000.62726	019	10	0124.40.060	008	25	0370.69.930	020	21	0419.50.045	041	19
0000.40427	030	2	0000.62726	032	13	0150.70.120	005	17	0370.69.930	021	7	0419.50.115	041	16
0000.41039	017	10	0000.62726	036	18	0150.70.120	009	28	0370.69.940	020	22	0504.03.085	002	5
0000.42278	024	12	0000.62726	038	38	0150.92.280	002	5	0370.69.940	021	8	051.2.001.1A	001	24
0000.44099	019	6	0000.62729	023	9	0204.70.105	013	7	0370.69.970	020	31	0615.27.143	046	17
0000.44119	001	21	0000.63150	038	13	0214.07.350	002	22	0370.69.970	021	14	0619.47.030	006	12
0000.44120	001	20	0000.63150	042	9	0214.07.350	008	18	0370.72.020	027	8	0619.50.065	012	17
0000.44240	036	23	0000.63150	043	8	0250.70.223	046	14	0370.72.020	028	18	0619.84.015	017	2
0000.44240	038	18	0000.63161	042	10	0251.47.050	003	1	0370.84.005	017	1	0619.92.180	014	8
0000.44240	038	31	0000.63161	043	7	0251.47.054	003	1	0370.92.050	013	12	0619.92.180	015	8
0000.44240	046	6	0000.64471	037	3	0272.91.090	002	8	0370.98.610	033	20	0647.29.040	012	15
0000.46664	027	3	0000.66181	028	15	0361.98.850	046	18	0370.98.880	046	15	0647.70.010	014	12
0000.46664	028	3	0000.66526	031	24	0364.99.015	033	17	0375.92.170	014	14	0647.70.010	015	20
0000.55698	043	19	0000.66527	031	29	0364.99.020	032	11	0375.92.170	015	17	0659.16.555	004	1
0000.56741	024	22	0000.66774	025	27	0364.99.020	043	3	0375.92.210	014	13	0660.13.045	002	15
0000.56742	024	20	0000.69282	036	32	0364.99.710	034	14	0375.92.210	015	19	0660.13.060	002	19
0000.56747	024	17	0000.70139	001.1	4	0370.29.350	008	16	0400.09.050	002	21	0660.13.070	002	13
0000.56748	024	16	0000.70178	025	13	0370.39.780	036	37	0400.16.190	013	14	0660.13.133	002	7
0000.56750	023	15	0000.73456	036	31	0370.49.250	010	22	0400.17.030	004	36	0660.13.143	002	9
0000.56752	024	15	0000.74507	038	8	0370.69.850	020	23	0400.17.030	007	10	0660.13.165	002	25
0000.56803	031	25	0000.78345	025	15	0370.69.855	021	9	0400.29.040	008	26	0660.16.145	004	21
0000.60283	022	14	0000.78348	024	4	0370.69.860	020	35	0400.29.125	002	34	0660.29.030	013	9

## INDEX

CODE No.	Drwg.	POS. N.	CODE No.	Drwg.	POS. N.	CODE No.	Drwg.	POS. N.	CODE No.	Drwg.	POS. N.	CODE No.	Drwg.	POS. N.
0660.47.040	006	13	0670.92.010	010	8	0723.92.509	15	16	0723.92.523	14	19	0723.92.585	15	16
0660.49.053	009	17	0670.92.190	014	8	0723.92.510	14	19	0723.92.523	15	16	0723.92.595	14	19
0660.49.800	009	19	0670.92.190	015	8	0723.92.510	15	16	0723.92.524	14	19	0723.92.595	15	16
0660.50.020	012	8	0675.03.210	001	16	0723.92.511	14	19	0723.92.524	15	16	0723.92.605	14	19
0660.70.065	009	4	0675.49.540	005	21	0723.92.511	15	16	0723.92.525	14	19	0723.92.605	15	16
0660.92.183	014	16	0691.91.030	031	30	0723.92.512	14	19	0723.92.525	15	16	0723.92.615	14	19
0660.92.183	015	18	0723.92.239	014	19	0723.92.512	15	16	0723.92.526	14	19	0723.92.615	15	16
0660.92.240	014	15	0723.92.239	015	16	0723.92.513	14	19	0723.92.526	15	16	0723.92.625	14	19
0660.92.240	015	10	0723.92.500	14	19	0723.92.514	14	19	0723.92.527	14	19	0723.92.625	15	16
0660.92.245	014	15	0723.92.500	15	16	0723.92.514	17	16	0723.92.527	15	16	0723.92.635	14	19
0660.92.245	015	10	0723.92.501	14	19	0723.92.515	14	16	0723.92.528	14	19	0723.92.635	15	16
0660.92.310	013	18	0723.92.501	15	16	0723.92.515	14	19	0723.92.528	15	16	0723.92.645	14	19
0665.49.365	010	32	0723.92.502	14	19	0723.92.515	15	16	0723.92.529	14	19	0723.92.645	15	16
0665.49.680	005	8	0723.92.502	15	16	0723.92.516	14	19	0723.92.529	15	16	0723.92.655	14	19
0670.16.145	003	7	0723.92.503	14	19	0723.92.516	15	16	0723.92.530	14	19	0723.92.655	15	16
0670.16.150	003	3	0723.92.503	15	16	0723.92.517	14	19	0723.92.530	15	16	0723.92.675	14	19
0670.16.155	003	19	0723.92.504	14	19	0723.92.517	15	16	0723.92.535	14	19	0723.92.675	15	16
0670.16.163	003	11	0723.92.504	15	16	0723.92.518	14	19	0723.92.535	15	16	0723.92.685	14	19
0670.16.164	003	11	0723.92.505	14	19	0723.92.518	15	16	0723.92.545	14	19	0723.92.685	15	16
0670.16.164	003	15	0723.92.505	15	16	0723.92.519	14	19	0723.92.545	15	16	0723.92.695	14	19
0670.16.165	003	15	0723.92.506	14	19	0723.92.519	15	16	0723.92.555	14	19	0723.92.695	15	16
0670.16.170	003	26	0723.92.506	15	16	0723.92.520	14	19	0723.92.555	15	16	0723.92.705	14	19
0670.16.171	003	26	0723.92.507	14	19	0723.92.520	15	16	0723.92.565	14	19	0723.92.705	15	16
0670.16.184	003	15	0723.92.507	15	16	0723.92.521	14	19	0723.92.565	15	16	0723.92.715	14	19
0670.16.185	003	15	0723.92.508	14	19	0723.92.521	15	16	0723.92.575	14	19	0723.92.715	15	16
0670.49.310	009	26	0723.92.508	15	16	0723.92.522	14	19	0723.92.575	15	16	0723.92.725	14	19
0670.49.910	009	21	0723.92.509	14	19	0723.92.522	15	16	0723.92.585	14	19	0723.92.725	15	16



## INDEX

CODE No.	Drwg.	POS. N.	CODE No.	Drwg.	POS. N.	CODE No.	Drwg.	POS. N.	CODE No.	Drwg.	POS. N.	CODE No.	Drwg.	POS. N.
0723.92.735	14	19	0727.92.061	15	14	0727.92.075	14	17	0727.92.088	15	14	0727.92.158	14	17
0723.92.735	15	16	0727.92.062	14	17	0727.92.075	15	14	0727.92.089	14	17	0727.92.158	15	14
0723.92.745	14	19	0727.92.062	15	14	0727.92.076	14	17	0727.92.089	15	14	0727.92.159	14	17
0723.92.745	15	16	0727.92.063	14	17	0727.92.076	15	14	0727.92.090	14	17	0727.92.159	15	14
0727.92.050	14	17	0727.92.063	15	14	0727.92.077	14	17	0727.92.090	15	14	0727.92.160	14	17
0727.92.050	15	14	0727.92.064	14	17	0727.92.077	15	14	0727.92.092	14	17	0727.92.160	15	14
0727.92.051	14	17	0727.92.064	15	14	0727.92.078	14	17	0727.92.092	15	14	0727.92.161	14	17
0727.92.051	15	14	0727.92.065	14	17	0727.92.078	15	14	0727.92.094	14	17	0727.92.161	15	14
0727.92.052	14	17	0727.92.065	15	14	0727.92.079	14	17	0727.92.094	15	14	0727.92.162	14	17
0727.92.052	15	14	0727.92.066	14	17	0727.92.079	15	14	0727.92.096	14	17	0727.92.162	15	14
0727.92.053	14	17	0727.92.066	15	14	0727.92.080	14	17	0727.92.096	15	14	0727.92.163	14	17
0727.92.053	15	14	0727.92.067	14	17	0727.92.080	15	14	0727.92.150	14	17	0727.92.163	15	14
0727.92.054	14	17	0727.92.067	15	14	0727.92.081	14	17	0727.92.150	15	14	0727.92.164	14	17
0727.92.054	15	14	0727.92.068	14	17	0727.92.081	15	14	0727.92.151	14	17	0727.92.164	15	14
0727.92.055	14	17	0727.92.068	15	14	0727.92.082	14	17	0727.92.151	15	14	0727.92.165	14	17
0727.92.055	15	14	0727.92.069	14	17	0727.92.082	15	14	0727.92.152	14	17	0727.92.165	15	14
0727.92.056	14	17	0727.92.069	15	14	0727.92.083	14	17	0727.92.152	15	14	0727.92.166	14	17
0727.92.056	15	14	0727.92.070	14	17	0727.92.083	15	14	0727.92.153	14	17	0727.92.166	15	14
0727.92.057	14	17	0727.92.070	15	14	0727.92.084	14	17	0727.92.153	15	14	0727.92.167	14	17
0727.92.057	15	14	0727.92.071	14	17	0727.92.084	15	14	0727.92.154	14	17	0727.92.167	15	14
0727.92.058	14	17	0727.92.071	15	14	0727.92.085	14	17	0727.92.154	15	14	0727.92.168	14	17
0727.92.058	15	14	0727.92.072	14	17	0727.92.085	15	14	0727.92.155	14	17	0727.92.168	15	14
0727.92.059	14	17	0727.92.072	15	14	0727.92.086	14	17	0727.92.155	15	14	0727.92.169	14	17
0727.92.059	15	14	0727.92.073	14	17	0727.92.086	15	14	0727.92.156	14	17	0727.92.169	15	14
0727.92.060	14	17	0727.92.073	15	14	0727.92.087	14	17	0727.92.156	15	14	0727.92.170	14	17
0727.92.060	15	14	0727.92.074	14	17	0727.92.087	15	14	0727.92.157	14	17	0727.92.170	15	14
0727.92.061	14	17	0727.92.074	15	14	0727.92.088	14	17	0727.92.157	15	14	0727.92.171	14	17

## INDEX

CODE No.	Drwg.	POS. N.	CODE No.	Drwg.	POS. N.	CODE No.	Drwg.	POS. N.	CODE No.	Drwg.	POS. N.	CODE No.	Drwg.	POS. N.
0727.92.171	15	14	0727.92.185	14	17	0797.72.068	022	11	150.2.035.1A	003	28	180.1.008.1A	002	24
0727.92.172	14	17	0727.92.185	15	14	0799.13.110	002	27	153.1.005.1A	025	31	182.2.006.2B	002	18
0727.92.172	15	14	0727.92.186	14	17	0803.77.010	037	20	158.2.002.2A	006	5	190.2.001.3A	004	8
0727.92.173	14	17	0727.92.186	15	14	0905.49.960	009	20	160.1.049.1A	037	18	194.2.001.2A	004	12
0727.92.173	15	14	0727.92.187	14	17	112.1.007.1BA	006	8	160.1.057.1A	012	13	195.2.002.1B	004	22
0727.92.174	14	17	0727.92.187	15	14	112.1.007.1BB	006	8	160.9.053.1B	041	1	195.4.002.1A	028	31
0727.92.174	15	14	0727.92.188	14	17	117.1.001.2A	004	29	162.1.001.1B	004	7	196.1.001.1B	004	10
0727.92.175	14	17	0727.92.188	15	14	117.1.025.2A	036	13	170.2.023.1A	004	17	198.1.027.1A	004	13
0727.92.175	15	14	0727.92.189	14	17	117.1.032.1A	013	27	171.2.013.1B	008	24	210.1.003.5A	014	22
0727.92.176	14	17	0727.92.189	15	14	117.1.033.1A	020	8	172.1.002.1B	003	10	210.1.003.5A	015	6
0727.92.176	15	14	0727.92.239	014	17	120.2.036.1A	007	21	172.1.003.1A	003	8	211.1.003.4A	014	21
0727.92.177	14	17	0727.92.239	015	14	120.2.037.1A	007	1	172.1.004.1A	003	5	211.1.003.4A	015	7
0727.92.177	15	14	0755.17.125	007	11	121.1.005.1A	007	4	172.1.005.1A	003	9	220.3.208.3A	009	16
0727.92.178	14	17	0755.29.025	006	16	121.1.006.1A	007	3	172.1.006.1B	003	18	225.2.039.3B	010	1
0727.92.178	15	14	0755.29.025	008	23	121.2.003.1A	007	5	172.1.007.1B	003	24	235.1.005.1A	013	5
0727.92.179	14	17	0755.49.265	010	2	122.2.039.1A	007	2	172.1.008.1A	003	22	235.1.006.1A	013	11
0727.92.179	15	14	0759.49.280	009	15	135.1.013.1B	033	2	172.1.009.1A	003	21	235.2.015.1B	013	20
0727.92.180	14	17	0765.92.185	014	8	135.1.014.1B	033	3	172.1.010.1A	003	20	236.1.010.3A	004	26
0727.92.180	15	14	0765.92.185	015	8	135.1.015.1A	033	13	172.1.011.1A	003	23	240.1.010.1AA	014	10
0727.92.181	14	17	0765.92.190	014	8	137.1.003.1B	016	11	173.1.004.1A	012	20	240.1.010.1AA	015	12
0727.92.181	15	14	0765.92.190	015	8	146.2.061.1A	006	1	174.1.002.1A	009	3	240.1.016.1A	015	23
0727.92.182	14	17	0765.92.205	002	21	147.1.014.1A	008	27	174.1.004.1A	009	12	242.2.034.1A	011	13
0727.92.182	15	14	0765.92.205	014	8	148.1.052.1A	013	22	174.2.016.2A	009	1	243.1.025.1AC	005	1
0727.92.183	14	17	0765.92.205	015	8	148.1.053.1A	013	16	176.1.001.1A	012	6	243.2.004.1B	005	6
0727.92.183	15	14	0797.69.040	008	12	149.1.024.1A	003	25	176.1.002.1A	012	10	245.1.006.1AB	008	10
0727.92.184	14	17	0797.69.040	013	2	150.2.005.1A	003	27	180.1.001.1A	002	11	245.1.007.1AB	008	8
0727.92.184	15	14	0797.72.068	019	7	150.2.006.1A	003	2	180.1.002.1A	002	12	245.1.008.1AB	008	2

## INDEX

CODE No.	Drwg.	POS. N.	CODE No.	Drwg.	POS. N.	CODE No.	Drwg.	POS. N.	CODE No.	Drwg.	POS. N.	CODE No.	Drwg.	POS. N.
245.1.009.1AB	008	6	300182	032	16	304.1.006.2AB	014	3	365.2.027.1B	035	6	403.1.009.1A	024	6
245.1.010.1AB	008	3	301.2.020.1C	014	1	304.1.006.2AB	015	4	369.1.004.1A	034	8	404.1.003.1A	024	24
246.1.009.1B	023	22	301.2.021.1C	015	1	304.1.006.2AC	014	3	370.1.021.1A	034	10	407.4.001.1B	024	23
246.1.055.1A	033	21	303.1.003.1A	014	4	304.1.006.2AC	015	4	372.2.008.1A	035	1	408.1.001.1A	024	3
247.1.002.1BB	011	23	303.1.003.1A	015	3	340.2.069.1B	026	1	373.1.023.1B	034	21	408.1.010.1A	024	18
247.1.083.1AB	011	2	303.1.003.1AB	014	4	340.2.070.1B	026	4	373.1.028.1A	034	20	417.5.033.7A	013	29
247.1.104.1A	009	2	303.1.003.1AB	015	3	341.1.020.1A	025	23	373.1.029.1A	034	17	417.6.075.9A	005	3
247.1.114.1A	011	31	303.1.003.1AC	014	4	342.2.015.1A	025	3	386.4.006.1A	031	26	417.6.082.9A	010	30
247.2.105.2A	040	25	303.1.003.1AC	015	3	347.1.014.1A	026	6	386.4.013.1A	020	37	417.7.007.1A	038	30
250.2.030.2A	009	5	303.1.003.1AD	014	4	349.1.064.1A	026	8	387.4.002.1A	031	27	417.9.030.6A	020	9
251.2.002.3B	011	29	303.1.003.1AD	015	3	349.1.065.1A	026	9	389.4.006.1A	023	21	417.9.030.8A	025	1
254.1.001.1A	011	25	303.2.004.1C	014	5	349.1.095.1A	026	2	389.4.007.1A	023	21	417.9.050.6A	012	3
254.4.001.1A	005	4	303.2.004.1C	015	2	349.1.096.1A	026	16	389.4.007.1A	031	23	417.9.050.6A	032	5
255.1.001.1B	008	13	303.2.004.1CB	014	5	349.1.097.1A	026	7	389.4.008.1A	023	21	417.9.090.1A	035	17
255.1.004.1A	013	3	303.2.004.1CB	015	2	349.1.098.1A	026	11	389.4.010.1A	023	21	420.2.000.7A	007	6
264.4.018.1A	011	1	303.2.004.1CC	014	5	349.1.101.1A	026	18	389.4.013.1A	031	23	420.2.000.7A	014	23
270.4.001.1A	012	1	303.2.004.1CC	015	2	349.1.102.1A	026	20	389.4.014.1A	031	2	420.2.000.7A	015	24
276.1.028.1A	012	16	303.2.004.1CD	014	5	349.1.103.1A	026	21	389.4.015.1A	031	23	420.2.000.8A	002	5
280.4.002.1A	016	10	303.2.004.1CD	015	2	349.1.109.1A	026	17	390.4.003.1A	038	16	420.2.000.8A	036	22
282.4.014.1A	016	1	304.1.005.2A	014	2	349.1.110.1A	026	24	390.4.005.1A	042	2	420.2.001.0A	011	32
283.4.003.1A	041	32	304.1.005.2A	015	5	349.1.111.1A	026	22	390.4.007.1A	023	16	420.2.001.0A	017	20
284.4.002.1A	016	2	304.1.005.2AB	014	2	349.1.112.1A	026	3	390.4.008.1A	023	35	420.2.001.0A	027	17
285.4.003.1A	031	8	304.1.005.2AB	015	5	349.1.120.1A	026	23	395.4.001.1A	032	17	420.2.001.0A	028	8
286.4.013.1A	031	15	304.1.005.2AC	014	2	349.2.010.1A	026	15	397.4.001.1A	032	7	420.2.001.0A	036	26
287.4.014.1A	023	34	304.1.005.2AC	015	5	349.2.014.1A	026	10	400.2.013.1C	024	1	420.2.001.0A	040	21
287.4.024.1B	016	8	304.1.006.2A	014	3	360.1.014.1B	025	24	401.4.012.1A	024	21	420.2.001.0A	041	6
287.4.040.2A	031	19	304.1.006.2A	015	4	360.1.015.1B	025	16	402.4.007.1A	024	2	420.2.006.2A	010	26

## INDEX

CODE No.	Drwg.	POS. N.	CODE No.	Drwg.	POS. N.	CODE No.	Drwg.	POS. N.	CODE No.	Drwg.	POS. N.	CODE No.	Drwg.	POS. N.
420.2.006.4A	009	32	456.1.006.1A	020	12	470.1.034.1A	019	1	482.3.021.1A	039	28	514.1.017.1A	032	4
420.2.006.4A	010	33	456.2.009.1A	020	16	480.1.058.0A	043	1	482.3.022.1A	039	29	516.4.001.1AB	031	6
425.4.004.1B	041	22	457.2.008.1A	036	6	480.1.058.1DA	043	1	484.1.024.1AA	042	5	520.4.011.2B	023	1
426.1.007.1A	046	10	460.1.062.1A	020	25	480.1.058.1DB	043	1	484.1.024.1AB	042	5	523.4.006.1AA	042	24
427.1.003.1A	041	8	460.1.063.1A	021	16	480.1.058.1DD	043	1	484.1.024.1AD	042	5	523.4.006.1AB	042	24
427.4.002.1A	041	20	460.1.070.1A	042	26	480.1.059.0A	043	9	484.1.025.1AA	043	26	523.4.006.1AD	042	24
430.4.004.1A	041	12	460.1.071.1A	042	22	480.1.059.2AA	043	9	484.1.026.1AA	043	27	523.4.007.1AA	042	19
433.1.028.1C	005	19	460.1.072.1A	042	20	480.1.059.2AB	043	9	484.1.029.1B	041	10	523.4.007.1AB	042	19
433.1.164.1A	047	4	460.1.073.1A	024	28	480.1.059.2AD	043	9	484.1.031.1AA	043	12	523.4.007.1AD	042	19
433.1.165.1A	047	1	460.1.074.1A	024	29	480.1.060.0A	043	25	484.1.031.1AB	043	12	525.1.004.2A	038	24
433.1.166.1A	047	2	460.1.075.1A	019	2	480.1.060.1DA	043	25	484.1.031.1AD	043	12	525.4.010.1A	038	15
433.1.170.1A	047	3	460.1.076.1A	025	35	480.1.060.1DB	043	25	484.3.024.1A	042	5	529.1.006.1A	038	25
433.1.179.1A	031	17	460.1.077.1A	038	32	480.1.060.1DD	043	25	484.3.031.1A	043	12	529.1.006.1A	038	36
433.1.220.1A	034	5	460.1.079.1A	043	11	480.1.061.0A	043	24	487.1.014.1A	042	27	529.1.008.1AB	043	32
433.1.238.1A	023	23	460.1.080.1A	038	37	480.1.061.2AA	043	24	492.4.003.1A	037	24	529.4.003.1A	045	6
436.1.021.1A	039	32	462.3.003.7A	002	31	480.1.061.2AB	043	24	492.4.024.1A	037	10	529.4.005.1A	045	6
437.1.107.1AA	043	2	462.3.003.7A	008	21	480.1.061.2AD	043	24	494.1.068.3D	037	15	530.4.003.1B	038	6
437.1.111.1AA	043	31	462.3.003.8A	002	29	481.1.016.1BA	042	1	497.2.001.2A	037	8	530.4.004.1B	038	23
437.1.113.1AA	043	30	462.3.003.8A	011	7	481.1.016.1BB	042	1	498.1.009.1A	037	2	530.4.005.1A	042	16
438.1.096.1AA	045	1	462.4.037.6A	009	11	481.1.016.1BD	042	1	501.2.019.1A	037	7	530.4.006.1A	042	15
438.1.096.1AB	045	1	462.4.037.8A	009	9	481.3.016.1A	042	1	502.2.017.1A	037	23	532.4.002.1A	038	34
442.2.032.1A	033	6	463.2.019.6A	007	9	482.1.027.1BA	039	18	510.1.108.1A	038	21	538.4.005.1A	023	33
447.1.030.1A	034	13	463.2.022.2A	016	14	482.1.027.1BB	039	18	510.1.141.1B	031	1	539.1.023.1A	018	13
447.1.031.1A	034	4	463.2.053.7A	004	15	482.1.027.1BD	039	18	510.1.147.1A	023	14	539.4.003.1B	036	15
449.1.027.2A	003	12	463.4.026.9A	004	16	482.1.028.1BA	039	21	510.2.003.1A	041	28	539.4.004.1B	028	5
451.2.001.1A	008	17	463.4.047.7A	005	18	482.1.028.1BB	039	21	513.1.008.1D	032	18	539.4.008.1D	005	16
455.2.003.1A	002	4	463.7.022.6A	004	20	482.1.028.1BD	039	21	514.1.016.1A	032	2	539.4.020.1A	002	6

## INDEX

CODE No.	Drwg.	POS. N.	CODE No.	Drwg.	POS. N.	CODE No.	Drwg.	POS. N.	CODE No.	Drwg.	POS. N.	CODE No.	Drwg.	POS. N.
540.4.011.1C	023	10	565.1.022.2A	039	22	590.1.104.1A	046	13	60N102557	025	7	626.4.013.1A	036	29
541.4.003.1A	023	31	570.1.034.1A	017	7	590.1.106.1A	046	2	60N102584	034	9	630.4.006.1A	027	1
541.4.003.1A	031	22	571.1.018.2A	017	5	593.1.003.1B	033	14	60N107335	004	28	631.4.004.1A	028	9
546.1.110.1A	031	16	573.1.046.5B	017	11	593.1.018.1A	009	29	60N107335	007	14	631.4.008.1A	027	5
548.4.019.1A	029	1	574.1.046.5B	017	18	595.1.034.1A	039	16	60N107335	011	3	631.4.008.1A	028	21
550.4.008.1A	029	4	575.1.001.1A	017	3	598.2.017.1A	019	18	60N107335	013	10	631.4.008.1A	036	28
552.1.003.2A	040	12	576.1.034.1A	017	12	598.2.019.1A	038	5	60N107335	038	22	632.1.013.1A	027	18
552.4.002.1A	023	27	576.1.035.1A	017	19	598.4.011.3A	025	8	60N115062	036	9	650.4.006.1B	025	25
552.4.009.1A	011	38	585.1.019.1A	033	18	598.4.015.1A	039	33	60N115548	038	19	651.4.008.1A	025	14
552.4.012.1A	023	24	585.1.020.1A	030	1	60N101079	010	15	610.4.011.2B	028	26	652.4.004.3A	025	9
552.4.013.1A	030	9	585.4.001.1A	036	20	60N101079	011	6	610.4.012.2B	028	7	654.4.006.1A	025	30
552.4.028.1A	001.2	15	586.1.029.1BA	040	1	60N102488	024	5	611.4.009.1A	036	36	655.2.005.1A	025	18
553.4.003.1A	030	19	586.1.029.1BB	040	1	60N102504	007	12	612.4.008.1A	028	12	656.1.018.1A	025	26
555.1.005.1A	018	3	586.1.029.1BD	040	1	60N102505	008	7	612.4.008.1A	036	40	658.4.002.1B	025	29
555.1.006.1A	018	4	586.3.029.1A	040	1	60N102505	036	21	612.4.014.1A	028	4	668.1.001.2A	011	16
555.1.007.1A	018	2	590.1.055.1A	041	14	60N102509	002	28	612.4.016.1A	036	39	669.1.003.1A	014	18
556.1.017.1C	018	14	590.1.056.1A	041	23	60N102509	005	2	612.4.017.1A	028	10	669.1.003.1A	015	15
556.1.018.1C	018	15	590.1.058.1A	041	24	60N102509	008	1	613.4.020.1A	028	25	670.4.007.1A	031	32
556.2.020.1B	018	16	590.1.059.1A	041	21	60N102509	013	21	613.4.021.1A	036	38	671.1.008.1A	031	10
559.1.005.1A	039	1	590.1.069.1A	046	12	60N102510	005	5	618.4.032.1B	028	23	672.1.006.1A	004	27
561.1.013.2A	038	29	590.1.084.1A	016	7	60N102510	008	5	619.4.015.1A	036	30	672.1.019.1A	023	18
561.1.017.1B	038	27	590.1.085.1A	040	9	60N102510	009	10	624.4.012.1B	028	1	672.1.022.1A	023	17
564.1.023.1AA	043	18	590.1.095.1A	040	16	60N102510	011	19	625.4.006.1A	036	27	676.2.029.1A	034	11
564.1.023.1AB	043	18	590.1.096.1A	016	12	60N102510	012	5	626.1.003.1A	027	2	676.4.018.1A	034	15
564.1.023.1AD	043	18	590.1.097.1B	046	11	60N102511	011	15	626.1.003.1A	028	2	677.4.003.1A	001.1	12
564.3.023.1A	043	18	590.1.098.1A	046	22	60N102511	019	15	626.4.008.1B	028	20	680.1.001.1B	009	7
565.1.021.1A	034	16	590.1.099.1A	016	13	60N102511	030	15	626.4.010.1A	027	4	684.1.020.1A	032	8

## INDEX

CODE No.	Drwg.	POS. N.	CODE No.	Drwg.	POS. N.	CODE No.	Drwg.	POS. N.	CODE No.	Drwg.	POS. N.	CODE No.	Drwg.	POS. N.
684.1.022.1B	024	7	702.5.008.1A	011	4	713.1.014.1A	003	11	72094.1616	010	10	73500.1237	012	7
697.2.009.2C	039	25	702.5.016.1A	004	14	713.1.014.1A	003	15	72121.2106	006	4	73500.1440	012	11
698.1.015.1A	045	7	702.5.017.1A	010	12	713.1.014.1B	003	11	72231.0871	043	29	73500.1542	002	35
698.1.016.1A	045	10	703.1.013.1A	025	34	713.1.014.1E	003	11	72237.0657	042	12	73500.2668	041	26
698.1.021.1BA	045	2	70610.8120	004	11	713.1.014.1E	003	15	72237.0657	045	3	73503.3075	005	11
698.1.021.1BB	045	2	70620.5212	011	40	713.1.014.1F	003	11	72237.0974	041	17	73503.3380	010	18
698.1.021.1BD	045	2	70620.5212	024	13	713.1.018.1A	008	9	72237.0974	043	10	73503.3380	011	43
698.1.022.1BA	045	11	70700.6N02	027	10	713.1.097.1B	037	13	72237.0974	045	5	73503.3449	041	33
698.1.022.1BB	045	11	70700.6N02	028	19	713.1.098.1A	037	22	72465.0214	028	30	736.4.013.1B	043	23
698.1.022.1BD	045	11	70914.2121	017	14	713.1.112.1A	041	5	72944.1542	008	11	73601.0220	013	28
698.1.023.1A	045	4	710.1.001.1A	009	13	713.1.118.1A	011	10	72944.1542	013	1	737.4.002.1A	008	14
698.1.024.1A	045	13	710.1.002.1A	004	33	713.1.126.1A	042	18	729908FN1	016	15	741.1.003.1A	017	6
698.1.025.1A	045	9	710.1.005.2A	010	28	713.1.127.1A	042	23	729908FN1	022	9	741.1.012.1A	038	33
698.1.026.1A	045	8	710.1.012.1B	010	29	713.1.128.1A	011	27	729910FF1	019	16	741.1.013.1A	019	3
698.1.027.1A	045	12	710.1.025.1A	035	4	713.1.129.1A	039	13	732.1.005.1A	039	27	741.1.013.1A	046	3
700.1.005.1A	037	21	710.1.041.1B	037	17	713.1.130.1A	044	5	732.2.006.1A	038	3	741.4.001.1A	030	7
700.1.023.2A	031	12	710.1.046.1A	035	12	713.1.140.1A	010	14	73270.8001	017	13	741.4.002.1A	007	15
700.1.024.1A	039	20	710.1.057.1A	035	9	714.1.028.1A	037	6	734005N01	011	39	741.4.002.1A	030	12
700.1.025.1A	039	19	711.1.006.1A	010	34	715.1.004.1A	035	19	734006N01	012	2	741.4.002.1A	033	15
701.4.003.1A	012	19	711.1.007.1A	006	6	716.1.022.1A	023	6	734006N01	032	6	741.4.004.1A	040	10
701.4.005.1A	003	4	711.1.082.1A	013	26	716.1.022.1A	024	14	734305N01	025	21	741.4.004.1A	041	13
701.4.006.1A	035	3	711.1.083.1A	017	16	716.1.022.1A	032	10	734305N01	039	12	741.4.013.1B	016	5
701.4.007.1A	012	21	711.1.084.1A	030	21	716.1.022.1A	033	9	734306N01	005	22	741.4.013.1B	046	16
702.4.004.1A	025	6	712.1.013.1A	040	5	716.1.022.1A	038	11	73500.0624	036	3	741.4.022.1A	016	3
702.4.009.1A	011	11	713.1.006.1A	013	6	716.1.038.1A	030	4	73500.0827	020	17	741.4.025.1A	030	8
702.4.010.1A	011	9	713.1.011.1A	003	15	716.1.038.1A	039	7	73500.0827	021	4	741.4.038.1A	031	31
702.5.008.1A	010	20	713.1.012.1B	004	31	716.1.043.1A	046	5	73500.1237	009	25	741.4.040.1A	016	6

## INDEX

CODE No.	Drwg.	POS. N.	CODE No.	Drwg.	POS. N.	CODE No.	Drwg.	POS. N.	CODE No.	Drwg.	POS. N.	CODE No.	Drwg.	POS. N.
741.4.041.1A	016	9	750.1.041.1A	035	15	764.1.003.1B	004	6	771.4.006.1A	011	36	771.5.431.2B	028	6
741.4.043.1A	027	14	750.1.042.1A	040	17	764.1.009.1A	014	20	771.5.002.1A	044	4	771.5.667.2B	027	6
741.4.043.1A	028	16	750.5.001.1A	002	23	764.1.009.1A	015	21	771.5.004.2B	034	18	771.5.667.2B	028	24
741.4.043.1A	036	17	750.5.001.1A	031	11	764.1.010.1A	013	25	771.5.025.2B	031	7	771.5.667.2B	039	6
741.4.055.1A	030	22	750.5.001.1A	031	14	764.1.011.1A	036	5	771.5.040.2B	008	4	771.5.721.2B	031	5
741.4.057.1A	046	1	750.5.001.1A	038	12	764.1.013.1A	014	6	771.5.040.2B	011	5	771.5.721.2B	037	9
741.4.058.1A	046	20	75110.1747	013	8	764.1.013.1A	015	22	771.5.040.2B	040	15	771.5.723.2B	031	3
741.4.059.1A	046	21	75110.2054	013	13	764.1.016.1A	023	28	771.5.043.2B	004	4	771.5.723.2B	037	25
741.4.063.1A	046	19	75113.2566	004	18	764.1.019.1A	040	23	771.5.043.2B	022	3	771.5.724.2B	036	35
74172.1008	006	10	75143.3380	010	19	764.1.022.1A	029	6	771.5.043.2B	038	28	771.5.725.2B	020	2
74172.1008	008	22	75162.2566	037	5	764.1.022.1A	029	10	771.5.045.7E	040	14	771.5.725.2B	021	5
74172.1008	013	15	75162.3075	037	16	764.1.023.1A	039	26	771.5.064.2B	014	11	771.5.725.2B	025	22
74223.1045	033	12	75166.1238	008	19	764.4.003.1A	023	4	771.5.064.2B	015	13	771.5.754.2B	018	8
74224.0570	004	34	75173.1542	013	19	764.4.005.1A	031	28	771.5.066.2B	011	20	771.5.754.2B	036	14
74224.0570	006	7	75191.3380	010	21	764.5.018.1A	024	25	771.5.072.2B	005	24	771.5.937.2B	035	20
747.1.006.1A	035	14	75791.1747	010	9	76400.0004	010	3	771.5.072.2B	010	35	771.5.938.2B	035	5
747.5.001.1A	020	7	75794.1542	010	17	76401.0002	020	10	771.5.072.2B	030	16	772.1.001.1A	018	1
748.1.014.1B	037	1	758.1.019.1A	022	7	76401.0003	020	6	771.5.073.2B	011	37	772.1.001.1A	019	11
748.1.023.1A	034	1	759.1.015.1A	039	31	76401.0009	035	13	771.5.073.2B	013	24	772.5.004.1A	020	24
748.4.024.1A	037	12	760.1.003.1A	033	11	76401.0010	035	18	771.5.078.2B	005	20	772.5.004.1A	021	17
749.4.045.2G	018	7	760.1.015.1A	039	8	76402.0002	003	17	771.5.078.2B	012	12	772.5.004.1A	025	36
749.4.045.2G	018	17	76266.2668	010	4	765.1.001.1A	020	15	771.5.080.2B	010	31	772.5.008.1A	044	3
749.5.001.1A	031	9	76267.0012	009	24	766.1.001.2B	010	6	771.5.122.2B	002	30	772.5.023.1A	022	6
749.5.001.1A	038	40	76270.0827	003	29	76835.1134	002	10	771.5.122.2B	008	20	772.5.023.1A	025	28
749.5.001.1A	042	8	763106N01	020	5	770.5.619.2B	039	11	771.5.129.2B	009	8	772.5.023.1A	029	9
750.1.002.1B	004	35	763106N01	040	18	771.1.008.1A	035	11	771.5.136.2B	010	24	772.5.023.1A	030	3
750.1.012.2A	006	14	764.1.001.1A	017	15	771.1.009.1A	035	10	771.5.141.2B	022	8	772.5.023.1A	032	15

## INDEX

CODE No.	Drwg.	POS. N.	CODE No.	Drwg.	POS. N.	CODE No.	Drwg.	POS. N.	CODE No.	Drwg.	POS. N.	CODE No.	Drwg.	POS. N.
772.5.023.1A	033	8	779.1.007.2A	006	9	779.4.005.1A	018	12	799.1.012.1A	004	25	8000.18048	024	11
772.5.023.1A	038	1	779.1.026.1A	009	23	779.5.001.1A	009	6	799.1.024.1A	020	32	8000.18048	033	10
772.5.023.1A	042	17	779.1.026.1A	010	27	779.5.001.1A	020	11	799.1.024.1A	021	12	8000.36230	023	8
772.5.024.1A	019	14	779.1.037.1A	034	22	779.5.001.1A	043	5	799.1.025.1A	002	20	8000.56359	019	9
772.5.024.1A	020	19	779.1.039.1A	002	3	779.5.001.1A	046	9	799.1.049.1A	002	1	8000.56359	032	9
772.5.024.1A	022	12	779.1.058.1A	027	16	779.5.005.1A	009	33	799.1.051.2A	006	15	8000.56391	040	13
772.5.024.1A	023	5	779.1.058.1A	028	11	779.5.010.1A	035	7	799.1.055.1A	009	30	8000.56391	043	13
772.5.024.1A	025	20	779.1.058.1A	036	25	779.5.012.1A	017	17	799.1.058.1A	025	33	8000.56443	027	13
772.5.024.1A	036	12	779.1.082.1A	027	19	779.5.012.1A	025	19	799.1.061.1A	014	7	8000.56443	032	3
772.5.024.1A	038	26	779.1.088.1A	023	20	779.5.012.1A	025	32	799.1.061.1A	015	9	8000.56443	038	10
772.5.025.1A	028	27	779.1.088.1A	033	5	780.1.006.1A	009	31	799.1.069.1A	018	5	8000.56443	039	23
772.5.025.1A	029	3	779.1.088.1A	039	3	780.1.007.1A	017	8	799.1.070.1A	018	6	8000.59056	020	14
772.5.025.1A	032	20	779.1.089.1A	043	17	780.1.008.1A	041	7	799.1.071.1A	020	29	8000.59056	036	4
772.5.025.1A	040	6	779.1.092.1A	027	7	780.1.016.1A	006	3	799.1.072.1A	017	9	8000.59572	023	13
77499.3421	011	17	779.1.092.1A	028	17	780.5.001.1A	011	33	799.1.083.1B	036	41	8000.67981	036	8
775.1.006.1A	032	19	779.1.099.1A	025	2	786.1.047.1A	007	7	799.1.088.1A	018	10	8000.68490	028	14
775.1.008.2A	039	17	779.1.109.1A	006	2	787.1.009.1A	009	18	799.1.089.1A	018	9	8000.70127	026	12
775.1.011.1A	042	11	779.1.116.1A	024	26	788.1.003.1B	011	41	799.2.077.1A	009	14	8000.70133	026	14
775.1.011.1A	043	6	779.1.116.1A	042	21	788.1.012.1A	011	41	800.1.007.1A	007	18	8000.77921	040	20
775.5.002.1A	044	6	779.1.119.2A	034	3	788.1.013.1A	011	41	800.1.014.1A	007	16	801.1.003.1A	016	4
776.4.002.1A	024	19	779.1.133.1A	014	24	788.1.032.2A	014	9	800.1.031.1A	030	18	806.1.011.0A	038	2
776.5.307.2A	028	29	779.1.133.1A	015	25	788.1.032.2A	015	11	800.1.033.1A	030	17	806.1.011.1AA	038	2
777.5.002.1A	020	20	779.1.157.1A	023	26	788.1.052.1A	005	7	800.1.047.1A	030	20	806.1.011.1AB	038	2
777.5.002.1A	021	6	779.1.158.1A	041	2	788.1.054.1A	012	4	800.1.048.1A	030	13	806.1.011.1AD	038	2
777.5.007.2B	042	4	779.1.159.1A	020	26	788.1.056.1A	011	30	800.1.049.1A	030	6	806.1.012.1A	020	27
777.5.049.2C	011	24	779.1.160.1A	029	5	791.1.012.1A	040	26	8000.18048	023	7	806.1.013.1A	020	36
777.5.210.2A	025	17	779.1.162.1A	009	27	791.2.003.1A	007	19	8000.18048	024	8	808.1.007.1A	035	8



## INDEX

CODE No.	Drwg.	POS. N.	CODE No.	Drwg.	POS. N.	CODE No.	Drwg.	POS. N.	CODE No.	Drwg.	POS. N.	CODE No.	Drwg.	POS. N.
808.1.018.1A	042	3	824.1.040.1B	021	1	827.2.003.1A	029	7	829.1.208.1A	028	28	852.1.076.2A	006	11
808.1.019.1A	039	9	824.1.041.1C	020	30	827.2.134.1A	040	7	829.1.240.1A	028	22	852.1.077.2A	006	11
80A0.06385	031	13	824.1.042.1C	021	15	829.1.073.2A	036	24	829.1.241.1A	027	9	852.1.078.2A	006	11
80A0.53548	020	18	825.1.022.1A	036	34	829.1.077.2B	041	11	829.4.001.1A	039	5	852.1.079.1A	034	19
80A0.55757	036	11	826.1.003.1A	010	11	829.1.104.1A	041	18	830.1.040.1B	019	8	852.1.094.1A	002	19
80B0.55703	040	24	826.1.009.1A	002	33	829.1.127.1A	031	20	830.1.131.1A	040	22	852.1.098.1A	041	3
80B0.55703	043	14	826.1.011.1A	003	13	829.1.136.1A	038	35	830.1.144.1A	011	35	852.1.100.1A	006	11
80C0.05893	040	4	827.1.012.1A	043	15	829.1.167.1AA	022	4	841.1.001.1C	043	4	852.1.101.1A	006	11
814.1.002.1AA	007	13	827.1.045.1A	020	34	829.1.168.1AA	022	1	841.1.002.2A	004	2	852.1.103.1A	025	4
814.1.053.1A	030	14	827.1.045.1A	021	10	829.1.169.1A	019	5	847.4.002.1A	020	33	852.1.105.1AB	003	26
814.1.057.1A	041	29	827.1.061.1A	039	4	829.1.170.1A	019	4	847.4.002.1A	021	11	852.1.105.1AD	003	26
814.1.058.1A	041	4	827.1.071.1A	032	12	829.1.172.1A	032	22	850.1.003.1A	043	21	852.1.105.1AG	003	26
814.1.059.1A	030	11	827.1.072.1A	032	21	829.1.174.1A	022	5	850.4.013.1A	042	28	852.1.108.1AH	003	1
818.2.009.1A	004	3	827.1.077.1A	032	1	829.1.175.2A	022	10	850.4.016.1A	039	14	852.1.108.1AL	003	1
819.1.017.1A	037	11	827.1.089.1A	023	12	829.1.177.1A	024	9	850.4.031.1A	041	9	852.1.108.1AN	003	1
819.1.030.1A	034	2	827.1.090.1A	023	25	829.1.179.1A	022	15	851.1.001.1B	004	9	852.1.111.1A	002	5
821.1.001.1A	002	26	827.1.121.1A	019	13	829.1.183.1A	023	32	851.4.001.1A	004	5	852.1.112.1A	006	11
821.1.009.1B	037	19	827.1.122.1A	025	11	829.1.184.1A	036	1	852.1.001.1A	034	12	852.1.114.1A	011	34
821.1.028.2B	040	8	827.1.123.1A	033	1	829.1.185.1A	013	23	852.1.002.1A	034	12	852.5.001.1A	038	9
821.1.052.1A	036	7	827.1.124.1A	033	4	829.1.186.1A	040	11	852.1.003.1A	034	12	852.5.001.1A	038	39
821.1.054.1A	023	19	827.1.130.1A	042	7	829.1.190.1A	023	30	852.1.005.1A	002	14	852.5.002.1A	042	13
821.1.070.1A	002	17	827.1.131.1A	042	6	829.1.190.1A	031	21	852.1.008.1A	005	10	852.5.002.1A	043	28
821.1.073.1A	025	10	827.1.139.1B	018	11	829.1.196.1A	031	4	852.1.024.1A	024	27	856.1.001.1A	003	6
821.1.075.1A	024	10	827.1.157.1A	046	8	829.1.204.1A	022	13	852.1.053.1A	002	2	856.1.002.1A	008	15
821.1.081.1A	038	17	827.1.162.1A	042	25	829.1.205.1A	044	2	852.1.053.1A	020	13	856.1.002.1A	013	4
821.1.096.1A	036	10	827.1.166.1A	023	11	829.1.206.1A	044	1	852.1.054.1A	036	2	856.1.024.1A	010	7
824.1.039.1A	020	1	827.1.192.1A	020	38	829.1.207.1A	046	4	852.1.075.1A	043	22	856.1.031.1A	003	16

## INDEX

CODE No.	Drwg.	POS. N.	CODE No.	Drwg.	POS. N.	CODE No.	Drwg.	POS. N.	CODE No.	Drwg.	POS. N.	CODE No.	Drwg.	POS. N.
856.1.040.1A	039	30	881.1.027.2A	022	2	88713.0957	001.1	6	88765.1076	001.2	21	895.4.001.2A	040	2
856.1.040.1A	043	16	881.1.030.1A	005	23	88713.0960	001.1	5	88765.1077	001.2	21	8A00.67.610	030	5
856.1.040.1A	043	20	881.2.001.1A	004	19	88713.1010	001.1	11	88765.1086	001	27	8A00.67997	003	14
861.5.003.1A	020	28	882.1.003.1A	008	28	88713.1058	001.1	9	88765.1126	001.2	6	8A00.67997	036	33
863.1.002.1A	012	14	882.1.006.1A	002	16	88713.1071	001.1	8	88765.1126A	001.2	4	8A00.67997	038	4
866.1.029.1A	040	19	884.1.005.1A	026	5	88713.1072	001.1	10	88765.1126B	001.2	12	8A00.69056	026	13
866.1.030.1A	039	15	884.4.007.1A	034	7	88713.1091	001	26	88765.1126C	001.2	11	8BB0.61070	044	7
866.1.031.1A	032	14	884.5.008.1A	037	14	88713.1097	001.1	1	88765.1126D	001.2	14	8H00.67545	039	10
866.1.034.1A	019	20	884.5.011.1A	011	8	88713.1139	001	11	88765.1126E	001.2	9	913.7.062.1A	039	24
872.1.019.1A	034	6	886.4.021.1A	041	30	88713.1140	001.1	2	88765.1126F	001.2	13	914.7.023.1A	001.2	2
872.1.022.1A	039	2	886.4.022.1A	041	31	88713.1178	001	17	88765.1126G	001.2	17	914.7.023.1B	001.2	2
872.1.026.1A	019	12	886.5.001.1A	041	15	88713.1215	001	25	88765.1126H	001.2	16	914.7.023.1C	001.2	2
872.1.027.1A	019	17	886.5.011.1A	041	27	88713.1344	001.1	3	88765.1126L	001.2	19	914.7.023.1D	001.2	2
872.4.018.1A	031	18	88700.5644	001	5	88713.1515	001.1	7	88765.1126M	001.2	18	914.7.023.1E	001.2	2
872.4.022.1A	044	8	88700.5665	001	15	88765.0968	001	1	88765.1126N	001.2	7	919.1.008.1A	019	19
872.4.023.1A	044	9	88700.5749	001	7	88765.1000	001	19	88765.1126P	001.2	10	930.1.004.1A	025	5
875.1.038.1A	035	16	88713.0120	001	18	88765.1005	001	19	88765.1126Q	001.2	5	930.1.005.1A	026	19
876.1.066.1A	033	16	88713.0123	001	12	88765.1006	001	19	88765.1126R	001.2	3	930.4.009.1A	004	23
876.1.067.1A	033	19	88713.0137	001	14	88765.1058	001	23	88765.1126S	001.2	22	930.5.005.1A	011	26
877.1.040.1A	023	29	88713.0143	001	6	88765.1068	001.1	13	88765.1126T	001.2	23	930.5.006.2A	011	28
877.1.050.1A	036	16	88713.0144	001	4	88765.1069	001.1	13	88765.1126U	001.2	20	93781.1824	035	2
877.1.055.1A	032	23	88713.0146	001	3	88765.1070	001.1	13	88765.1126V	001.2	8	93783.0812	003	30
877.1.068.1A	028	13	88713.0262	001	2	88765.1071	001.1	13	88765.1126Z	001.2	1	93783.1524	011	18
877.1.069.1A	027	15	88713.0710	001	22	88765.1072	001.1	13	893.1.003.1A	029	2	93783.2552	010	13
877.2.002.1A	033	7	88713.0748	001	10	88765.1073	001.2	21	893.1.005.1A	005	15	93784.2030	005	9
881.1.010.1C	012	18	88713.0869	001	8	88765.1074	001.2	21	893.4.005.1A	027	11	93785.0822	004	24
881.1.012.1A	002	32	88713.0870	001	9	88765.1075	001.2	21	893.4.005.1A	036	19	93785.1830	010	16

## INDEX

CODE No.	Drwg.	POS. N.	CODE No.	Drwg.	POS. N.	CODE No.	Drwg.	POS. N.	CODE No.	Drwg.	POS. N.	CODE No.	Drwg.	POS. N.
93823.0128	004	32												
93823.2018	004	30												
93823.2037	007	20												
93823.2056	011	42												
93823.2082	005	14												
93823.2087	007	17												
93823.2087	030	10												
93823.2131	011	22												
93823.3081	007	8												
93827.0114	005	12												
93827.0114	009	22												
93827.0114	010	25												
94247.0014	010	5												
94247.0014	011	12												
98112.0002	001	13												

*Spare parts catalogue SPORT TOURING 2 USA*

*DUCATIST*



<i>DUCATIMOTOR</i>	●	<i>DUCATIST2</i>	<i>M.Y. '00</i>	<i>U.S.A.</i>
<i>Spare Sparts Department</i>		<i>P.N. 91510461C</i>	<i>Novembre - November '99</i>	<i>Edizione - Edition 01</i>

<i>DUCATIMOTOR</i>	●	<i>DUCATIST2</i>	<i>M.Y. '00</i>	<i>U.S.A.</i>
<i>Spare Sparts Department</i>		<i>P.N. 91510461C</i>	<i>Novembre - November '99</i>	<i>Edizione - Edition 01</i>

<i>DUCATIMOTOR</i>	●	<i>DUCATIST2</i>	<i>M.Y. '00</i>	<i>U.S.A.</i>
<i>Spare Sparts Department</i>		<i>P.N. 91510461C</i>	<i>Novembre - November '99</i>	<i>Edizione - Edition 01</i>

<i>DUCATIMOTOR</i>	●	<i>DUCATIST2</i>	<i>M.Y. '00</i>	<i>U.S.A.</i>
<i>Spare Sparts Department</i>		<i>P.N. 91510461C</i>	<i>Novembre - November '99</i>	<i>Edizione - Edition 01</i>