

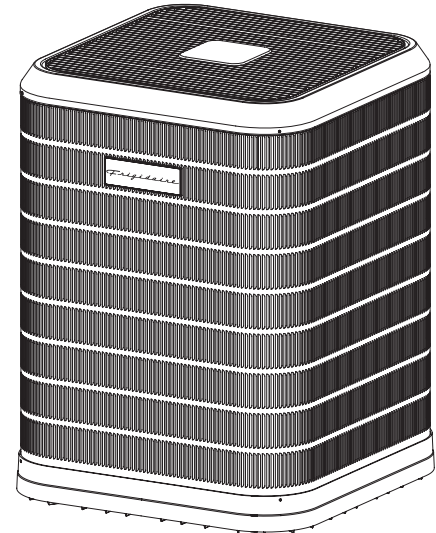


**FS4BI Series  
R-410A Ultra High Efficiency  
Air Conditioner  
23 SEER Residential System  
2-3-4 Ton Capacities**

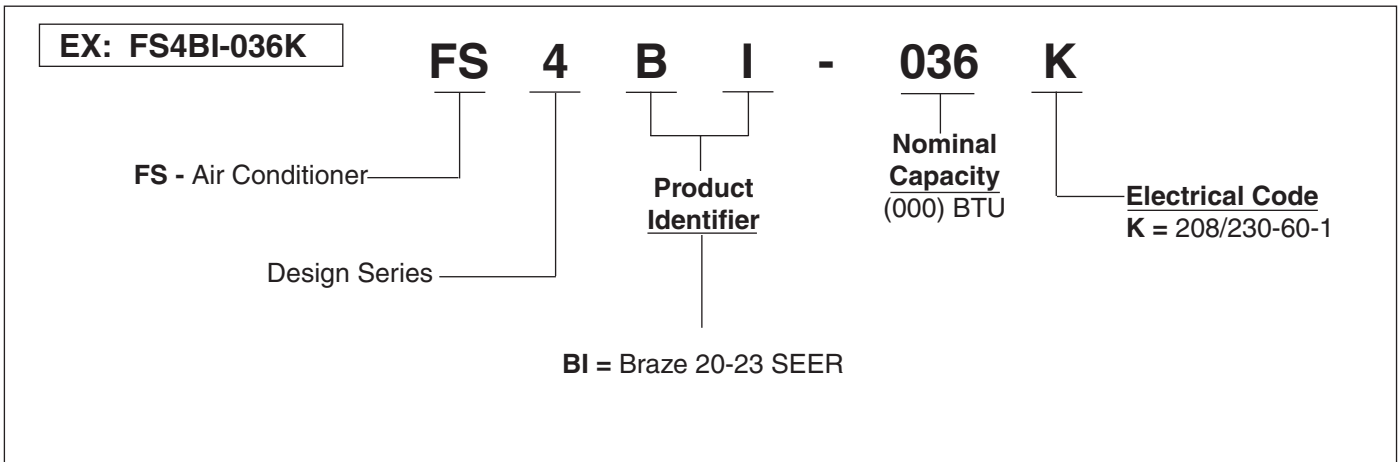
The iQ Drive™ Air Conditioning System features fully variable speed compressor technology and variable speed indoor and outdoor motors. The system provides variable cooling capacity as needed modulating over a 5 degree F° temperature range. It operates near the nominal rated capacity at the thermostat set point and modulates as temperature difference between set point and room temperature changes. The system may run at additional 18% capacity to provide rapid cooling. The system has a built-in humidity control that will activate humidifier equipment (if supplied), and reduces blower speed if indoor relative humidity is greater than set point (default set at 60%).

**FEATURES and BENEFITS**

- **Warranty**
  - This product offers a 10-year all-parts warranty.
  - This product offers a 10 year Quality Pledge to replace the entire unit, if the unit's major component (heat exchanger or compressor) fails within the first 10 years of operation, to the original owner. All split system products must be installed with a matched indoor air handler or indoor coil to qualify.
  - Consumer product registration required for both 10 year All Parts Warranty and Quality Pledge within a limited period of time after the installation. See current warranty document or visit our consumer web site listed on the back of this document for warranty details.
- **iQ Drive** – Inverter driven Panasonic rotary compressor which provides fully variable operation.
- **R-410A Refrigerant** – Earth friendly non-ozone depleting refrigerant.
- **Designed using galvanized steel** – with a polyester urethane coat finish. The 950 hour salt spray finish resists corrosion 50% better than comparable units.
- **Copper Tube / Aluminum Fin Coils** – Both indoor and outdoor coils are designed to optimize heat transfer, minimize size and cost, and increase durability and reliability.
- **Permanently Lubricated Motor** – A heavy duty brushless motor for long lasting reliability and quiet operation. Requires no maintenance and is completely protected from rain and snow.
- **Compressor Sound Blanket** – Engineered to significantly reduce unwanted compressor noise.
- **Swept-Wing Fan Blade** – Engineered to provide quiet operation. The specific energy absorbing hub is designed to reduce noise while operating through various frequencies.
- **Full Port Service Valves** – Full port brass ball valves provide low pressure drop and ease of service. The valves are actuated by 1/4 turn full open to full close.
- **Louvered Condenser Guard** – Durable metal guard protects the coil from yard hazards and extreme weather.
- **Removable Top Grille Assembly** – Allows ease of service from the top without disconnecting fan motor leads.
- **High Pressure Switch** – Protects against abnormally high system pressures. Auto-reset feature prevents nuisance service visits.
- **Low Pressure Switch** – Protects against loss of system refrigerant charge.
- **Liquid Line Filter Drier** – Included with unit, field installed.
- **One Piece Top/Orifice** – Designed for maximum airflow and quiet operation.
- **Easy Compressor and Control Access** – Designed to make servicing easier for the contractor, access panels are provided to all controls and the compressor from the side of the unit.
- **Highest Efficiency with the lowest Sound Levels** – Up to 23 SEER with sound ratings of 59-72dB depending upon operating conditions.



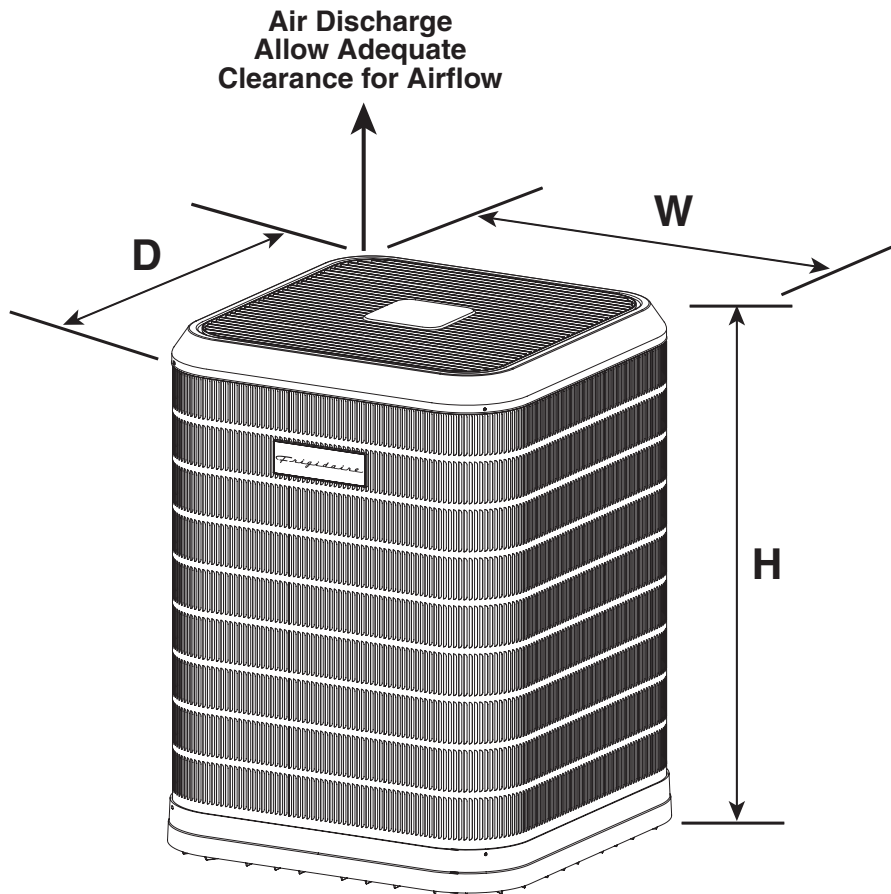
## MODEL IDENTIFICATION CODES



## DIMENSIONS

### AIR CONDITIONER OUTDOOR SECTION

FS4BI	024K	036K	048K
H	37	41	45
W	31 1/4	31 1/4	31 1/4
D	31 1/4	31 1/4	31 1/4



# PHYSICAL AND ELECTRICAL SPECIFICATIONS / OUTDOOR UNITS

## 23 SEER — Ultra High Efficiency — Single Phase

Model Number FS4BI-		024K	036K	048K	
Electrical Data	Volts-Cycles-Phase (1)	208/230-60-1	208/230-60-1	208/230-60-1	
	Total Amps	13.0	18.0	22.0	
	Delay Fuse Max. (2)	25	35	45	
	Min. Circuit Ampacity	16.6	22.9	27.1	
Condenser Data	Coil	Area(ft <sup>2</sup> )	20.3	22.8	25.4
		Rows-FPI	1 - 22	1 - 22	1 - 22
		Tube Dia	3/8" O.D.	3/8" O.D.	3/8" O.D.
	Fan Motor	Type	Brushless DC	Brushless DC	Brushless DC
		Amps	1.6	1.6	1.6
		HP	0.5	0.5	0.5
	Fan Blade	Dia-# Blades	24" - 2	24" - 2	24" - 2
		SCFM	3200	3400	3600
Compressor Data	RLA	11.4	16.4	20.4	
Refrigerant suction line O.D. (all length of liquid line are 3/8" O.D.)		0-24 ft.	3/4"	7/8"	7/8"
		25-39 ft.	3/4"	7/8"	1 1/8" (3)
		40-75 ft.	7/8" (3)	1 1/8" (3)	1 1/8" (3)
Refrigerant charge (R-410A) in ounces for outdoor unit, indoor unit and 15' lineset.		160	168	188	
Weight	Net	170	175	180	
Approximate (lbs.)	Ship	180	185	190	

(1) Operating Voltage Range: 187v min. — 253v max.

(2) HACR Type Circuit Breakers may be used.

(3) Requires Reducers.

### Note:

**Refrigerant Tubing Limitations**-The compressor manufacturer imposes a maximum equivalent line set length of 100ft. Furthermore, vertical elevation shall not exceed 50 ft.

## ACCESSORIES

### Controller/Thermostat

Sku 919348

(Required to operate the IQ Drive System)

COPPER WIRE SIZE — AWG (1% Voltage Drop)				
Supply Wire Length-Feet				Supply Circuit Ampacity
200	150	100	50	
6	8	10	14	15
4	6	8	12	20
4	6	8	10	25
4	4	6	10	30
3	4	6	8	35
3	4	6	8	40
2	3	4	6	45
2	3	4	6	50

Wire Size based on N.E.C. for 60° type copper conductors.

# SYSTEM COOLING CAPACITIES

## 23 SEER — Ultra High Efficiency — Single Phase

Outdoor Unit Model Number FS4BI-	Indoor Unit	Range Cooling Capacity @95° OD BTUH	SEER	Nominal Capacity	EER @ Nominal Capacity	Range SCFM
024K	C5BH-E36C-B*	10,000 - 28,000	23	24,000	15.0	500 - 950
036K	C5BH-E36C-B*	15,000 - 40,000	21	35,000	14.0	680 - 1110
048K	C5BH-E48C-C*	16,000 - 54,000	21	47,000	12.6	680 - 1455

\*Blower Conversion Kit 904492 is required.

Outdoor Unit Model Number FS4BI-	Indoor Unit	Range Cooling Capacity @95° OD BTUH	SEER	Nominal Capacity	EER @ Nominal Capacity	Range SCFM
024K	B5VM-E36K-B	10,000 - 28,000	23	24,000	15.0	500 - 950
036K	B5VM-E36K-B	15,000 - 40,000	21	35,000	14.0	680 - 1110
048K	B5VM-E48K-C	16,000 - 54,000	21	47,000	12.6	680 - 1455

See current ARI Directory for certified combinations and ratings.

### Higher Ambient Performance Matrix

		Outdoor Dry-bulb Temperature								
		95F°			105F°			115F°		
Ton	CFM at Nominal Capacity	Total Capacity (Btu/h)	Sensible Capacity (Btu/h)	EER	Total Capacity (Btu/h)	Sensible Capacity (Btu/h)	EER	Total Capacity (Btu/h)	Sensible Capacity (Btu/h)	EER
2	800	24,000	18,000	15.0	21,900	15,800	12.0	20,500	14,800	10.0
3	900	35,000	24,200	14.0	32,800	22,400	11.4	30,700	21,400	9.6
4	1500	47,000	34,400	12.6	44,000	33,100	11.0	41,400	31,600	9.4

#### Notes:

Each system was operated at its nominal capacity.

Indoor conditions were 80F° dry-bulb temperature and 67F° wet-bulb temperature (approx. 51% relative humidity).



www.frigidaire.net

287C-0807 (Replaces 287C-0707)  
Trademark Frigidaire used under license.

O'Fallon, MO

Before purchasing this appliance, read important energy cost and efficiency information available from your retailer. Specifications and illustrations subject to change without notice and without incurring obligations.  
Printed in U.S.A. (08/07)