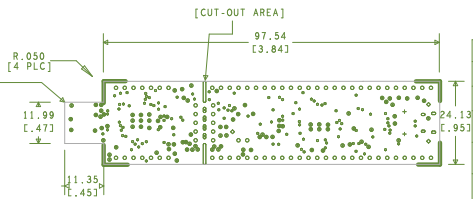


REVISIONS			
REV	DESCRIPTION	DATE	APPROVED
1	ALPHA RELEASE	01/24/15	SHIB
2	BETA RELEASE	01/28/15	SHIB
3	BETA RELEASE	01/31/15	SHIB
4	PRODUCTION RELEASE	03/11/15	SHIB
5	PRODUCTION RELEASE	03/17/15	SHIB

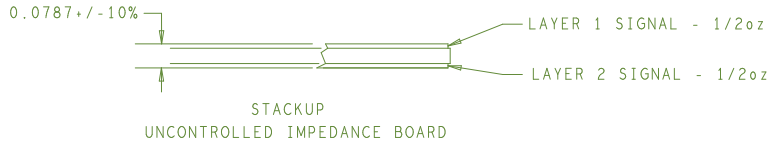
Note: *Edge Beveling and Chamfering at 45 degree for the USB Finger edge connector*



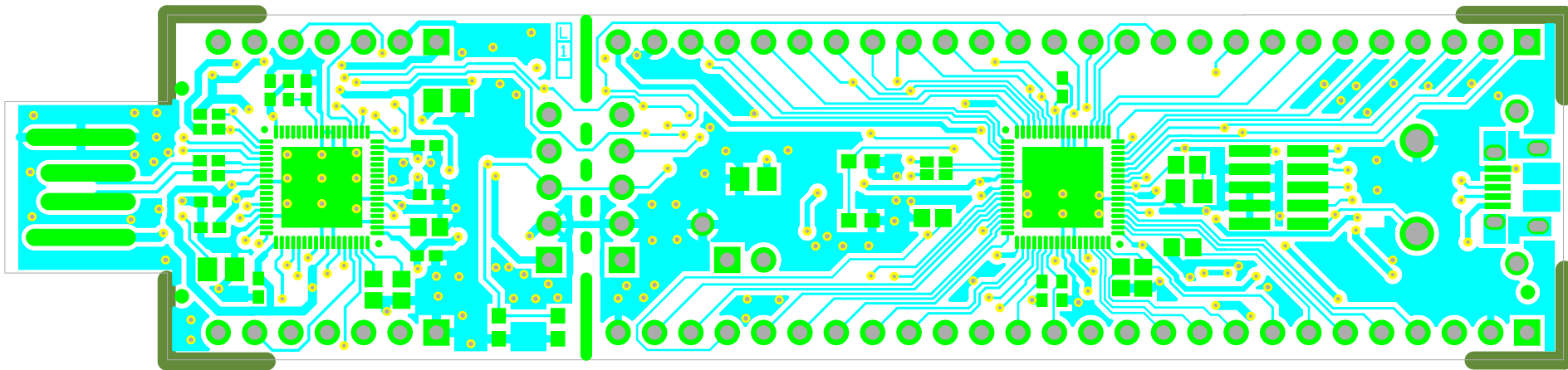
DRILL CHART: 600-60243				
ALL UNITS ARE IN MILS				
FIGURE	SIZE	TOLERANCE	PLATED	QTY
*	10.0	+0.0/-0.0	PLATED	118
*	13.0	+3.0/-3.0	PLATED	102
o	40.0	+3.0/-3.0	PLATED	78
o	43.0	+3.0/-3.0	PLATED	3
+	63.0	+0.0/-0.0	PLATED	2
o	41.3x25.6	+3.0/-3.0	PLATED	2
o	47.2x27.6	+3.0/-3.0	PLATED	2
*	60.0x30.0	+3.0/-3.0	NON-PLATED	4
	240.0x30.0	+3.0/-3.0	NON-PLATED	2

NOTES: (UNLESS OTHERWISE SPECIFIED)

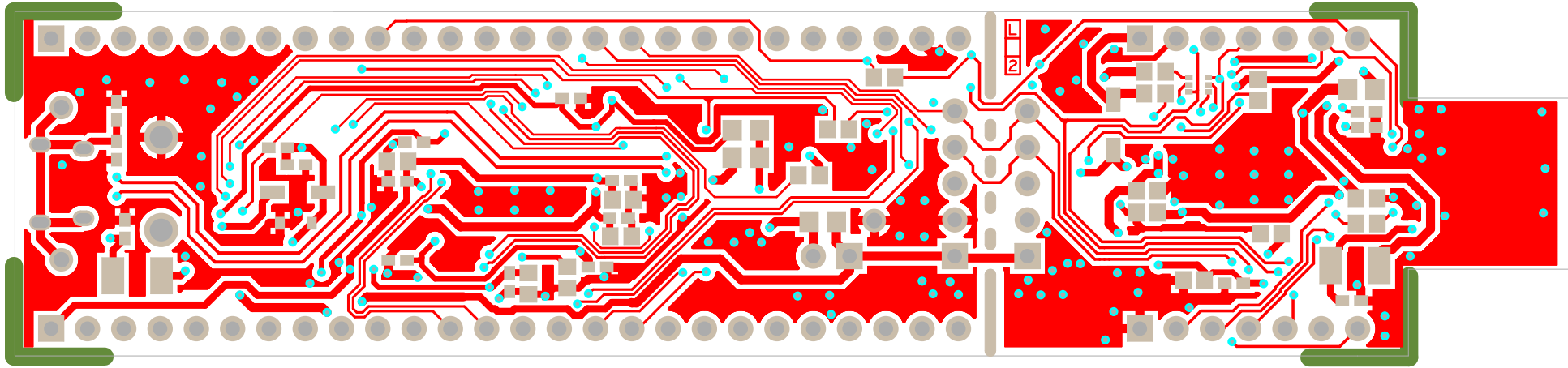
- RoHS COMPLIANT CERTIFICATION OR MATERIAL DECLARATION REQUIRED.
- MATERIAL:
 - IS410 OR EQUIVALENT. MATERIAL MUST CONFORM TO UL94V-0.
 - USE HTE COPPER, AS SPECIFIED IN THE CROSS SECTION DIAGRAM.
 - OVERALL METAL TO METAL THICKNESS AS SPECIFIED IN THE CROSS SECTION.
- DRILLING:
 - DIAMETERS IN DRILL TABLE ARE FINISHED HOLE SIZES +/- .003 tol. UNLESS OTHERWISE SPECIFIED IN DRILL TABLE.
 - TEARDROP ALLOWED ON ENTRY OF VIA ON EVERY TRACE LAYER.
- PLATING:
 - COPPER PLATING IN THRU-HOLES .001 min.
- MARKING:
 - SILKSCREEN IN WHITE NON-CONDUCTIVE EPOXY INK ON PRIMARY SIDE OF THE BOARD OR BOTH SIDES IF APPLICABLE.
 - FABRICATOR TO PLACE DATE CODE, LOGO AND RoHS COMPLIANT SYMBOL IN SILKSCREEN ON SECONDARY SIDE.
- FINAL FABRICATION:
 - SOLDRMASK PRIMARY AND SECONDARY SIDE OF BOARD USING LIQUID PHOTOIMAGABLE MASK MATERIAL OVER BARE COPPER. PER IPC-SM-840. MASK ARTWORKS PROVIDED ARE 1:1. SOLDRMASK COLOR **BLACK*
- FINISH:
 - SHALL BE ELECTROLESS NIKEL / IMMERSION GOLD (ENIG).
 - NICKEL THICKNESS: 100-200 MICROINCHES.
 - GOLD THICKNESS: 3-10 MICROINCHES.
- BOARDS SHALL BE PURCHASED FROM UL RECOGNIZED VENDORS ONLY. FLAMABILITY RATING (94-V0).
- MANUFACTURE BOARD TO BE IN ACCORDANCE WITH PERFORMANCE STANDARD IPC-6011/6012 CLASS 2 BOARD TO BE INSPECTED PER IPC-600-A CLASS 2.
- MAXIMUM WRAP OR TWIST SHALL NOT EXCEED .007 in/in.
- TESTING:
 - FABRICATOR TO ADD TEST STRUCTURES OR CUPONS AS NEEDED.
 - T-LINE IMPEDENCE TO BE TESTED OR GUARANTEE WITHIN 10% IF SPECIFIED IN THE CROSS SECTION. TOLERANCE TO BE +/-10% UNLESS OTHERWISE SPECIFIED.



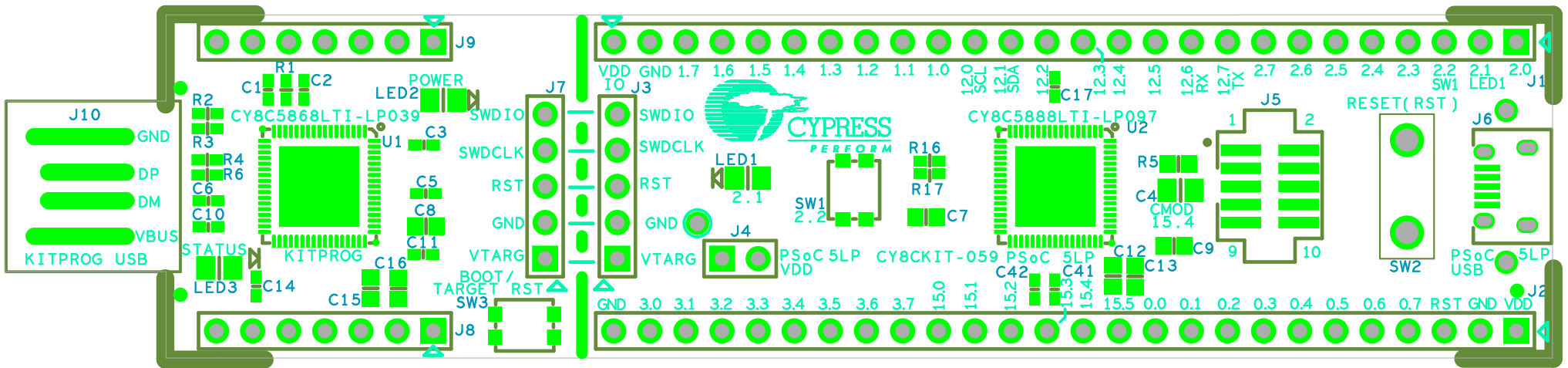
UNLESS OTHERWISE SPECIFIED	SIGNATURES	DATE	 198 CHAMPION COURT SAN JOSE, CA 95134 (408) 943-2600
DIMENSIONS ARE IN INCHES	DRAWN PRAO	03/17/15	
TOLERANCES ON: ANGLES +/- 2°	CHECKED SHIB	03/17/15	
2 PL DECIMALS +/- .010	ENGRG SHIB	03/17/15	
3 PL DECIMALS +/- .005	ISSUED		
THIRD ANGLE PROJECTIONS			
CYPRESS PROPRIETARY			
THIS DOCUMENT CONTAINS CONFIDENTIAL, PROPRIETARY INFORMATION THAT IS CYPRESS SEMICONDUCTOR PROPERTY. DO NOT DISCLOSE TO OR DUPLICATE FOR OTHERS EXCEPT AS AUTHORIZED BY CYPRESS.			
SIZE C	FSCM NO	DWG NO 610-60235-01	REV 05
SCALE: 1/1		SHEET: 1 OF 2	



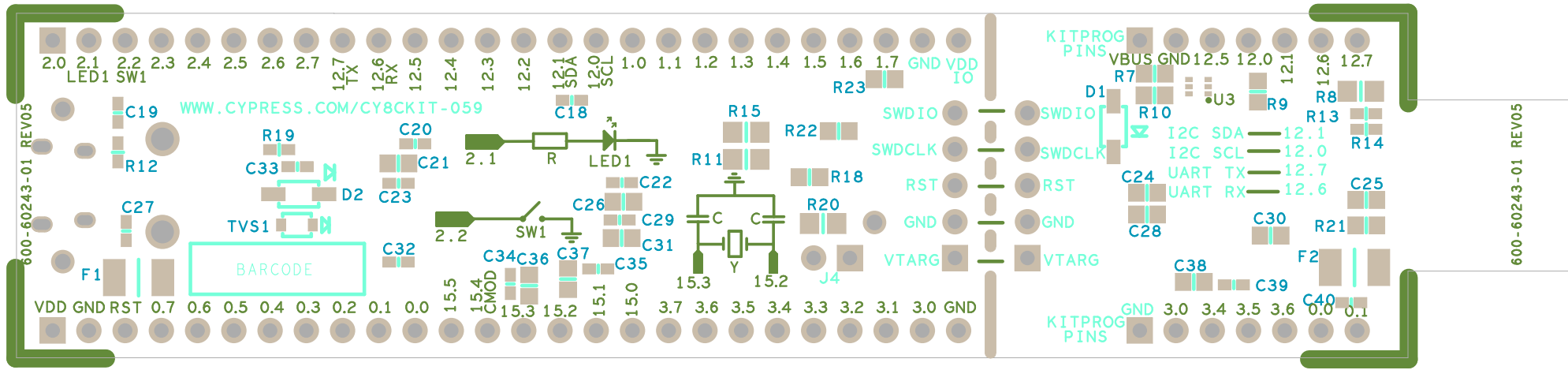
600-60243-01 REV05 PRIMARY SIDE



600-60243-01 REV05 SECONDARY SIDE



600-60243-01 REV05 PRIMARY SILKSCREEN



600-60243-01 REV05 SECONDARY SILKSCREEN