

News - I

- Problem Sets

- Deadline is Fridays, 4PM

dead·line   [Pronunciation Key](#) (dēd' līn')
n.

www.dictionary.com

1. A time limit, as for payment of a debt or completion of an assignment.
2. A boundary line in a prison that prisoners can cross only at the risk of being shot.

- Late psets will not be graded
- Worst pset (1) will be dropped from average
- Pset 2: Due Fri, 2/18, 4PM

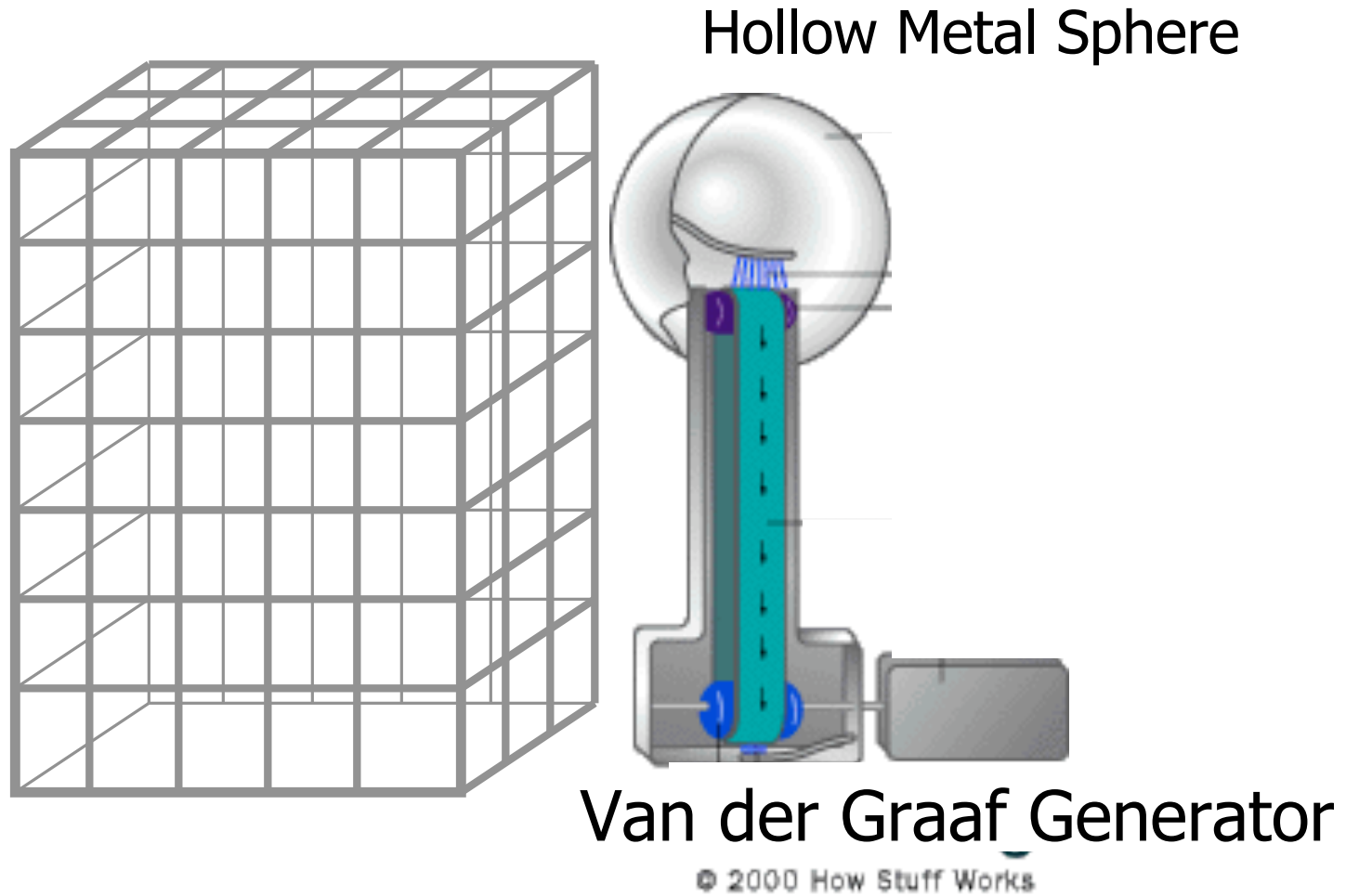
News - II

- **Mastering Physics**
 - Next assignment due 2/16, 11PM
- **Lab**
 - LVPS due Fri, 2/18
 - 2 Bonus points today, 1 on Tuesday
 - No partner? See me after lecture

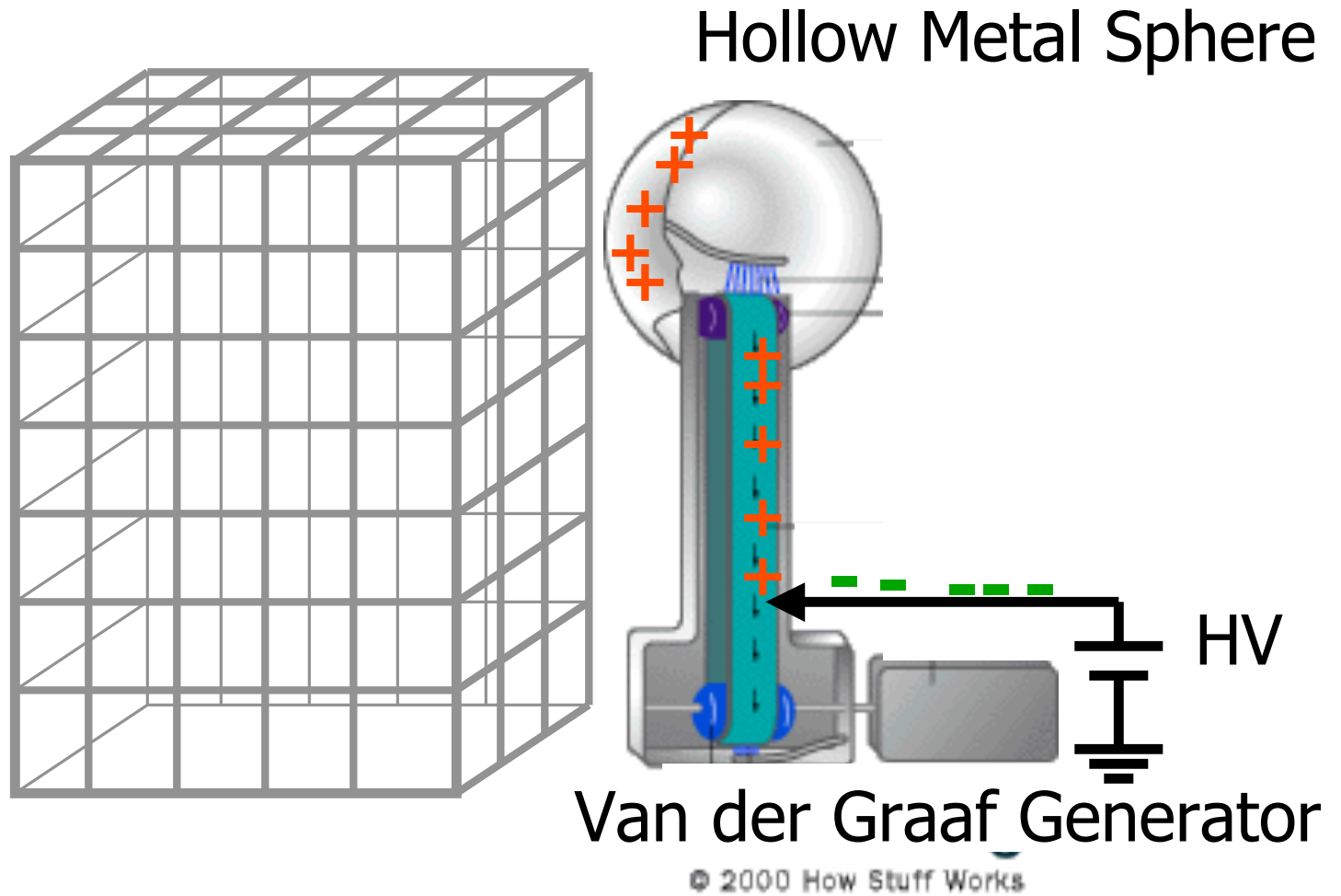
News - III

- Quiz # 1
 - Tuesday, 2/22, 10-11AM, 26-100
 - Review in class, 2/18
 - Evening review, 2/18, 7PM
 - Practice quizzes will be posted tomorrow evening
- Tutoring
 - [kaikai @ mit.edu](mailto:kaikai@mit.edu)
 - TR 11-1 or by appointment
 - Let me know if there are scheduling problems

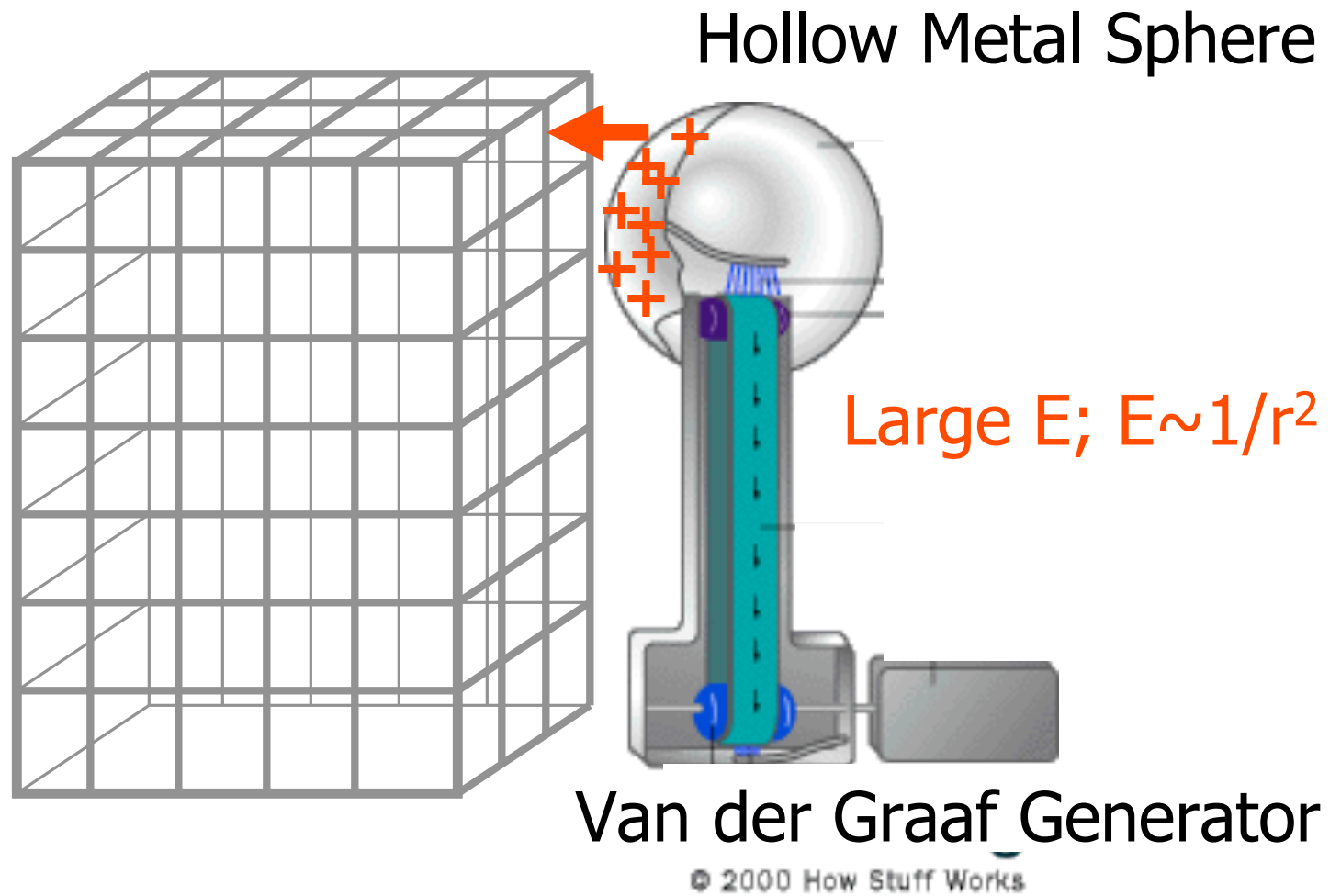
Faraday Cage



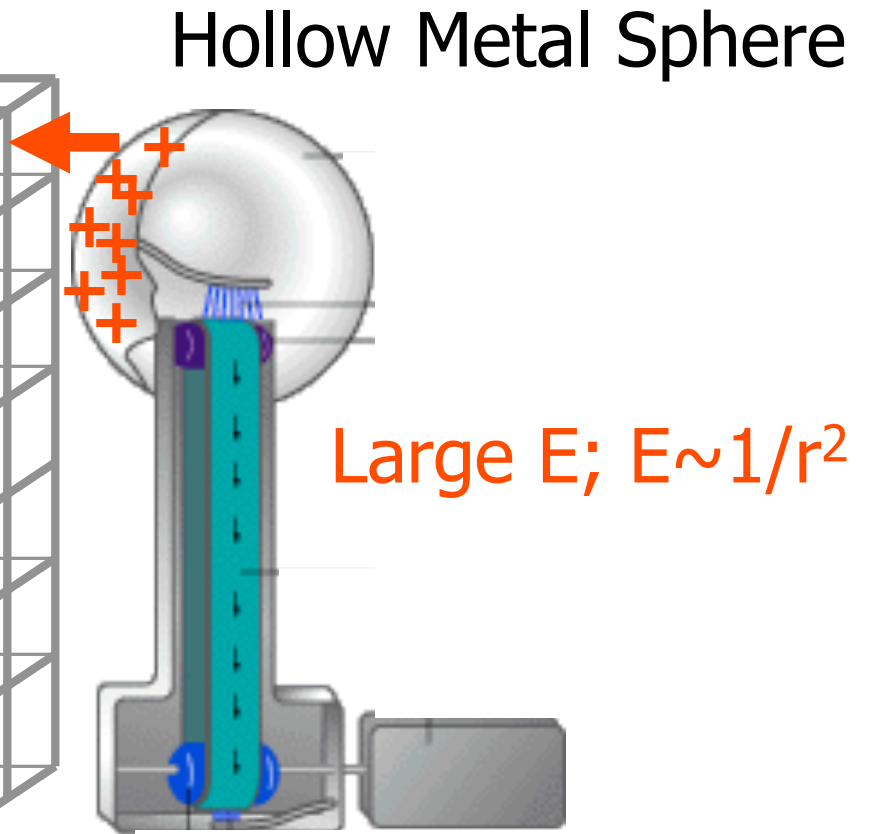
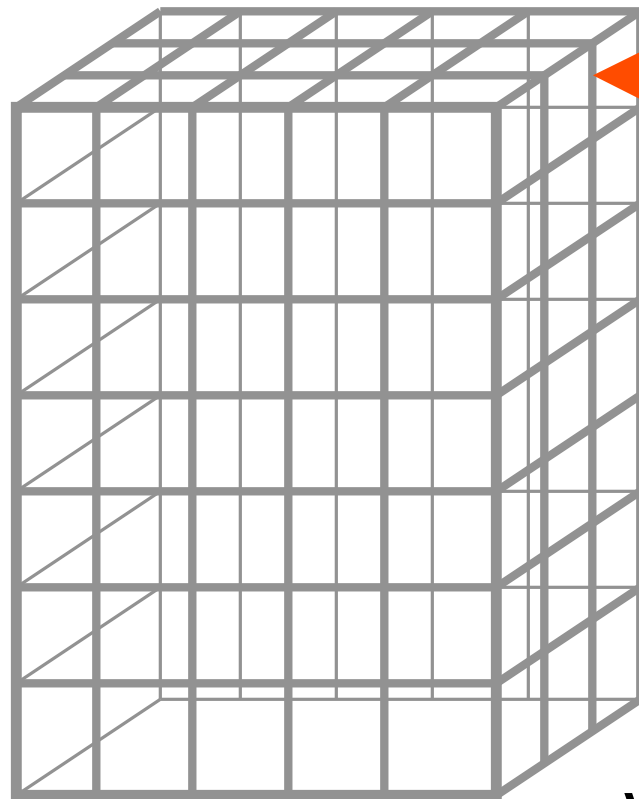
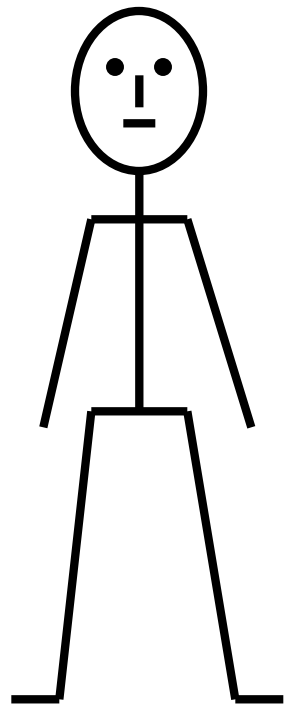
Faraday Cage



Faraday Cage



Faraday Cage



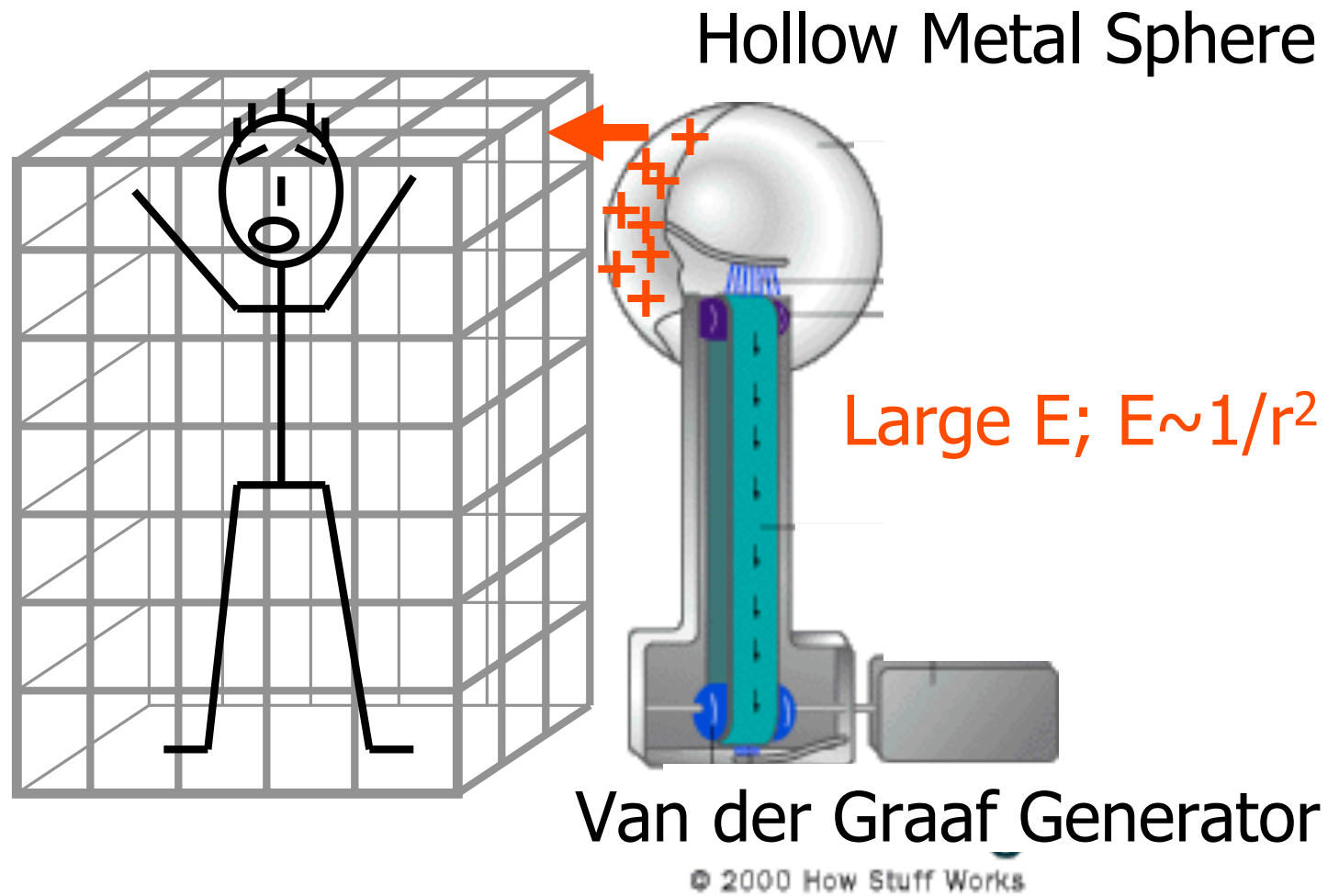
Hollow Metal Sphere

Large E ; $E \sim 1/r^2$

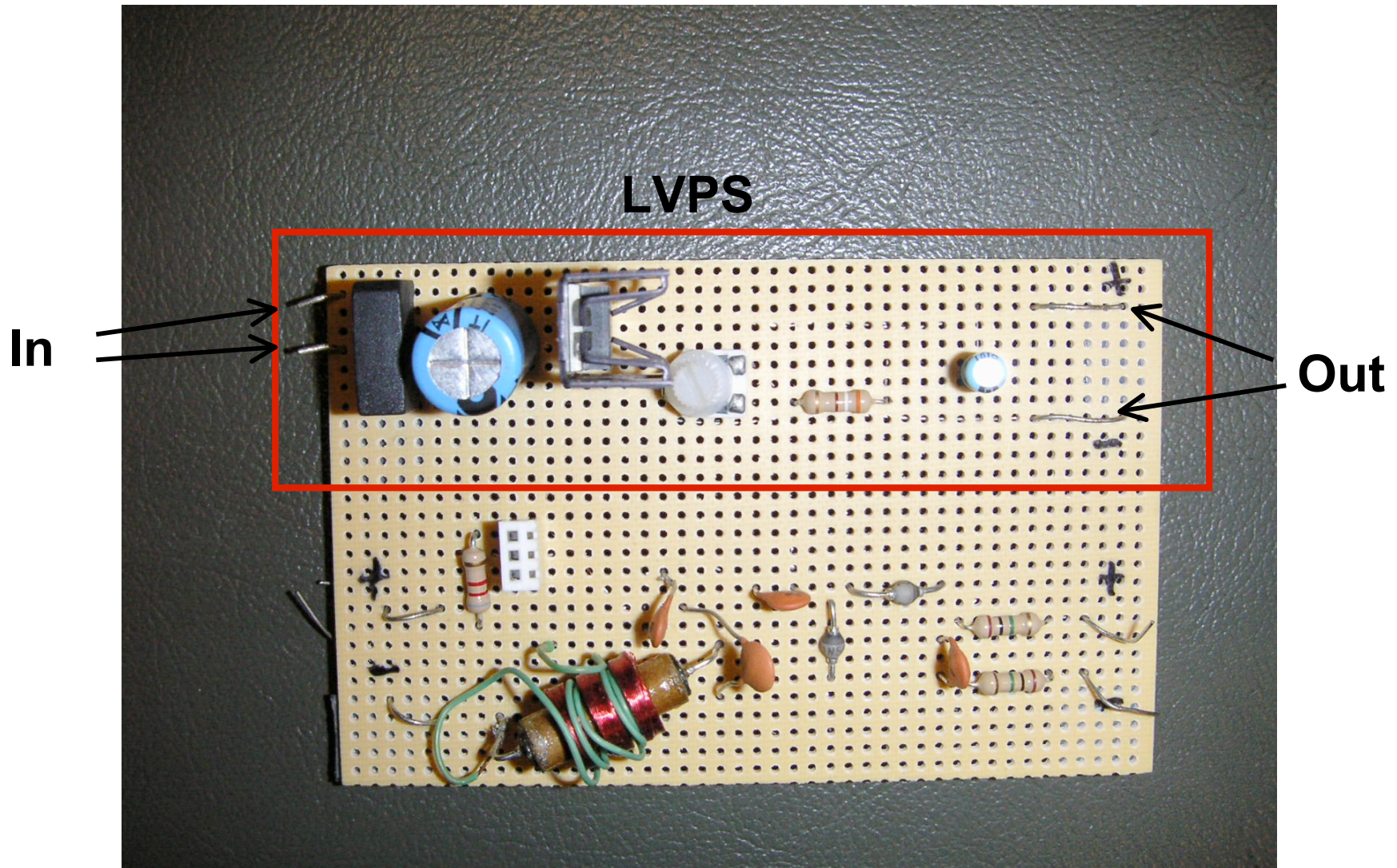
Van der Graaf Generator

© 2000 How Stuff Works

Faraday Cage



LVPS, top view

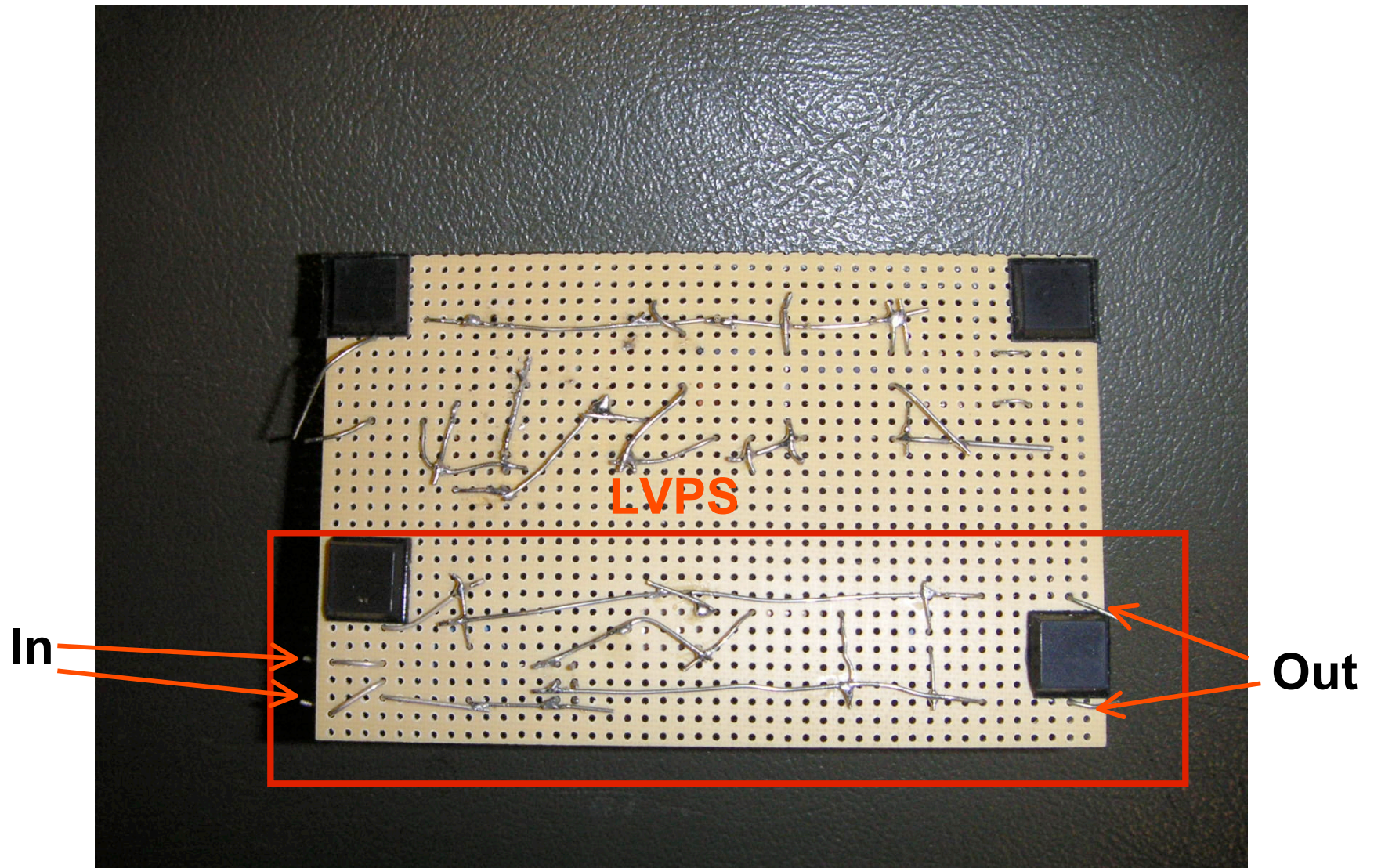


Feb 14 2005

web.mit.edu/8.02x/www

Holiday: Fundamentals of Physics

LVPS, bottom view



Feb 14 2005

web.mit.edu/8.02x/www

Holiday: Fundamentals of Physics