

Massachusetts Institute of Technology

Spring Term 2005

8.02X Electricity and Magnetism

Practice-Quiz #4b

Solutions

Problem 1 (25 points)

In the HVPS experiment, you built a "transformer" by winding 6 loops of wire around a tightly wound red coil.

- (a) Which side of the transformer was the primary side in this setup?

The 6 loops

- (b) Assume that in your setup the inner (red) coil had length L_1 , number of windings N_1 and radius R_1 . The outer coil (wire loops) had length L_2 , number of windings N_2 and radius R_2 . Derive an expression for the mutual inductance of the two coils. Show work!

- (c) Based on the known output voltages of LVPS and HVPS, estimate (within a factor of 2) a numerical value for the number of windings of the red coil (ignore the different length for primary and secondary coil).

- (d) Assume a current $I_2(t) = I_0 \cdot \cos(\omega t)$ was flowing through the outer coil. What would the voltage across the red coil $\Delta V_1(t)$ be?

$$\begin{aligned}
 \text{b) } \text{EMF}_{\text{coil}} &= -M \frac{dI_1}{dt} \\
 &= -N_2 \cdot \pi R_1^2 \cdot \frac{dB_1}{dt} = -N_2 \cdot \pi R_1^2 \cdot \frac{N_1}{L_1} \cdot \mu_0 \cdot \frac{dI}{dt} \\
 &\quad \underbrace{\hspace{10em}}_{\frac{d\Phi_{B_2}}{dt}} \quad \underbrace{\hspace{10em}}_{\underline{\underline{M}}}
 \end{aligned}$$

$$\begin{aligned}
 \text{c) } V_{\text{LVPS}} &\approx 10\text{V} \\
 V_{\text{HVPS}} &\approx 1000\text{V} \\
 \frac{V_{\text{LVPS}}}{V_{\text{HVPS}}} &= \frac{N_{\text{LVPS}}}{N_{\text{HVPS}}} \Rightarrow N_{\text{HVPS}} \approx 6000
 \end{aligned}$$

$$d) \quad V_1(t) = -M \frac{dI_2}{dt} \quad ; \quad I(t) = I_0 \cdot \cos(\omega t)$$

$$= -M \cdot (-I_0 \cdot \omega \cdot \sin(\omega t))$$

$$= M \cdot I_0 \cdot \omega \sin(\omega t)$$

$$\text{with } M = -N_2 \cdot \pi R_1^2 \cdot \frac{N_1}{L_1} \cdot \mu_0$$

Problem 2 (25 points)

Shown below is a circuit that is connected to a DC power supply with an output voltage V_0 . For times $t < 0$, the switch is in position 1 and a current is flowing through the inductor (inductance L), the resistor (resistance R) and the power supply. Assume the switch has been closed for a very long time and the resistance of the inductor is negligible. Assume also that for $t < 0$, the capacitor (Capacity C) is discharged ($Q=0$).

At $t=0$, the switch is moved to position 2 and the power supply and resistor are therefore removed from the circuit.

- (a) At $t=0$, what is the total energy stored in the circuit formed by capacitor and inductor?

$$U = \frac{1}{2} L I^2 + \frac{1}{2} \frac{Q^2}{C} = \frac{1}{2} L \left(\frac{V_0}{R} \right)^2$$

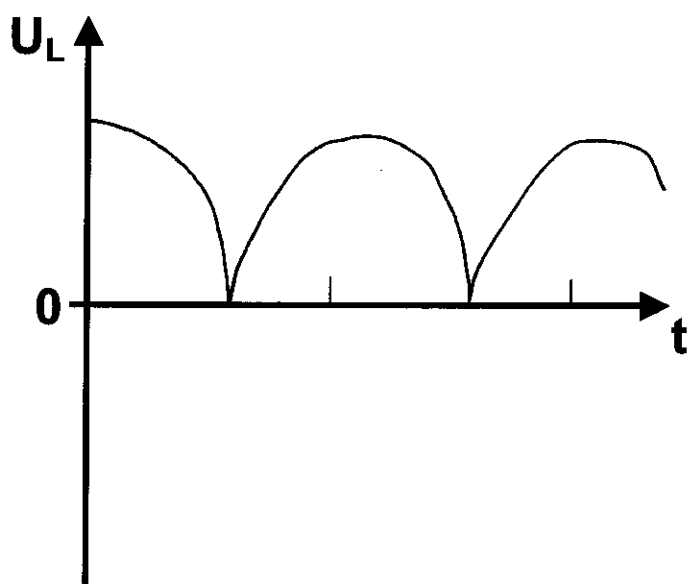
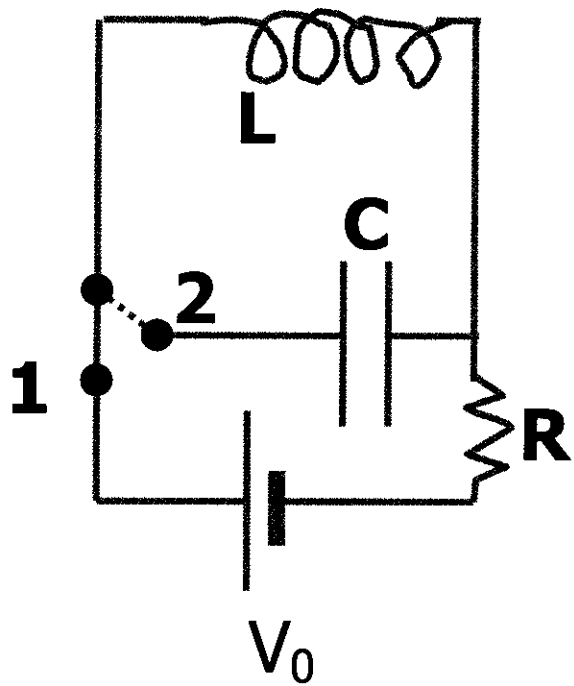
- (b) Give an example (sketch) of a mechanical system that corresponds to the circuit formed by the inductor and capacitor (after $t=0$). Identify which elements in the mechanical system correspond to which circuit elements.

Mass on a spring : Inertia : Mass \leftrightarrow Inductor
Restoring Force : Spring \leftrightarrow Capacitor

- (c) How will the charge $Q(t)$ on the capacitor vary with time? Give an equation in terms of the quantities defined above.

$$Q(t) = Q_0 \cdot \sin(\omega t) \text{ with } \omega = \sqrt{\frac{1}{LC}} \text{ and } Q_0 = \sqrt{LC} \cdot I$$

- (d) On the graph below, sketch how the energy in the inductor varies with time after $t=0$.



Problem 3 (25 points)

Consider a plane wave with an amplitude that is described by the following equations:

$$A_x = 0$$

$$A_y = 0$$

$$A_z = A_0 \cos(\omega t - (2\pi/3\text{m}) x)$$

- (a) Which direction is the wave traveling in?
- (b) How big is the wave length of the wave?
- (c) Could these equations describe a sound wave? Explain your answer.
- (d) If the wave was electromagnetic, what would the frequency f be?

a) $+x$ direction

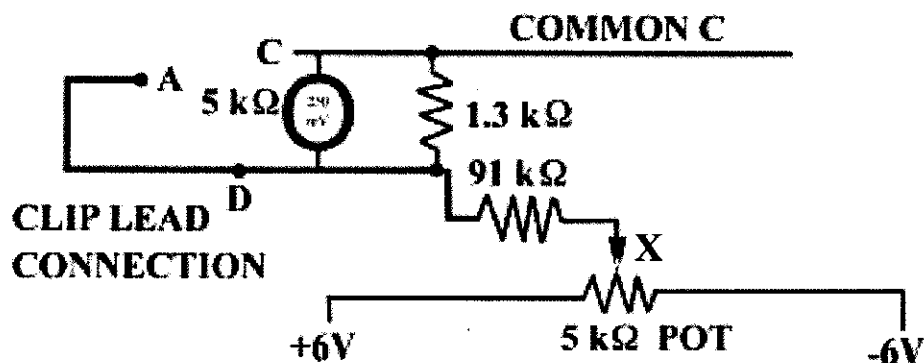
b) $\lambda = 3\text{m}$

c) No. A is \perp to \vec{v} \rightarrow transverse wave

d) $\lambda \cdot f = 3 \cdot 10^8 \frac{\text{m}}{\text{s}} \Rightarrow f = 10^8 \text{Hz}$

Problem 4 (25 points) AMP experiment

- (a) What is the purpose of the AMP experiment? (1-2 sentences)
- (b) How did you calibrate the AMP setup? What does the calibration curve tell you? (2-3 sentences)
- (c) Shown below is a calibration circuit like that on the AMP experiment. All voltages are measured relative to the common line C, which is defined as 0V. What is the voltage at point X when the slider of the potentiometer is 1/2 way between the extreme positions?
- (d) What are the maximum and minimum voltages at point D relative to C, when the slider is moved from one extreme position to the other?

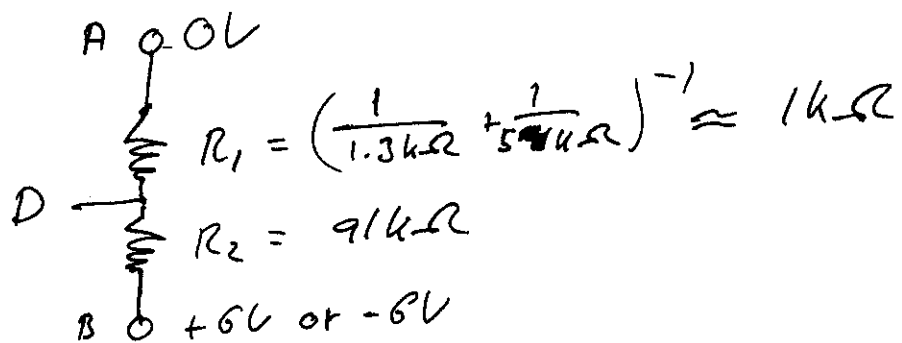


a) Purpose: To "amplify" the input voltage,
i.e. create an output signal that is proportional
to the input, but larger a factor "g", the gain.

b) First shorted the input and zeroed the
output using 100 k Ω pot, with MMM on
the 250 mV setting. Then connected calibration
output ~~AD~~ to Input A. Vary input voltage
from -67 mV to 67 mV and record output
voltage as a function of input voltage.

c) By symmetry $V(x) = 0$

d) Equivalent diagram



$$V_D = \frac{R_1}{R_1 + R_2} \cdot V_{AB} = \frac{1}{92} \cdot 6V \text{ (slider left)}$$

$$= -\frac{1}{92} \cdot 6V \text{ (slider right)}$$