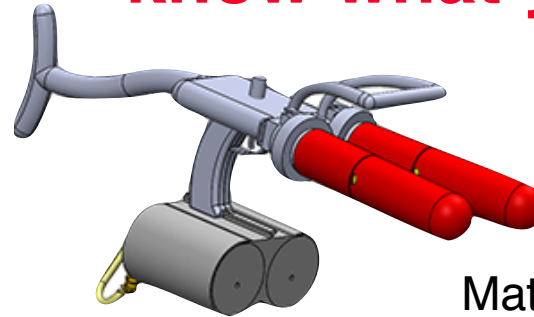
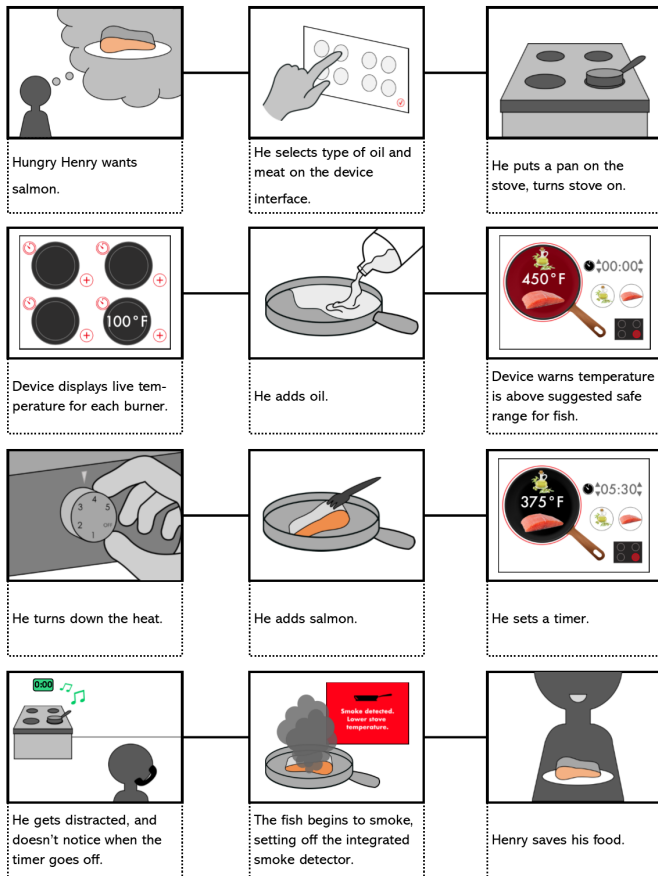


please email your presentation slides to drwallace

there's no point in being exact about something if you don't know what you're talking about

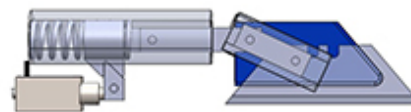


John von Neumann
1903-1957
Mathematician, Manhattan project

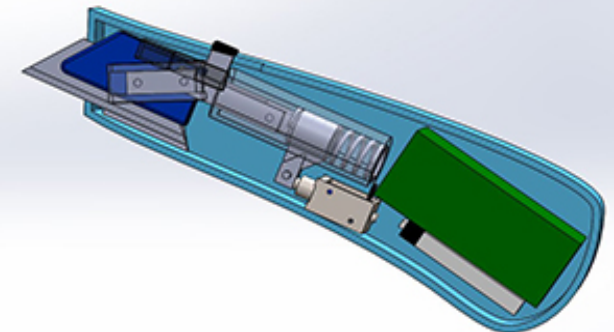
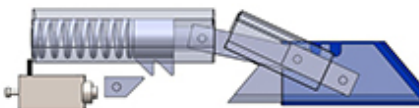
2.009 Product engineering processes
the devil is in the details



Loaded



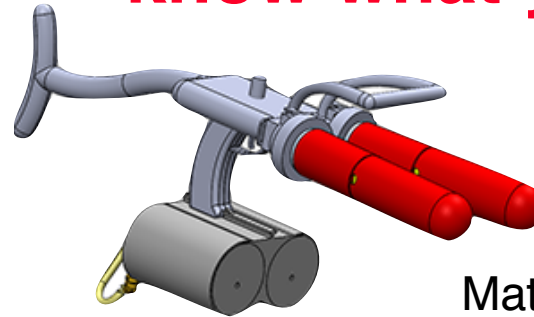
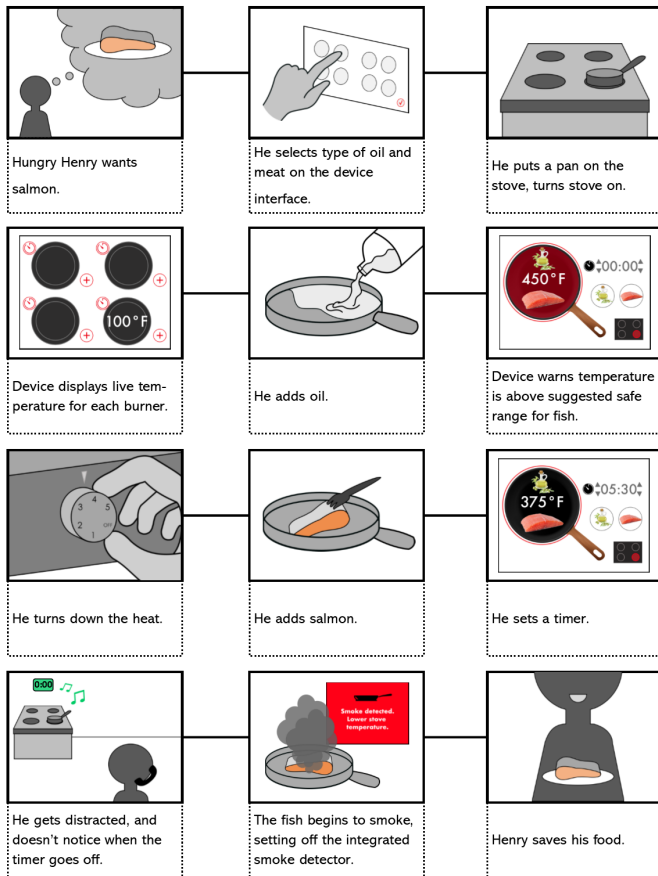
Retracted





please email your presentation slides to drwallace

there's no point in being exact about something if you don't know what you're talking about

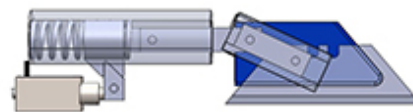


John von Neumann
1903-1957
Mathematician, Manhattan project

2.009 Product engineering processes
the devil is in the details



Loaded



Retracted

