

Minesweeper



Rod Bayliss III and Brandon John

Medium ▾



40



000



Medium ▾



40



005



1		1							
1		1	2						
1	1		1	2	4				
	2	1			1	2			
		1				1	1	3	
1	1	1						2	
1								1	
2	1				1	1	2	1	
	2	1			2				
		1			2				
		1			1				
		2	2	2	1				

Medium ▾

20

071



1	1	1	1	1						
1	1	1	1	2						
1	2	1	1	1	2	4				
2	2	2	1			1	2			
1	2	2	1				1	1	3	
		1	1	1					2	
1	1	1							1	
1	2	1					1	1	2	1
1	2	2	2	1			2	3		
	1	2		1			2	4	2	
		1	1	1			1	1	2	
			1	2	2	2	1	1	2	
1	2	1	3	2	2	2	1	1		
2	2	3	3	2	1	1	1			

Medium ▾



0

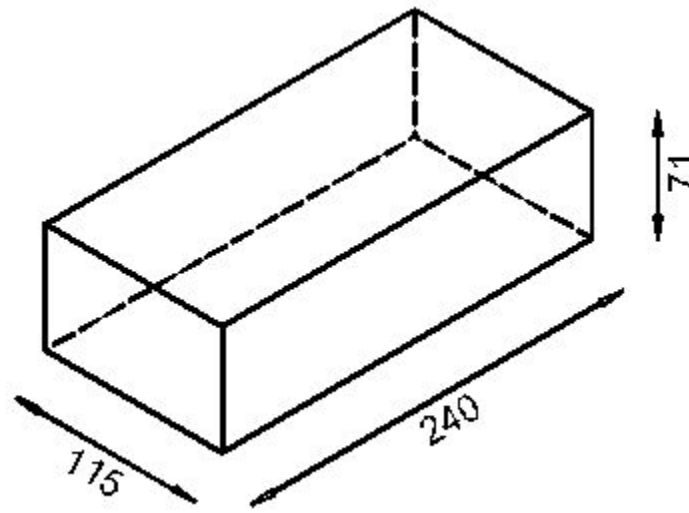


187

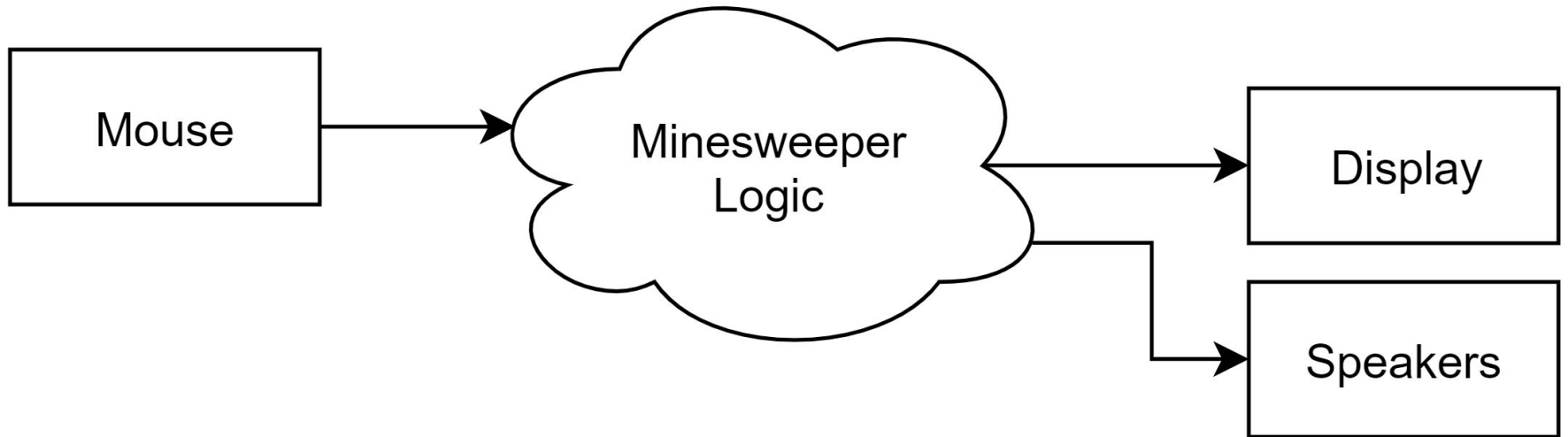


1	🚩	1		1	🚩		3	2	1	1	3	🚩	3	1			
1	1	1		1	2	🚩	🚩	🚩	2	1	🚩	🚩	🚩	1		1	1
1	2	1	1		1	2	4	🚩	3	2	2	3	2	1		2	🚩
🚩	2	🚩	2	1			1	2	🚩	2	1	1		1	1	3	🚩
1	2	2	🚩	1				1	1	3	🚩	2	1	2	🚩	2	1
		1	1	1						2	🚩	2	1	🚩	2	1	
1	1	1								1	1	1	1	1	1	1	1
1	🚩	2	1				1	1	2	1	1					1	🚩
1	2	🚩	2	1			2	🚩	3	🚩	1					2	2
	1	2	🚩	1			2	🚩	4	2	2	1	1	1		1	🚩
		1	1	1			1	1	2	🚩	2	2	🚩	1		1	1
			1	2	2	2	1	1	2	2	3	🚩	2	1			
1	2	1	3	🚩	🚩	2	🚩	1	1	🚩	2	2	2	1		1	1
🚩	2	🚩	3	🚩	3	2	1	1	1	1	1	1	🚩	1		1	🚩

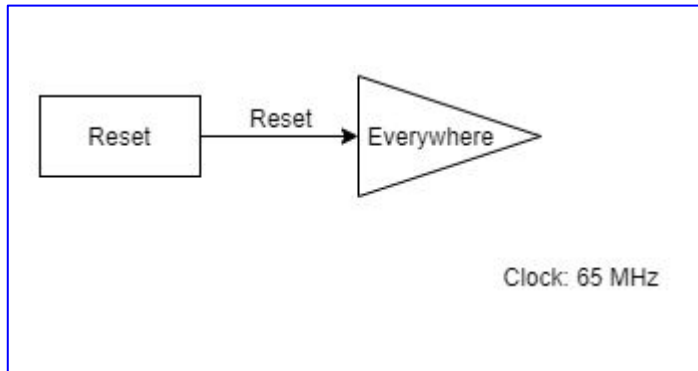
Block Diagram

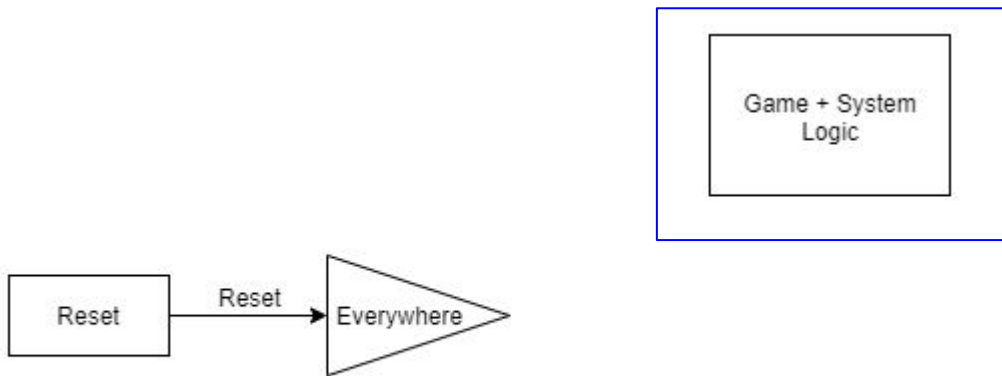


Block Diagram

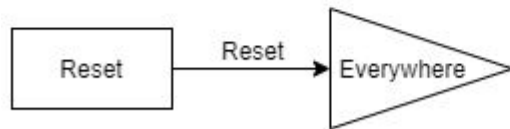
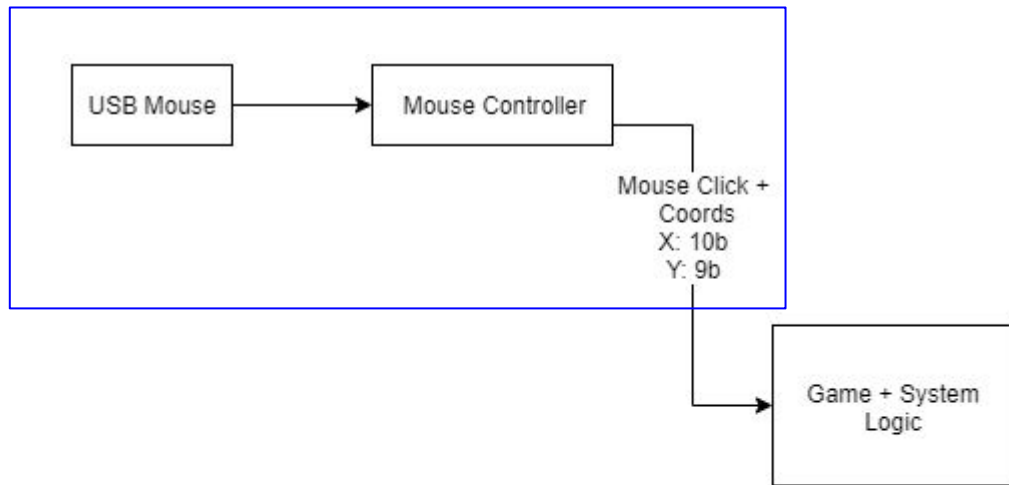


Block Diagram

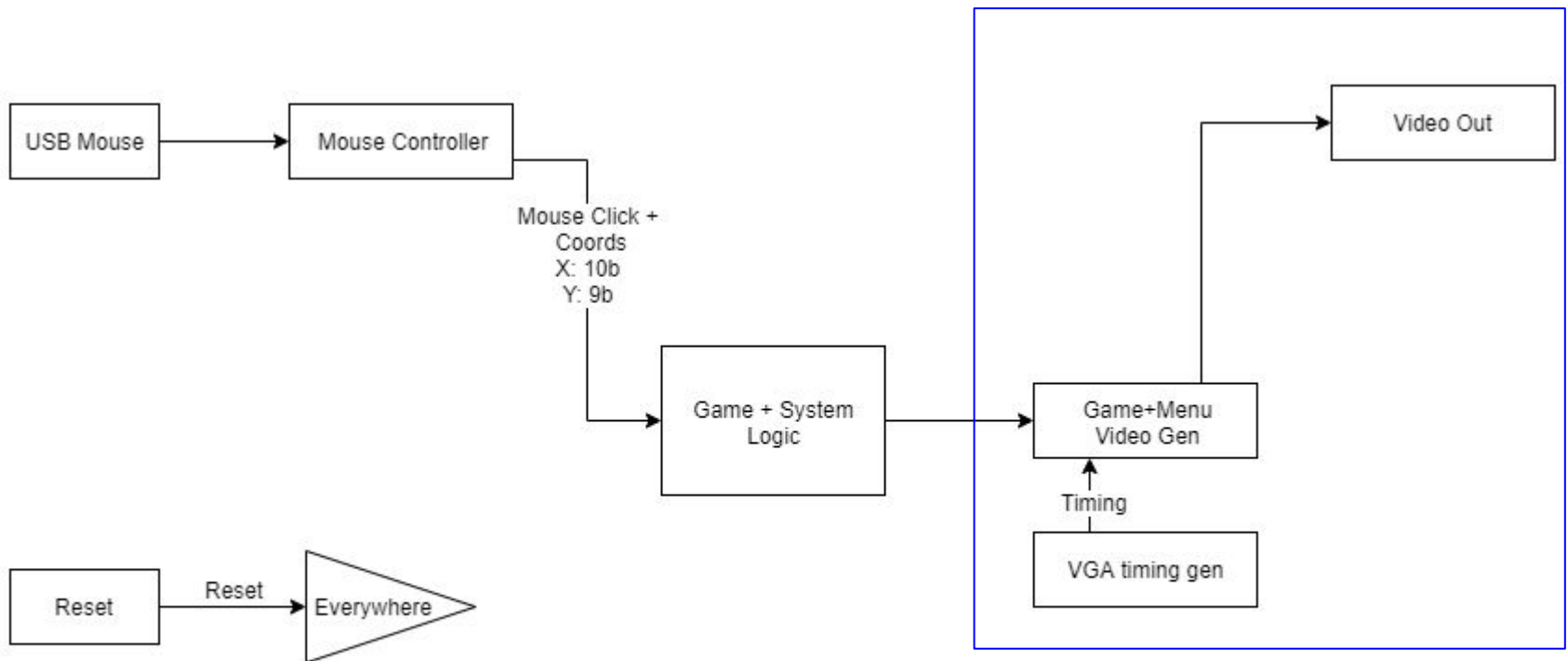




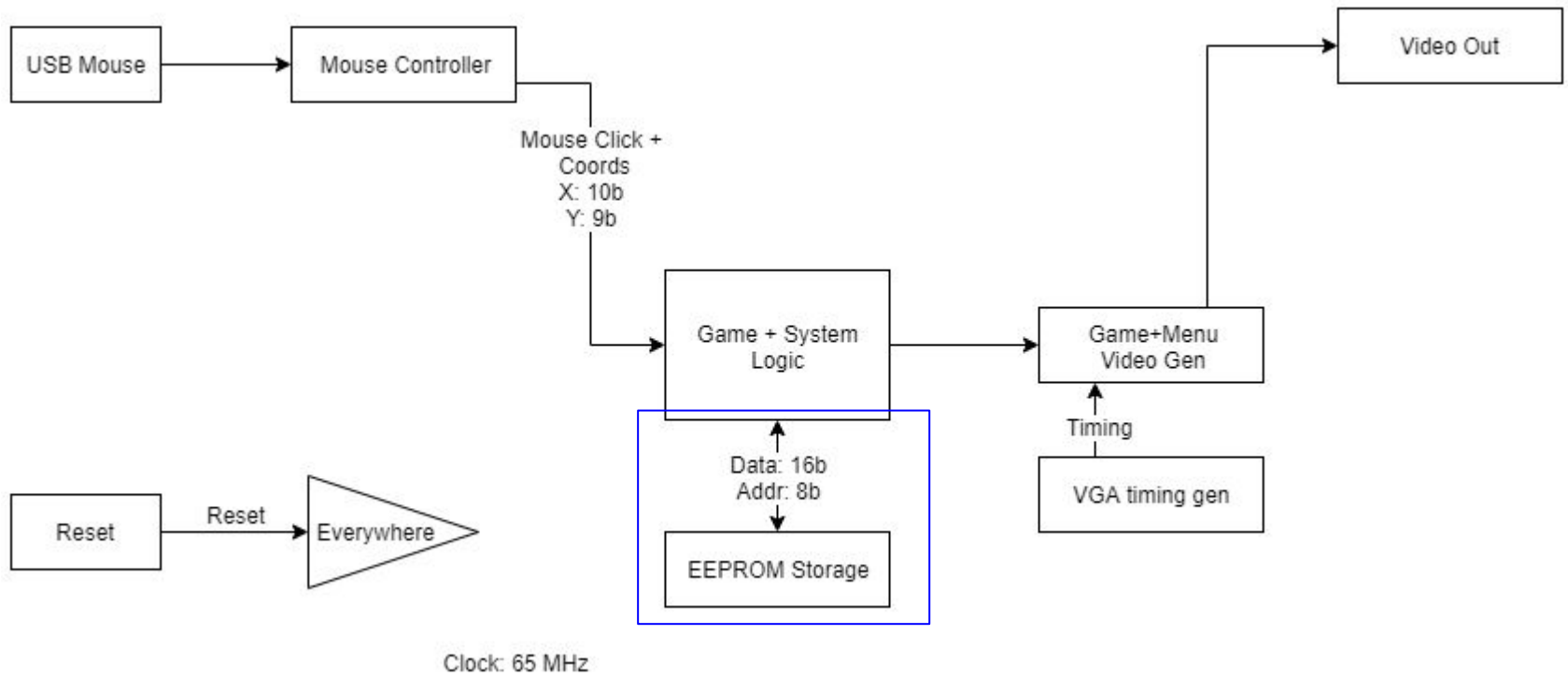
Clock: 65 MHz

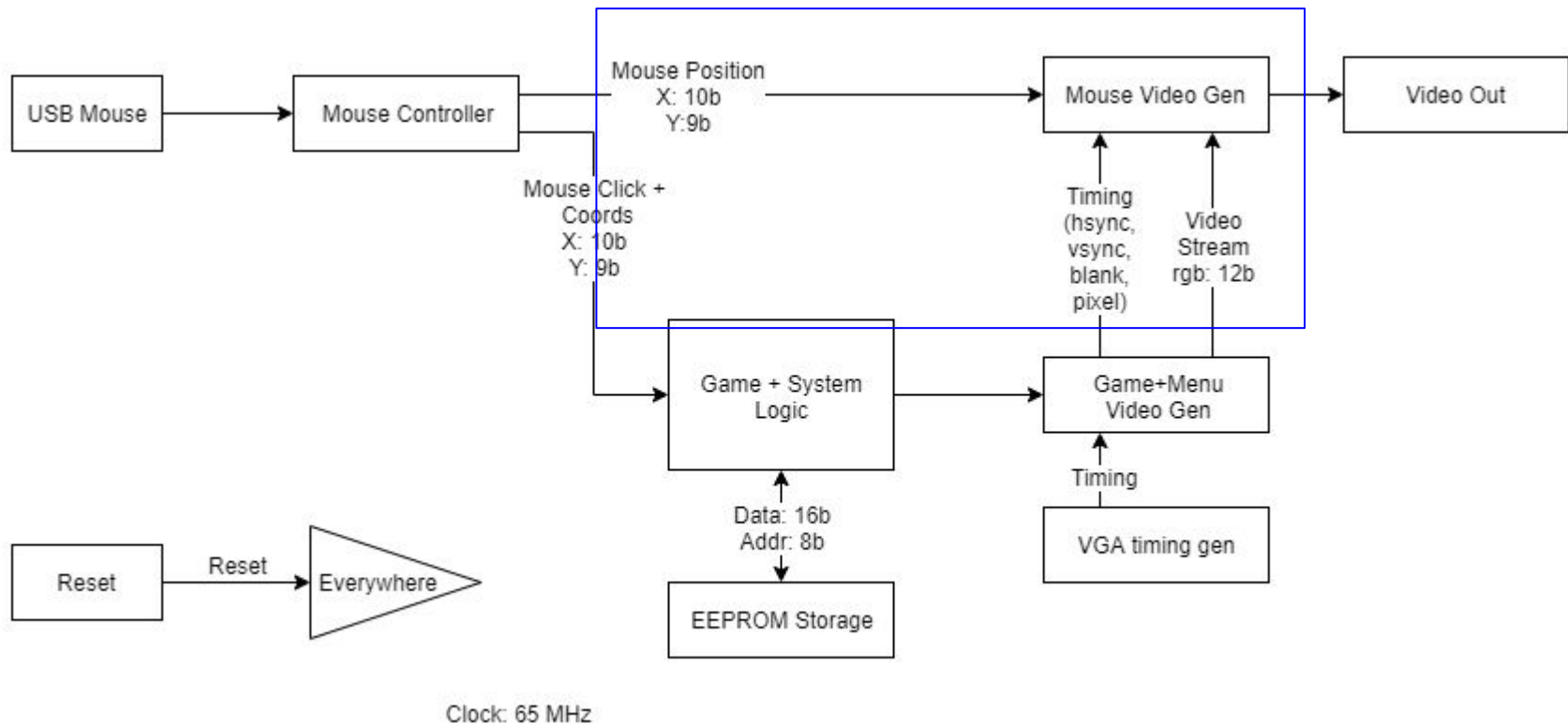


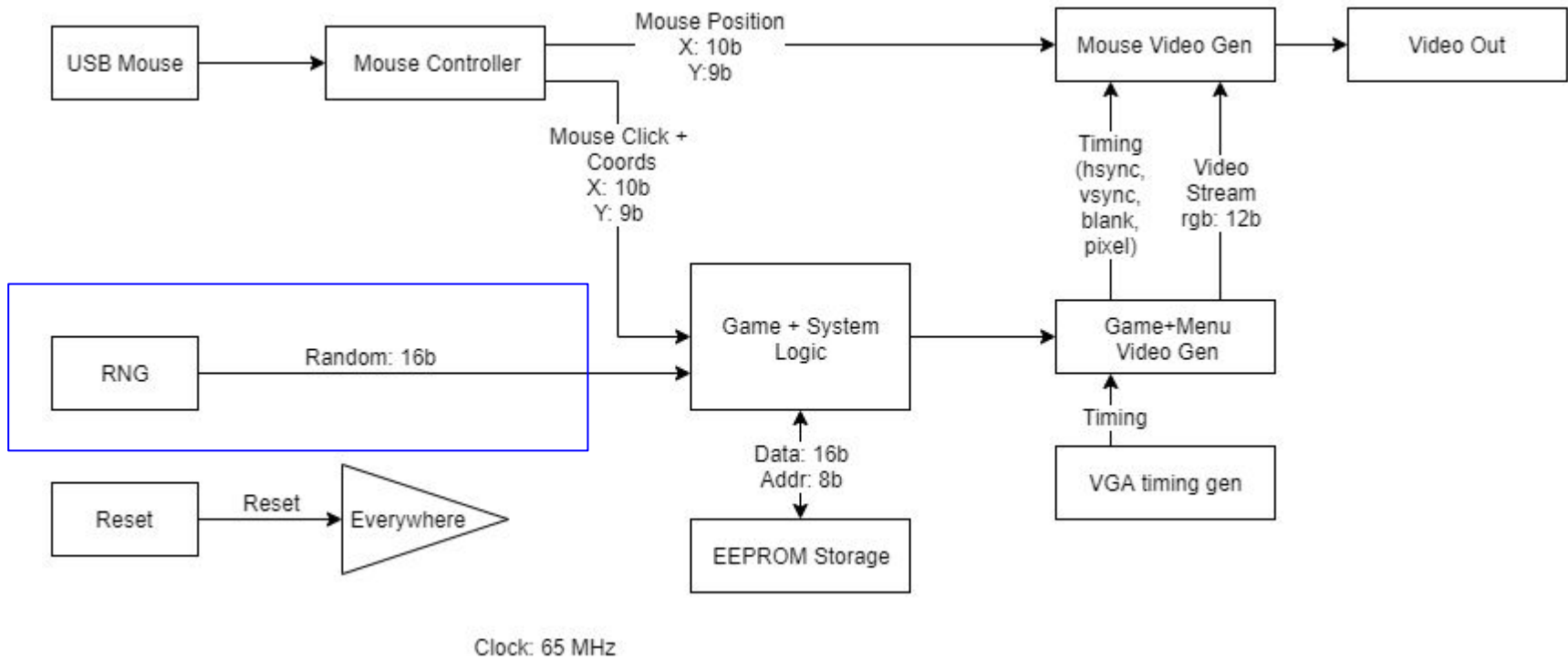
Clock: 65 MHz

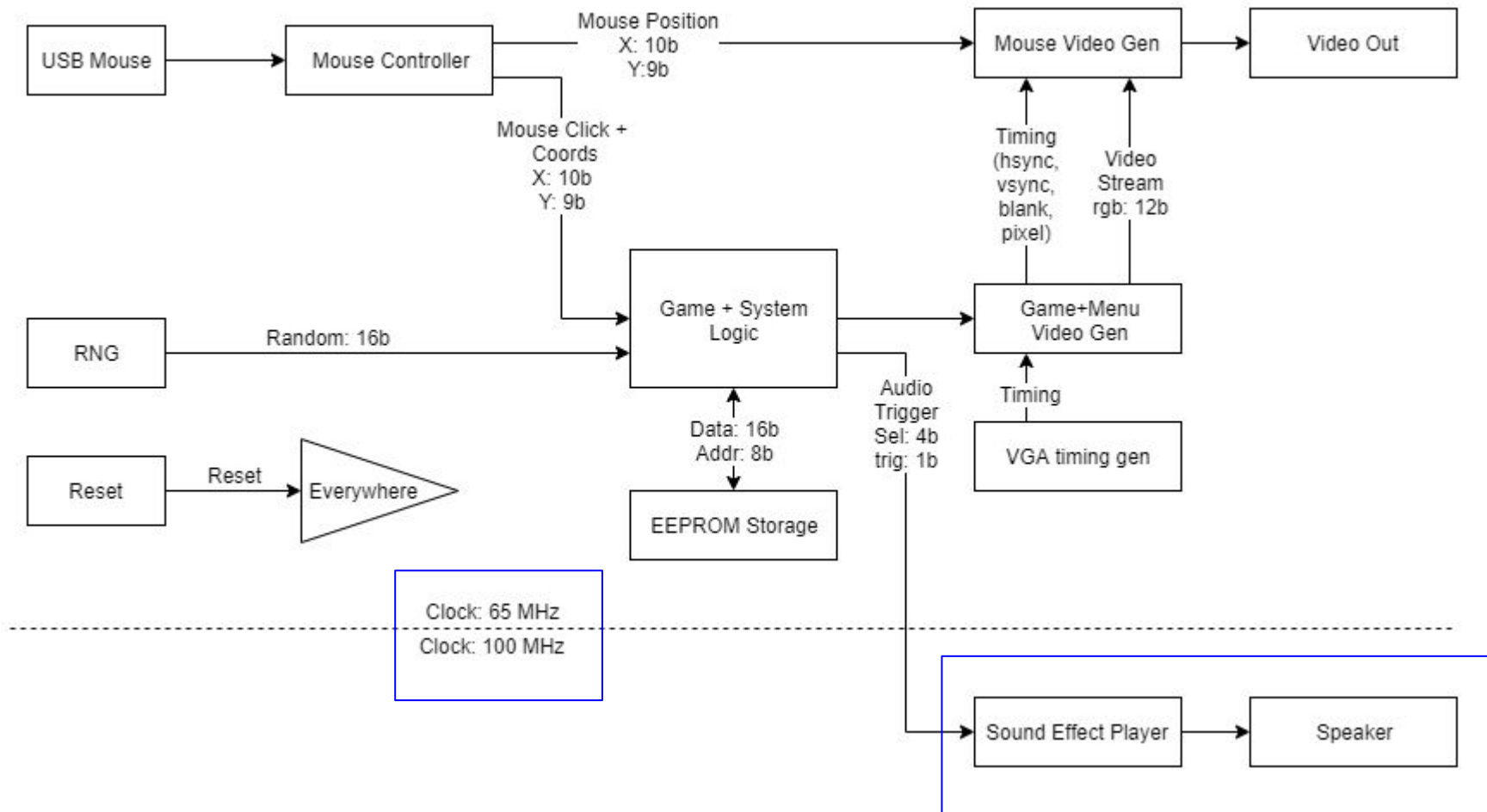


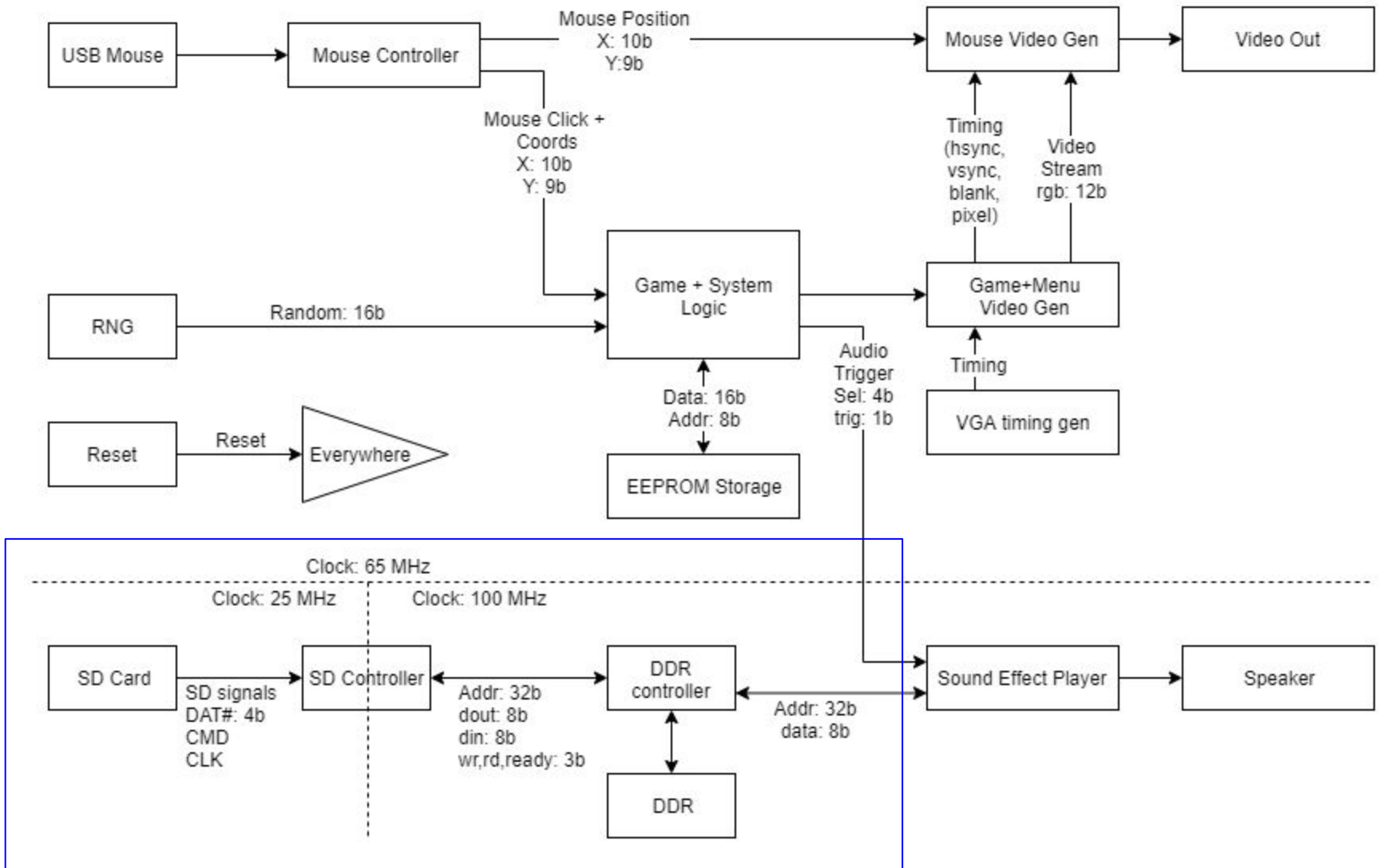
Clock: 65 MHz



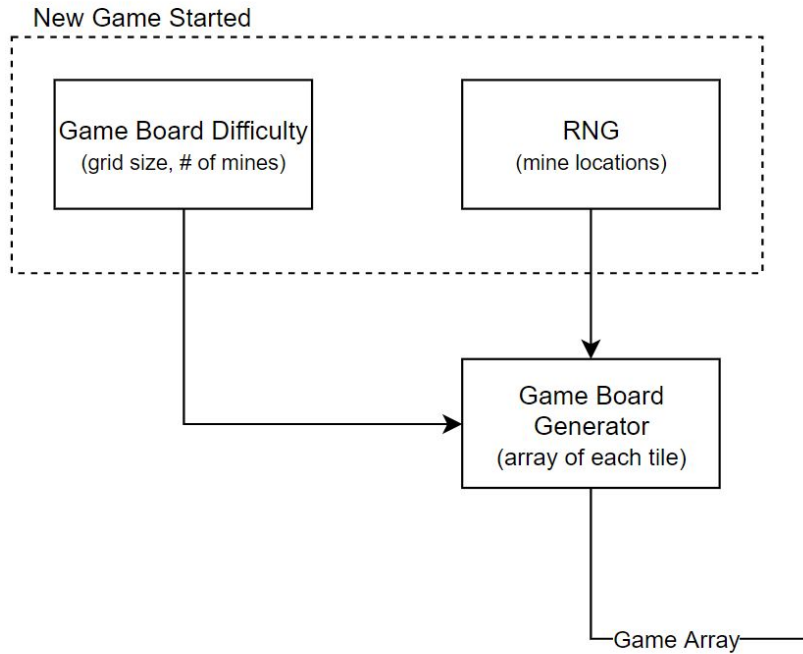




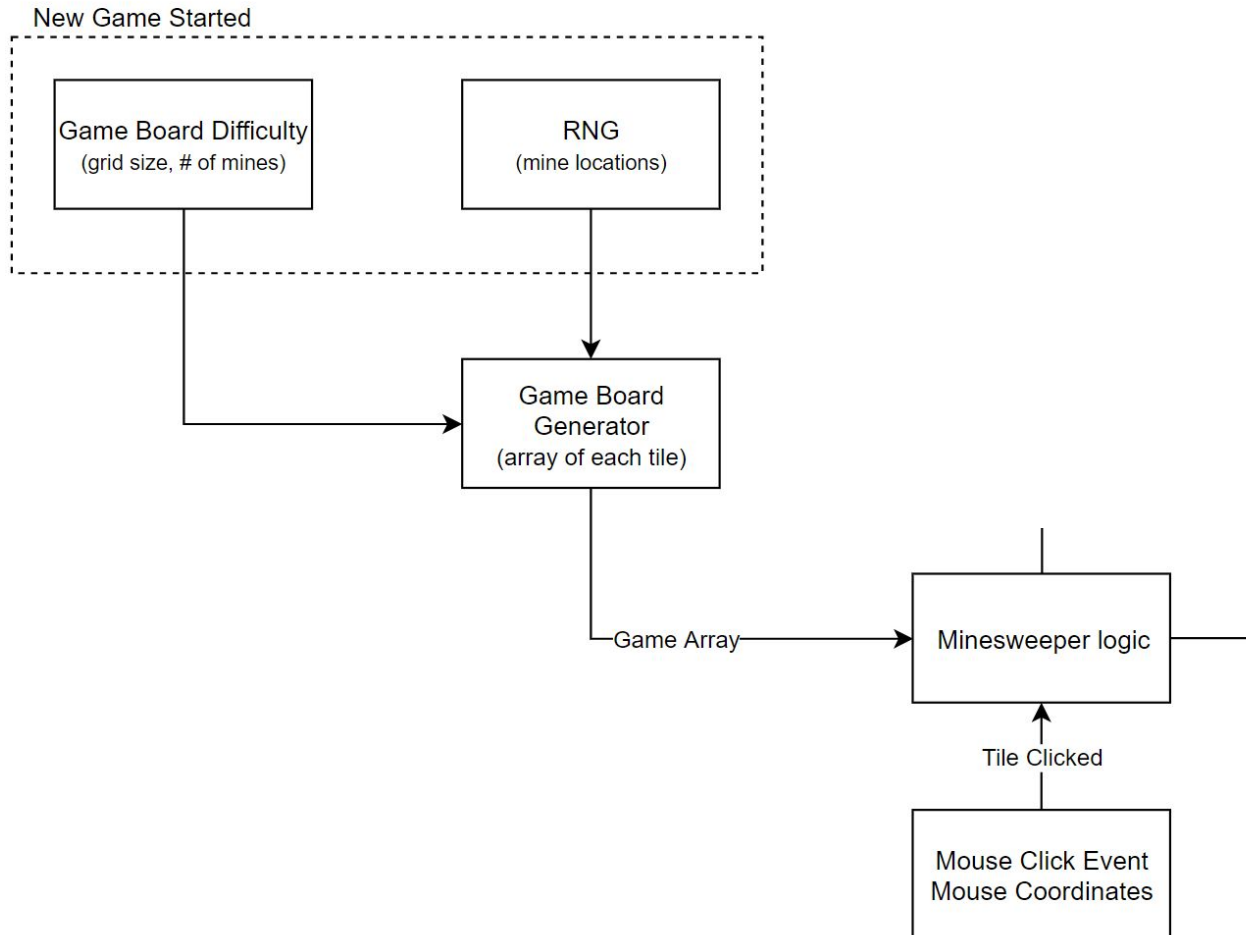




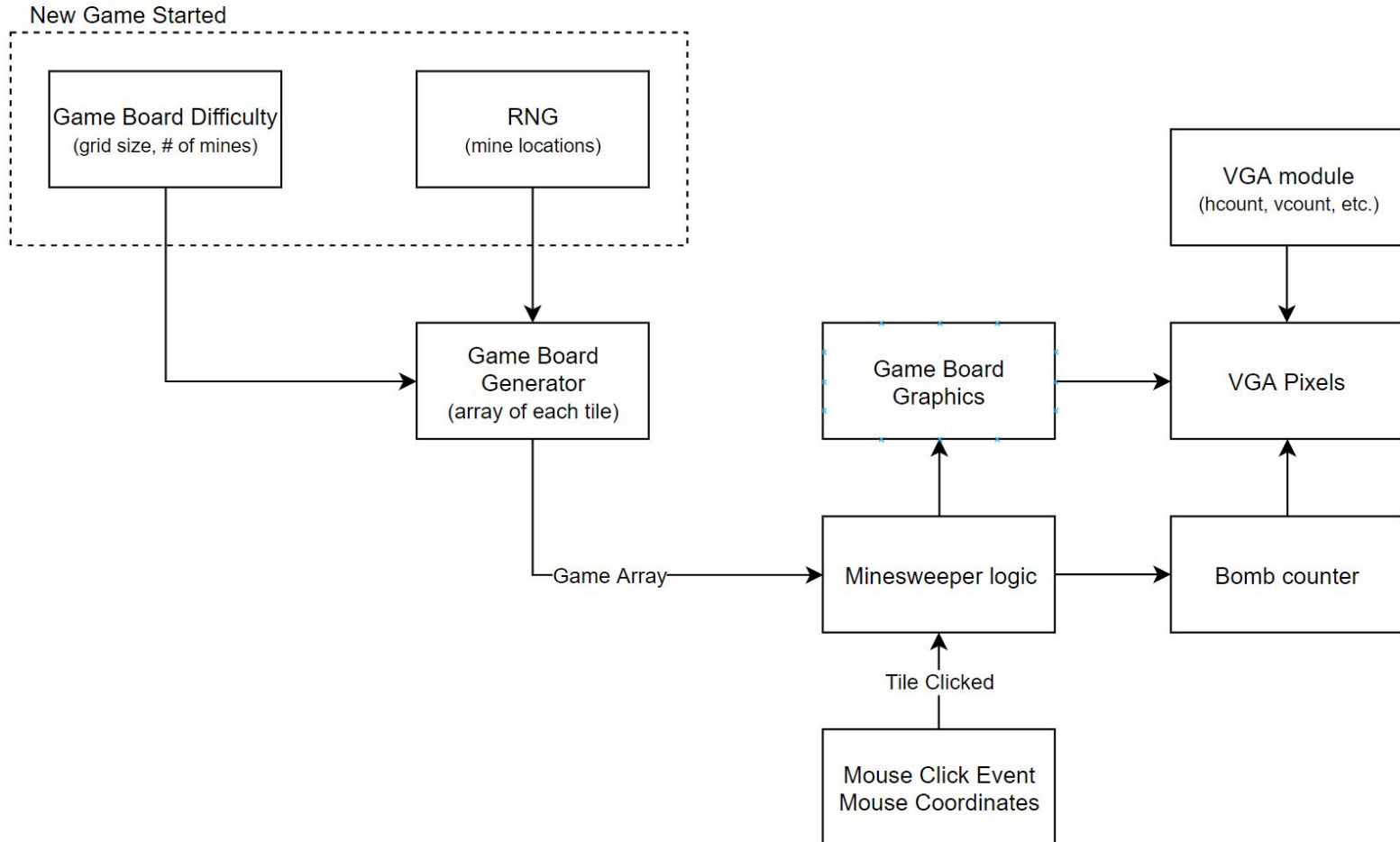
Logic Block Diagram



Logic Block Diagram



Logic Block Diagram



Timeline

11/8: Module interfaces written in verilog, high-level test benches created.

11/15: Game logic working for single difficulty. USB-HID (mouse) module working

11/22: Game logic + video gen, USB-HID, VGA fully working at single difficulty

11/27: Multiple game difficulties, SD-Card working, audio finishing up, leaderboard and end-game sequence finishing up

12/6: Project completed. Additional features potentially implemented such as multiplayer, snowflakes on screen, etc.

Questions?